

1394 FIREWIRE EXTENDER VIA CAT5E/6

Extend a 1394 FireWire device up to 85 meters



XTENDEX® ST-C51394-250 (Front and Back)

Features & Applications

The XTENDEX® 1394 FireWire Extender extends one FireWire device up to 85 meters using CAT7 solid 600 MHz STP cable, 76 meters using CAT6 550 MHz solid cable and 70 meters using CAT5e solid cable.

- Works at speeds of 400, 200 and 100 Mbps.
- Extend a firewire device up to 76 meters.
 - Using CAT7 solid 600 MHz cable, extend up to 85 meters.
 - Using CAT6 solid 550 MHz cable, extend up to 76 meters.
 - Using Cat5e cable, extend up to 46 meters.
- Supports Plug-n-Play specifications.
- Pure hardware design, no software or drivers required.
- Ideal solution for a wide range of applications, including:
 - A/V broadcasting and editing (printers, scanners, digital cameras, digital audio recorders).
 - Security (surveillance cameras, webcams, mass storage).
 - Long range IEEE FireWire networking.

Specifications

- Compatible with computers with 6-pin or 9-pin 1394 connectors.
- Full duplex data rate at 100/200/400 Mbps.

Connectors

- One female IEEE 1394 9-pin connector on each local and remote unit.
- One female RJ45 connector on each local and remote unit.

Dimensions

- WxDxH(mm) 76x56x25

Power

- Supports self-powered devices.
- Local unit: powered by attached computer through FireWire cable.
- Remote unit: 110 or 220 VAC at 50 or 60 Hz via AC adapter.
- Power consumption: 2.7W

Enviromental

- Operating temperature: 32°F to 122°F (0°C to 50°C).

Regulatory Approvals

- CE, FCC, RoHS

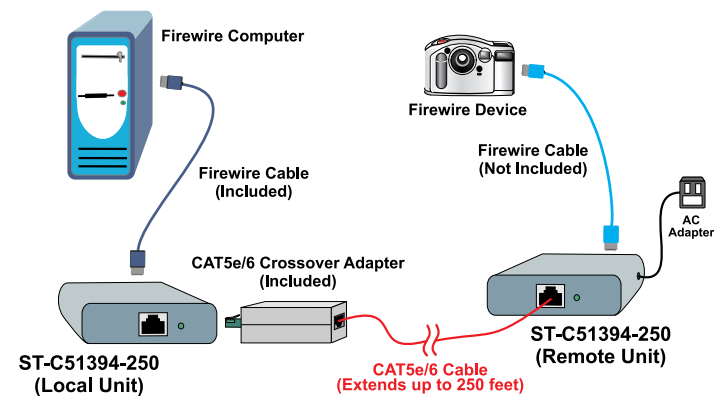
Cables

- For best results, CAT6 550 MHz UTP solid cable or CAT7 600 MHz STP solid cable with TIA/EIA-568B wiring terminated with standard RJ45 connectors is recommended.
- Use the included crossover adapter to enable proper communication between local and remote units.

Package Includes

- 1394 FireWire Extender – local and remote unit.
- User manual.
- Power adapter.
- 6-inch male 9-pin 1394b bilingual to male 6-pin 1394a cable.
- Male-to-female CAT5e/6 RJ45 crossover adapter.

Configuration and Cable Illustrations



Distances for CAT5e/CAT6/CAT7 Cable

Cable	Distance (m)
CAT5e Solid UTP	70
CAT6 Solid UTP	61
CAT6 Solid STP	61
CAT6 550 MHz Solid UTP	75
CAT7 600 MHz Solid STP	85