

4K 18Gbps HDMI Extender Over IP with IR and RS232

XTENDEX®

Extend an Ultra-HD 4Kx2K 60Hz 4:4:4 HDMI display up to 328 feet (100 meters) using 10-Gigabit Ethernet.

- Supports Ultra-HD 4Kx2K resolutions to 3840x2160 and 4096x2160@30/50/60Hz YUV 4:4:4, and HDTV resolutions to 1080p @120Hz.
 - Extend 4K@60Hz up to 328 feet using CAT6a/7 cable.
 - ♦ In a Point-to-Many or Many-to-Many connection, the max length between the switch and the local/remote unit is 164 feet.
 - Extend 1080p@60Hz up to 400 feet using CAT6/6a/7 cable.
 - ♦ In a Point-to-Many or Many-to-Many connection, the max length between the switch and the local/remote unit is 200 feet.
 - Refer to the resolution chart in the specifications section for resolutions using different CATx cable types and lengths.
- HDMI features supported:
 - HDMI 2.0b
 - 10-bit, 12-bit, and 36-bit Deep Color
 - Dolby TrueHD, DTS-HD Master Audio, Dolby Digital+, and LPCM 7.1CH
 - YUV 4:4:4, 4:2:2, and RGB
 - Bandwidth up to 600 MHz (18Gbps)
 - 3D (1080p @60Hz)
 - HDR
- HDCP 2.2 compliant.
- Bi-directional Infrared Remote (IR) control of HDMI source or display. IR transport channel can be forward or backward per the installation.
- Support full-duplex RS232 at 57600 baud.
- Plug-and-Play installation allows receivers to find the transmitter automatically on the same network. (Network configuration may be required for managed network switch.)
 - When extending 1080p@120Hz, it is recommended to turn off the video source before connecting the transmitter and receiver.
- Easily expandable – add receivers as you add control stations.



XTENDEX® ST-IP4K18GB-RS (Local & Remote Unit)

- Supports Point-to-Point, Point-to-Many, & Many-to-Many connections
- Resolutions to Ultra-HD 4Kx2K 60Hz 4:4:4
- 18Gbps bandwidth
- HDMI 2.0
- IR, RS232 control

The XTENDEX® 4K HDMI 18Gbps Over IP Extender multicasts 4K HDMI 18Gbps digital video and audio signals to one or more receivers up to 328 feet away (100 meters) over a 10-Gigabit Ethernet network using a single CAT6/6a/7 cable.

The extender consists of a local unit that connects to a 4K HDMI source, and a remote unit that connects to a 4K HDMI display. The local and remote units can be connected together for a Point-to-Point connection via CAT6/6a/7 cable, or a Point-to-Many or Many-to-Many connection via a 10-Gigabit network switch. Support for multiple transmitters requires a managed 10GB network switch.

Specifications

Local Unit

- Compatible with a computer or Ultra-HD video source with HDMI output.
- One female HDMI connector for source.
- 3-pin screw terminal for audio out.
- Two female 3.5mm ports for connecting an IR emitter and receiver (included).
- 3-pin screw terminal for RS232.
- Support full-duplex RS232 at 57600 baud.
- One female 10G Base-T RJ45 port for sending high definition video/audio signals, IR signal, CEC signal, and DDC signal.
- Supports HDCP 2.2

Remote Unit

- One female HDMI connector for display.
- 3-pin screw terminal for audio out.
- Two female 3.5mm ports for connecting an IR emitter and receiver (included).
- 3-pin screw terminal for RS232.
 - Support full-duplex RS232 at 57600 baud.
- One female 10G Base-T RJ45 port for receiving high definition video/audio signals, IR signal, CEC signal, and DDC signal.
- Supported video resolutions:
 - Ultra-HD 4Kx2K 4:4:4 resolutions (3840x2160 and 4096x2160 @30/50/60Hz)
 - HDTV resolutions to 1080p (1080p@120Hz, 1080p 3D@60Hz)
- Supports HDCP 2.2
- Max data rate: 18Gbps
- Supports embedded digital audio through HDMI compatible TVs or audio receivers.

4K 18Gbps HDMI Extender Over IP with IR and RS232

XTENDEX®

Extend an Ultra-HD 4Kx2K 60Hz 4:4:4 HDMI display up to 328 feet (100 meters) using 10-Gigabit Ethernet.

Specifications (continued)

Environmental

- Operating temperature: 32 to 104°F (0 to 40°C).
- Storage temperature: -4 to 140°F (-20 to 60°C).
- Operating/storage relative humidity: 20 to 90% non-condensing RH

Power

- Local and remote unit:
 - Input: 100 to 240 VAC at 50 or 60 Hz via AC adapter (included).
 - Output: 12VDC, 2.5A

Dimensions

- WxDxH (in): 5.91x3.86x1.26 (150x98x32 mm).

Regular Approvals

- CE, FCC, RoHS

Warranty

- Two years

Cables

- Interface cables between the video source/display and the transmitter/receiver are required for proper operation.
 - Supports cable lengths to 20 feet for 4Kx2K resolutions and 50 feet for 1080p.
 - Longer cable lengths can be used provided they have a built-in video equalizer (also known as “active HDMI cables”).
- Use HD-xx-MM cable to connect an HDMI source or display (not included).
- Use DVI-HD-xx-MM cable to connect DVI source or display (not included).
 - Does not support 4Kx2K resolutions.
- Use HD-RM-xx-MM 4K HDMI RedMere Active Cables to connect an HDMI source or display up to 100 feet (not included).
 - Supports resolutions to 4K@30Hz.
- Use CAT6/6a/7 cable terminated with standard RJ45 connectors (not included)
- Cables not included.

Max Distance

- Extend 4K@60Hz up to 328 feet (100 meters) using CAT6a/7 cable.
 - In a Point-to-Many or Many-to-Many connection, the max length between the switch and the local/remote unit is 164 feet (50 meters).
- Extend 1080p@60Hz up to 400 feet (122 meters) using CAT6/6a/7 cable.
 - In a Point-to-Many or Many-to-Many connection, the max length between the switch and the local/remote unit is 200 feet (61 meters).

Distances & Resolutions for CAT6, CAT6a and CAT7 Cables

Cable	Distance	Maximum Resolutions
CAT6	400 feet (122 meters)	1080p@60Hz
	300 feet (91 meters)	4K@30Hz
	200 feet (61 meters)	1080p 3D
CAT6a	400 feet (122 meters)	1080p@60Hz
	328 feet (100 meters)	4K@60Hz, 1080p@120Hz
	200 feet (61 meters)	1080p 3D
CAT7	400 feet (122 meters)	1080p@60Hz
	328 feet (100 meters)	4K@60Hz, 1080p@120Hz
	200 feet (61 meters)	1080p 3D

4K 18Gbps HDMI Extender Over IP with IR and RS232 Models

NTI Part #	Local or Remote Unit
ST-IP4K18GB-L-RS	Local
ST-IP4K18GB-R-RS	Remote

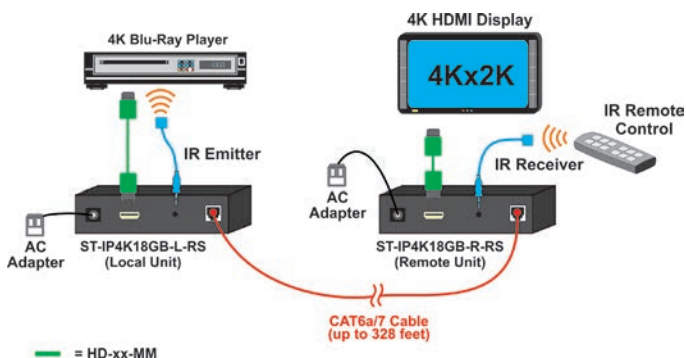
4K 18Gbps HDMI Extender Over IP with IR and RS232

XTENDEX®

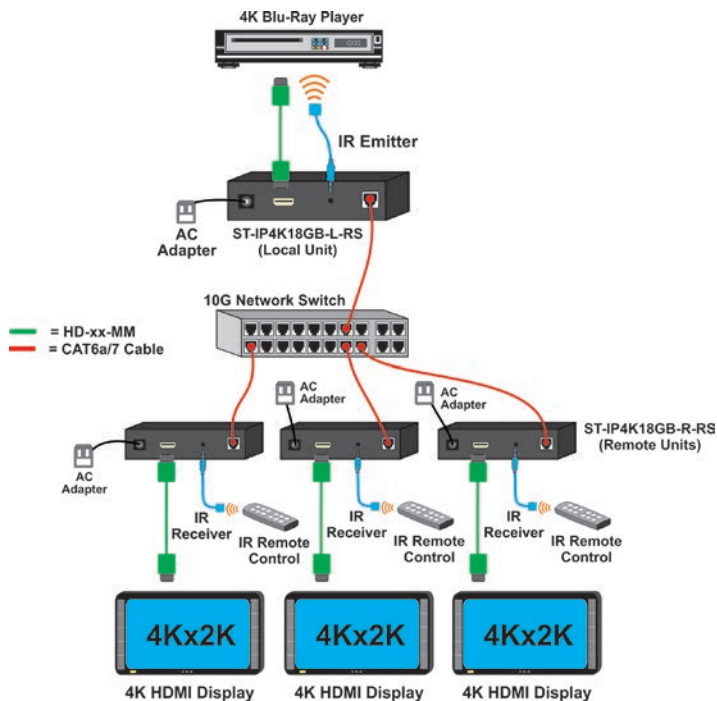
Extend an Ultra-HD 4Kx2K 60Hz 4:4:4 HDMI display up to 328 feet (100 meters) using 10-Gigabit Ethernet.

Configuration and Cable Illustrations

Point-to-Point Connection



Point-to-Many Connections



Many-to-Many Connections

