

4K HDMI USB KVM Extender via Fiber

XTENDEX®

Extend 4Kx2K HDMI monitor, USB keyboard, USB mouse and RS232 up to 4,590 feet (1400 meters)

- Signal transmission via two-strand singlemode or multimode LC fiber optic cable.
 - Using singlemode cable, extend to 4,590 feet (1400 meters).
 - Using multimode cable, extend to 1,640 feet (500 meters).
- Supports Ultra-HD 4Kx2K resolutions to 3840x2160 (30Hz), 2K resolution 2048x1080, HDTV resolutions to 1080p, and computer resolutions to 1920x1200.
- HDMI features supported:
 - HDMI 1.4
 - x.v.Color, sYCC601 color, Adobe RGB Color and Adobe YCC601 color
 - Dolby TrueHD, LPCM7.1 , DTS-HD Master Audio, Dolby Digital, and DTS
 - Bandwidth up to 340 MHz (10.2 Gbps).
 - Support for CEC (consumer electronic control) compatible devices.
 - Lip Sync
- HDCP compliant.
- Supports the DDC2B protocol.
- USB ports for keyboard, mouse and touch screen.
 - Keyboard and mouse are hot-pluggable.
 - Keep-alive keyboard/mouse emulation for flawless operation.
- Compliant with USB 2.0 (low/full/high speed) standards.
- Support full-duplex RS232 up to 115200 baud.
- Low RFI/EMI for sensitive applications.
- Integrated mounting brackets for easy surface/wall mounting.

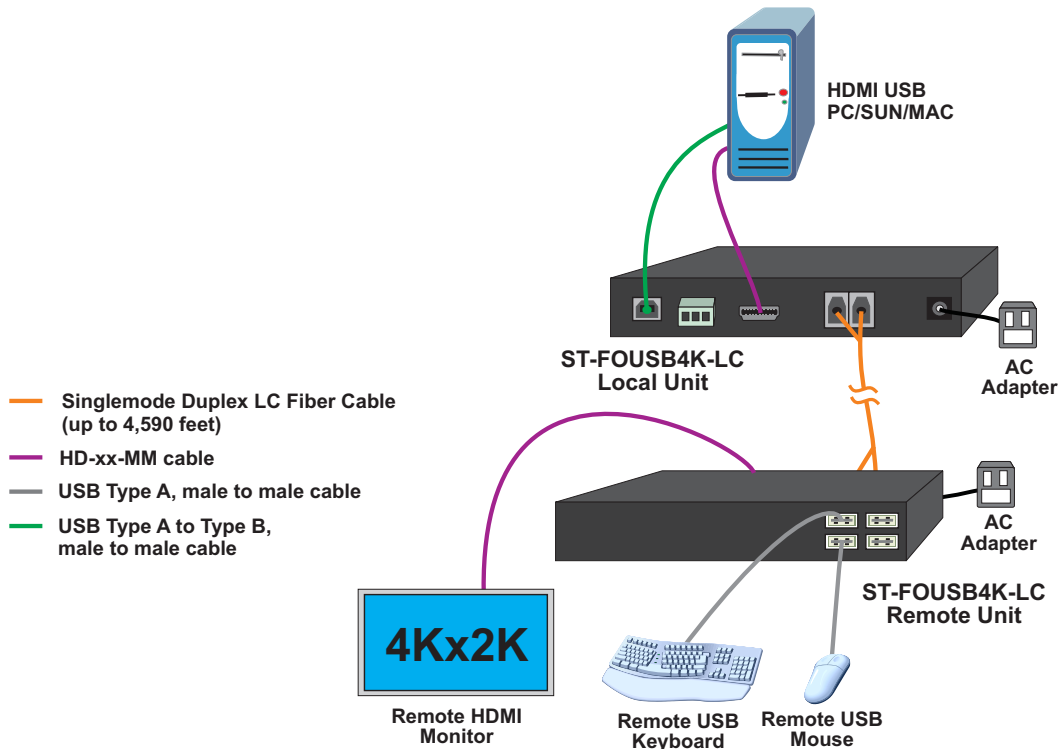


XTENDEX® ST-FOUSB4K-LC
(Remote & Local Unit)



The XTENDEX® 4K HDMI USB KVM Extender via Fiber provides remote KVM (USB keyboard, USB mouse and 4Kx2K UHD HDMI monitor) access to a USB computer up to 4,590 feet (1400 meters) away via a duplex LC fiber optic cable. Each KVM extender consists of a local unit that connects to a computer, and a remote unit that connects to a keyboard, monitor and mouse.

Configuration and Cable Illustration



Extend 4Kx2K HDMI monitor, USB keyboard, USB mouse and RS232 up to 4,590 feet (1400 meters)

Specifications

Local Unit

- Compatible with a USB computer (PC, SUN and MAC) with Ultra-HD HDMI output.
- Multiplatform support: Windows 2000/XP/Vista/7/8/10, Windows Server 2000/2003/2008/2012, Solaris, Linux, FreeBSD, and MAC OS 9/10.
- One female HDMI connector.
- One female USB Type B connector.
- Four female USB Type A connectors for connecting USB keyboard and mouse.
- Screw terminal for RS232.

Remote Unit

- One female HDMI connector for display.
- Four female USB Type A connectors for connecting USB keyboard, mouse or touch screen.
- One female USB Type B connector for firmware upgrades.
- Screw terminal for RS232.
 - Support full-duplex RS232 up to 115200 baud.
- Supported video resolutions:
 - Ultra-HD 4Kx2K resolutions (3840x2160 @ 30Hz)
 - 2K Cinema (2048x1080 @ 60Hz)
 - HDTV resolutions to 1080p
 - Computer resolutions to 1920x1200
- Supports embedded digital audio through HDMI compatible TVs or audio receivers.

Dimensions

- WxDxH (in): 5.91x4.33x1.10 (150x110x28 mm)

Power

- Local and remote unit:
 - Input: 100 to 240 VAC at 50 or 60 Hz via AC adapter.
 - Output: 12 VDC, 2A

Environmental

- Operating temperature: 32 to 158°F (0 to 70°C).
- Storage temperature: -40 to 212°F (-40 to 100°C).
- Operating/storage relative humidity: 0 to 80% non-condensing RH.

Regulatory Approvals

- TAA compliant

Max Distance

- 4,590 feet (1400 meters) over 9µm singlemode duplex LC fiber optic cable.
- 1,640 feet (500 meters) over 50µm multimode LC duplex fiber optic cable.

Cables

- Use a FIBER-D-LCLC-50-xxM duplex multimode LC 50-micron fiber optic cable to extend the receiver from the transmitter up to 1,640 feet (500 meters).
- Use a duplex singlemode LC 9-micron fiber optic cable to extend the receiver from the transmitter up to 4,590 feet (1400 meters).
- Includes 4.25 ft (1.3 m) male to male HDMI cable to connect an HDMI source or display.
- Includes 6 ft (1.8 m) male USB Type A to male USB Type B cable to connect source.

Warranty

- Two years