

DVI Splitter/Extender via Multimode Fiber Optic Cable

VOPEX®

Drive up to 4 displays from one DVI video source up to 3,280 ft (1,000 meters)

- Broadcast real-time DVI video to multiple display locations.
- Supports crisp and clear resolutions to 1920x1200.
- Signal transmission via single strand multimode SC fiber optic cable – no RF interference.
- Transmitter and receivers have small form factor for easy connection and placement.
- Cables can be installed in conduit prior to transmitter/receiver installation.
- EDID learning for the support of any DVI display device.
- Complies with DVI 1.0 standard.
- Ideal solution for digital signage applications.



VOPEX-FODVI-SC4 Optical Splitter and ST-1FODVI-R-SC Remote Unit (Front & Back)

The VOPEX® DVI Splitter/Extender simultaneously distributes high resolution DVI video to up to four displays up to 3,280 feet (1,000 meters) from a computer using single-strand SC multimode fiber optic cable.

The VOPEX system consists of three components: the optical splitter, which connects to the transmitter and receivers; the transmitter, which connects to the host DVI video source; and a receiver for each remote DVI display. The units are interconnected by single-strand multimode SC fiber optic cable.

Specifications

Optical Splitter

Connectors

- Five SC fiber connectors

Cables

- Use a FIBER-S-SCSC-50-xM (simplex multimode SC 50-micron) multimode fiber optic cable to extend the receiver from the transmitter up to 3,280 feet (1,000 meters), not included
- Cables not included

Power

- Powered from computer connected to transmitter

Dimensions

- WxDxH: 4.72x4.06x0.94 in (120x103x24 mm)

Warranty

- Two years

Transmitter and Receivers

Video

- Connectors (for transmitter and receivers): one male DVI-D single link connector and one SC fiber connector.
- Supports resolutions up to 1920x1200 (WUXGA); refer to the resolution chart below for resolutions at different lengths.
- EDID learning for the support of any DVI display device.
- Low RFI/EMI.
- Laser Class 1 Safety compliant.
- Optical source: 850nm VCSEL.
- Supports 50/125um SC type multi-mode fiber optic cable.
- Frequency Bandwidth : 1.65Gbps (Single Link)

Power

- Local unit: powered from attached computer.
- Remote unit: 100 to 240 VAC at 50 or 60 Hz via AC adapter. (US AC adapter included.)

Environmental

- Operating temperature: 32°F to 122°F (0°C to 50°C).
- Storage temperature: -4°F to 158°F (-20°C to 70°C).

Regulatory Approval

- FCC, CE

Dimensions

- WxDxH: 1.57x2.64x0.59 in (40x67x15 mm)

Warranty

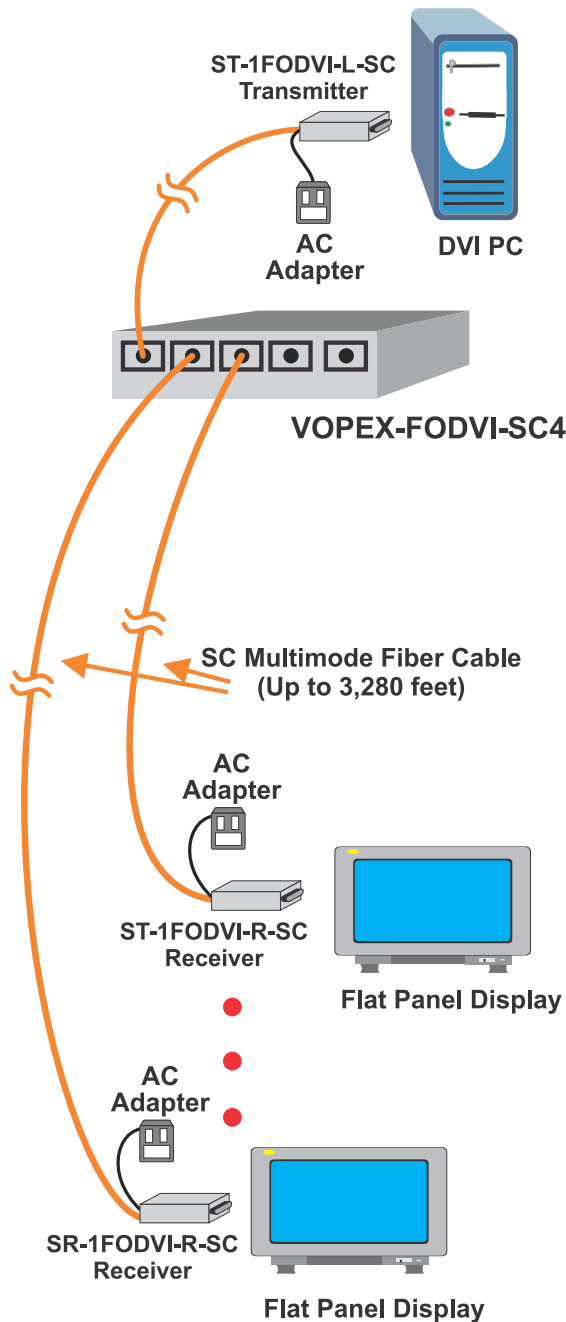
- Two Years

DVI Splitter/Extender via Multimode Fiber Optic Cable

VOPEX®

Drive up to 4 displays from one DVI video source up to 3,280 ft (1,000 meters)

Configuration and Cable Illustration



DVI Splitter/Extender via Multimode Fiber Optic Cable

NTI Part #		# of Ports
VOPEX-FODVI-SC4	Splitter	1 SC Fiber Input, 4 SC Fiber Outputs
ST-1FODVI-L-SC	Transmitter	1 DVI-D for Source, 1 SC Fiber
ST-1FODVI-R-SC	Receiver	1 DVI-D for Display, 1 SC Fiber