

# HDMI EXTENDER WITH OPTIONAL IR VIA ONE CAT5E/6

Extend an HDMI LCD display and optional IR signal up to 300 feet away from the source.

## Available option:

- **IR**



**XTENDEX® ST-C5HDMI-IR-300 Local and Remote Units**

## Features & Applications

The XTENDEX® HDMI Extender transmits digital video and audio signals up to 300 feet using one CAT5e/6 cable. Each video extender consists of a local unit that connects to an HDMI source and optional IR emitter, and a remote unit that connects to an HDMI display and optional IR receiver.

- Ideal solution for digital signage applications.
- Transmits an HDMI signal over one CAT5e/6 cable.
- Available with optional Infrared Remote (IR) control.
  - Full IR control of HDMI source from remote HDTV extension.
- Supports HDTV resolutions to 1080p and computer resolutions to 1920x1200.
- Compliant with HDMI 1.3 and HDCP 1.2 standards.
- Supports the DDC2B protocol.

## Specifications

### Local Unit

- One female HDMI-A port for source connection.
- Optional IR extension support: one female 3.5mm port for IR emitter.
- One female RJ45 port for sending high definition video/audio signals, IR signal, and DDC signal.
- Video quality adjustment for different lengths of CAT5e/6 cable is done manually using 8-position equalization dial.

### Remote Unit

- One female HDMI-A port for HDTV or computer display.
- Optional IR extension support: one female 3.5mm port for IR receiver.
- One female RJ45 port for receiving high definition video/audio signals, IR signal, and DDC signal.
- Signal type: HDMI 1.3, HDCP 1.2 compliant.
- Supports HDTV resolutions to 1080p and computer resolutions to 1920x1200.
  - Resolutions vary at different distances. (Resolution chart coming soon.)
- Supports embedded digital audio through HDMI compatible TVs or audio receivers.

### Power

- 110 or 220 VAC at 50 or 60 Hz via AC adapter (Included).
- Power Consumption: 5W (each - local and remote unit).

### Cables

- Use HDMI-xx-MM cable to connect an HDMI source or display.
- Use CAT5e/6 UTP straight through cable for TIA/EIA-568B wiring terminated with standard RJ45 connectors (not included).

### Environmental

- Operating temperature: 32°F to 122°F (0°C to 50°C).
- Storage temperature: -20°F to 140°F (-30°C to 60°C).
- Operating and Storage Relative Humidity: 5 to 90% non-condensing RH.

### Dimensions

- WxDxH (in): 2.5x3.1x1.1

### Regulatory Approvals

- RoHS

### Warranty

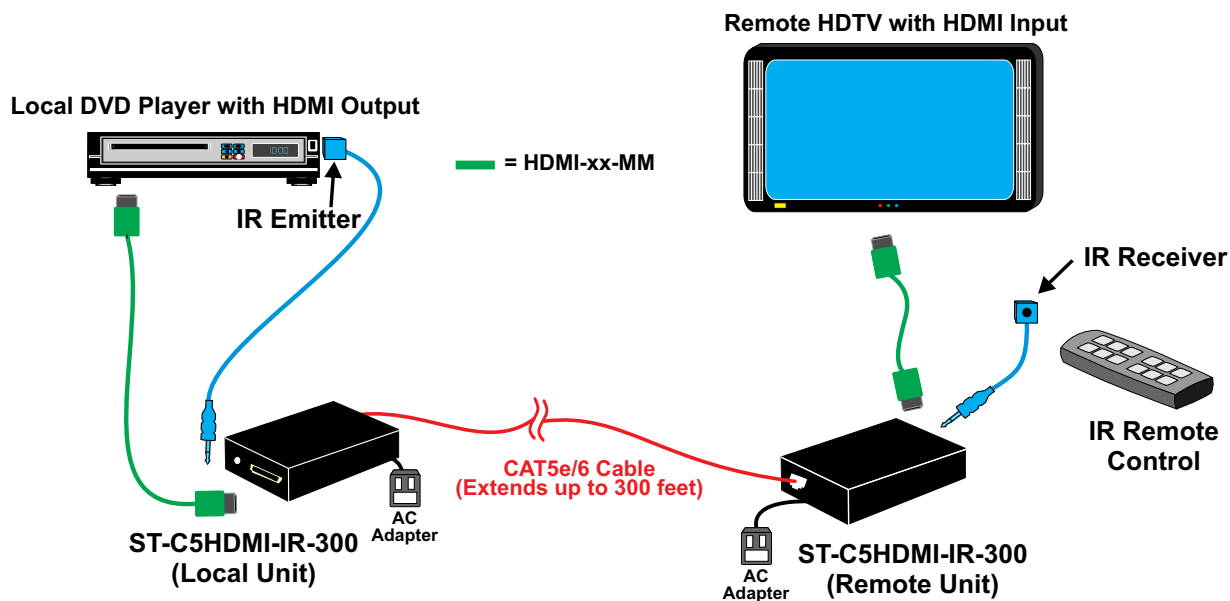
- Two years.



# HDMI EXTENDER WITH OPTIONAL IR VIA ONE CAT5E/6

Extend an HDMI LCD display and optional IR signal up to 300 feet away from the source.

## Configuration and Cable Illustration



330.562.1999  
Worldwide fax



sales@ntigo.com



www.networktechinc.com

© 2009 NTI  
All rights reserved