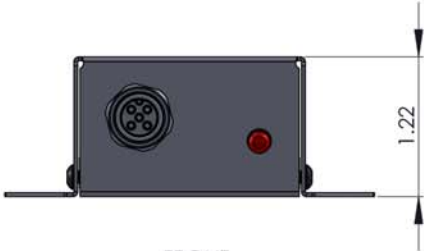
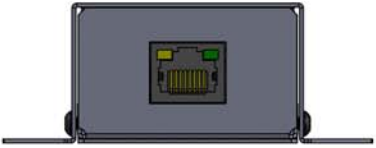


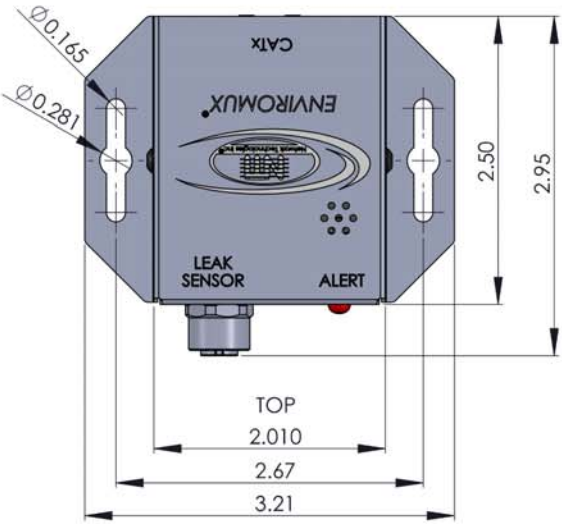
NTI P/N: E-ALDS



FRONT



REAR



DIMENSIONS ARE IN INCHES
 TOLERANCES:
 ANGULAR: MACH ±1/2°
 TWO PLACE DECIMAL ±0.010
 THREE PLACE DECIMAL ±0.005