



**NTI NETWORK  
TECHNOLOGIES  
INCORPORATED**

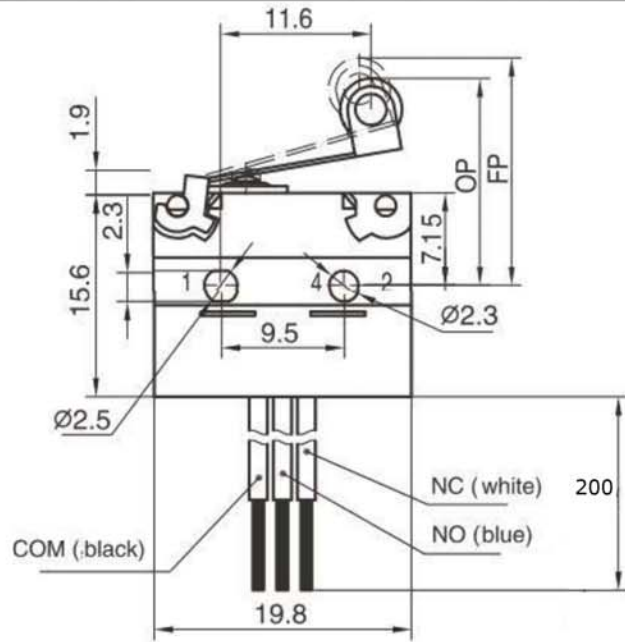
1275 Danner Dr Tel:330-562-7070  
Aurora, OH 44202 Fax:330-562-1999  
www.networktechinc.com



## E-CS-RLIP67-20CM

IP67-Rated Contact Switch with Roller Lever

### ◆ Specifications



UNITS: Millimeters

OF Max(N)	0.60
RF Min(N)	0.15
OT Min(mm)	1.0
MD Max(mm)	0.6
FP Max(mm)	18.5
OP(mm)	16.6 ± 0.8

Item	Value
Operating speed	0.1mm ~ 1m/s ( No lever)
Operating frequency	Mechanical 60 cycles/min;Electrical 25 cycles/min
Insulation resistance	≥ 100MΩ (500VDC)
Contact resistance	Terminal type ≤ 50mΩ Wire type ≤ 100mΩ
Test voltage	Between terminals of the same polarity AC1000V,50/60Hz, 1min
	Between current-carrying metal parts and Ground(case), and between each terminal and non-current-carrying metal parts. AC1500V , 50/60Hz, 1min
Vibration resistance	10 ~ 55Hz, 1.5mm Double amplitude
Shock resistance	endurance: 1000m/S <sup>2</sup> ( approx.100G)max Wrong action:300m/S <sup>2</sup> ( approx.30G)max
Electric shock proof protection grade	Class I
Degree protection provided by enclosure	IEC IP67 ( Besides terminal part of terminal type)
Life	Mechanical ≥ 1,000,000 cycles Electrical ≥ 50,000 cycles
Electrical Rating	0.1A, 125/250VAC
Wires Supplied	24 AWG (BLUE, WHITE, BLACK)
Regulatory Approvals	UL , RoHS