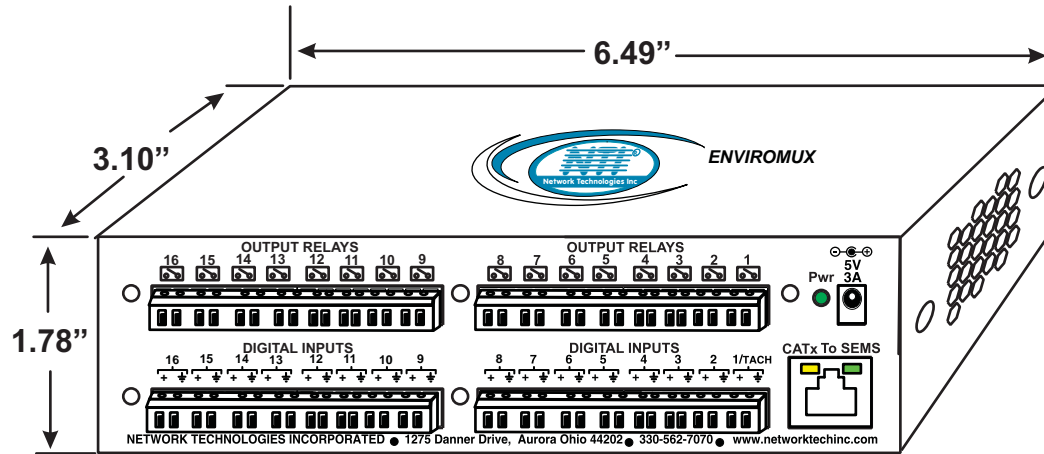
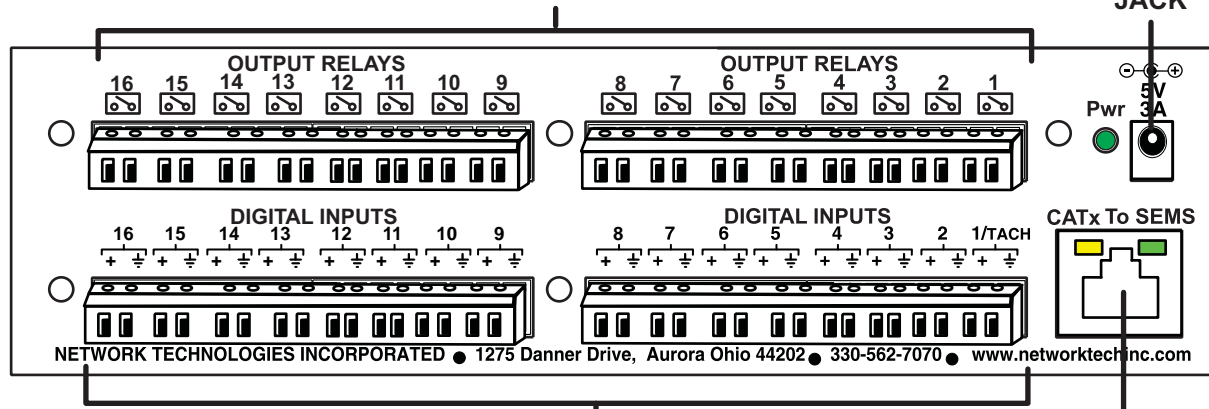


E-DI16DOR16



**CONTROL UP TO 16 DIFFERENT DEVICES WITH
NORMALLY-OPEN RELAY CONTACT OUTPUTS**



**CONNECT UP TO 16 CONTACT SENSORS TO DIGITAL INPUTS
TERMINAL BLOCKS SUPPORT 16 TO 26AWG WIRE**

**RJ45 FEMALE
CONNECT TO
E-xD**