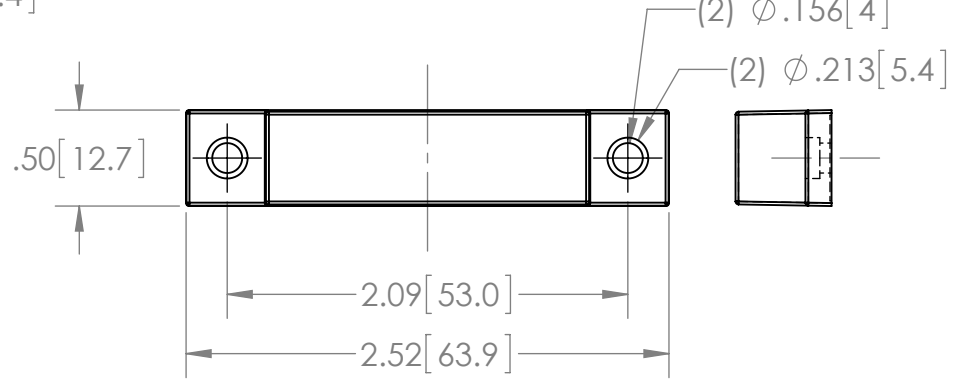
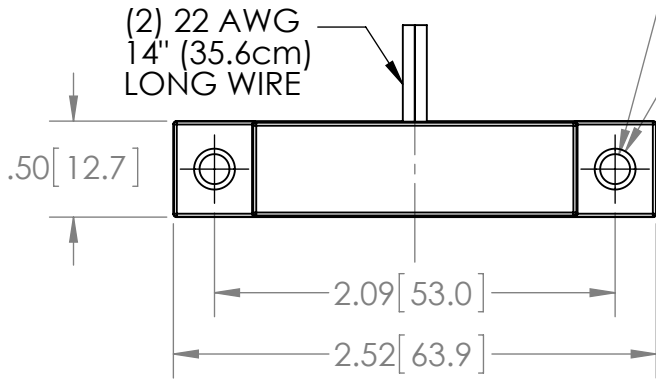
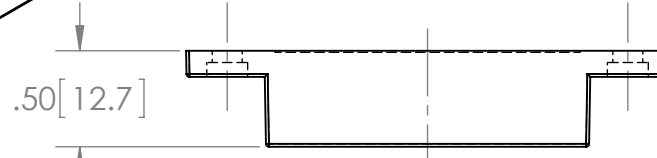
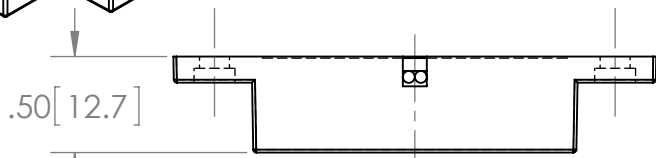
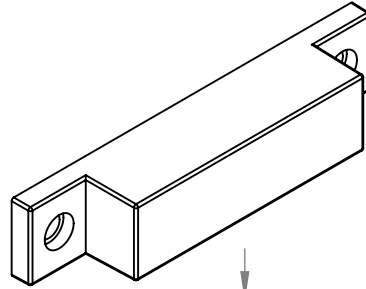
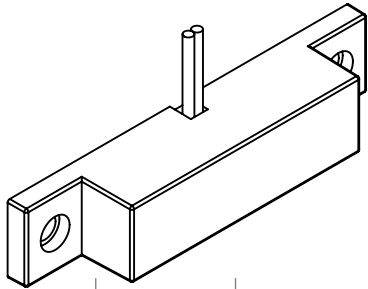


REVISIONS			
REV.	DESCRIPTION	DATE	APPROVED
A	CORRECTED MTG. HOLE LOCATIONS FROM 2.00[50.8] TO 2.09[53.0]	2/9/2018	LS



SWITCH

MAGNET

PROPRIETARY AND CONFIDENTIAL
 THE INFORMATION CONTAINED IN THIS DRAWING IS THE SOLE PROPERTY OF NETWORK TECHNOLOGIES INC. ANY REPRODUCTION IN PART OR AS A WHOLE WITHOUT THE WRITTEN PERMISSION OF NETWORK TECHNOLOGIES INC. IS PROHIBITED.

		UNLESS OTHERWISE SPECIFIED:	NAME	DATE
		DIMENSIONS ARE IN INCHES	DRAWN	LS
		TOLERANCES:	CHECKED	12/13/17
		FRACTIONAL ±	ENG APPR.	
		ANGULAR: MACH ±1/2° BEND ±	MFG APPR.	
		TWO PLACE DECIMAL ±0.010	Q.A.	
		THREE PLACE DECIMAL ±0.005	COMMENTS:	
		INTERPRET GEOMETRIC TOLERANCING PER:		
		MATERIAL		
		FINISH		
NEXT ASSY	USED ON			
APPLICATION		DO NOT SCALE DRAWING		

NETWORK TECHNOLOGIES INC.		
TITLE: ENVIROMUX-M-DCS2 DOOR CONTACT SENSOR		
SIZE A	DWG. NO. EMUX-M-DCS2	REV A
SCALE: 1:1	WEIGHT:	SHEET 1 OF 1