

Dual Photobeam Detector, Indoor/Outdoor

ENVIROMUX-PBD-DO90 Outdoor Range: Up to 90ft (30m)

ENVIROMUX-PBD-DO190 Outdoor Range: Up to 190ft (60m)

ENVIROMUX-PBD-DO290 Outdoor Range: Up to 290ft (90m)

ENVIROMUX-PBD-DO390 Outdoor Range: Up to 390ft (120m)



Features:

- Twin beams provide reliable perimeter security, minimizing false alarms for falling leaves, birds, etc.
- Lensed optics reinforce beam strength and provide excellent immunity to false alarms due to rain, snow, mist etc.
- Weatherproof, sunlight-filtering case
- Non-polarized power inputs
- Anti-frost system
- Automatic input power filtering with special noise rejection circuitry
- NC/NO Alarm output
- NC Tamper circuit included
- "U" Brackets included for pole mounting
- Quick, easy installation with built-in laser beam alignment system

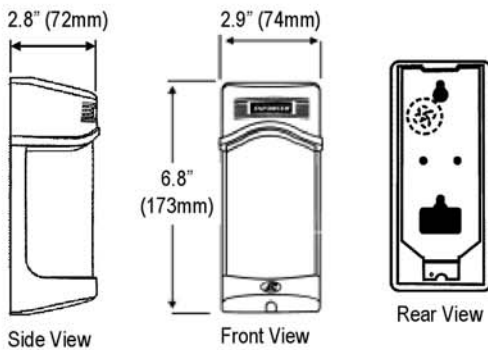
ENVIROMUX-PBD-DO390 also features:

- Four selectable beam frequencies

Laser Beam Alignment:



Dimensions:



Specifications:

Model	E-PBD-DO90	E-PBD-DO190	E-PBD-DO290	E-PBD-DO390
Max. Range (outdoor)	90' (30m)	190' (60m)	290' (90m)	390' (120m)
Max. Range (indoor)	190' (60m)	390' (120m)	590' (180m)	790' (240m)
Current	53mA	62mA	63mA	64mA
Voltage output	1~4V			
Power	10~30 VAC/DC (non-polarized)			
Interrupt speed	50msec~700msec (variable)			
Alarm output	NO/NC relay, 1A@120VAC, minimum 1sec			
Tamper output	N.C. switch, 1A@120VAC			
LEDs	Red	ON indicates transmitter and receiver not aligned or beam is broken		
	Yellow	ON indicates weak receiver signal or beam is broken		
	Green	ON indicates unit connected to power		
Laser wavelength	650nm			
Laser output power	<5mW			
Alignment angle	Horizontal: +90°, vertical: +5°			
Operating temperature	-13°F (-25°C)~131°F (55°C)			
Weight	2.5-lb (1.1kg)			