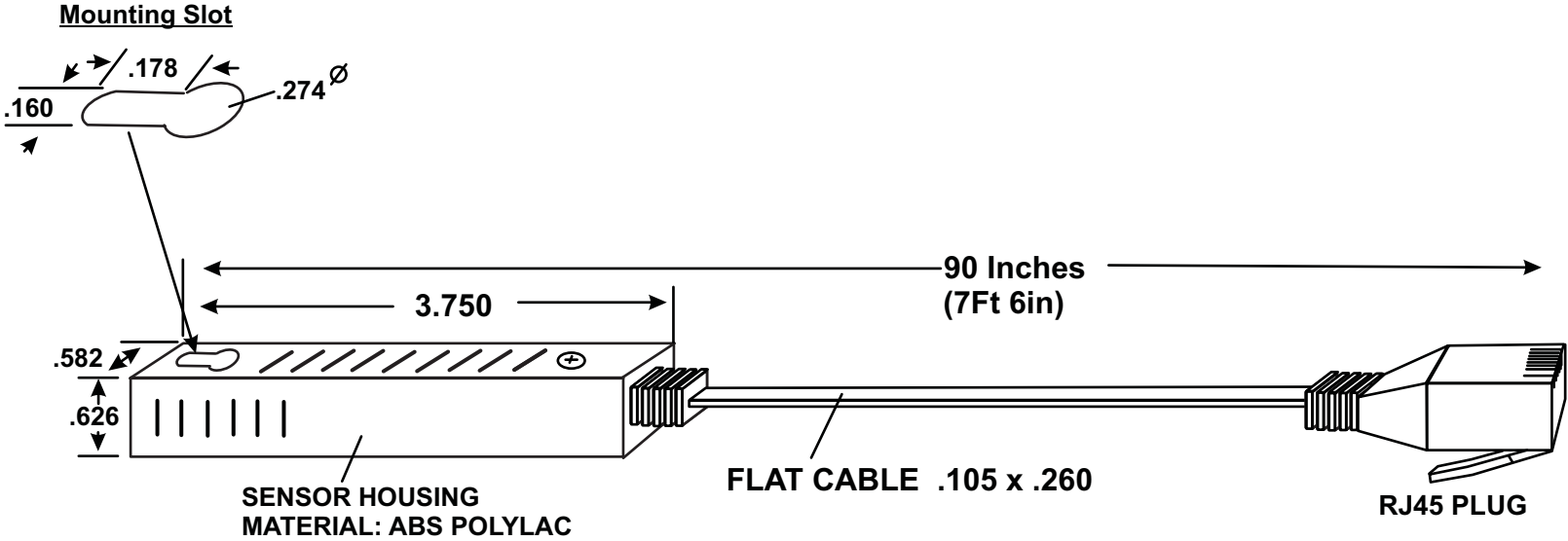
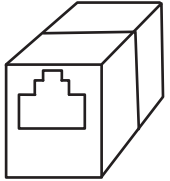


NTI P/N: ENVIROMUX-T-E7



- For use with ENVIROMUX-MINI-LXO and ENVIROMUX-MICRO .
Applications from -4 to 185°F (-20 to 85°C).
- High resistance to external influences on the cable due to digital output signal.
- Temperature Accuracy:
 - $\pm 2.7^{\circ}\text{F}$ ($\pm 1.50^{\circ}\text{C}$) for 77 to 140°F (25 to 60°C)
 - $\pm 3.96^{\circ}\text{F}$ ($\pm 2.2^{\circ}\text{C}$) for -4 to 77°F (-20 to 25°C) and 140 to 185°F (60 to 85°C).
- ABS Plastic sensor housing with vent openings for efficient environmental temperature sensing
- Includes an RJ45 coupler to extend the sensor up to 500 feet (152 m) using CATx cable (minimum 24AWG).
 - Use up to 5 couplers to extend the sensor
- Current consumption: <1mA @ 5VDC.
- Powered by ENVIROMUX-MINI-LXO or ENVIROMUX-MICRO.
- Regulatory approvals: CE, RoHS.

**RJ45-FF
Coupler
(Supplied)**



**Extend sensor up to
500 feet with CATx
cable (min. 24AWG)
using inline coupler**

UNITS: Inches