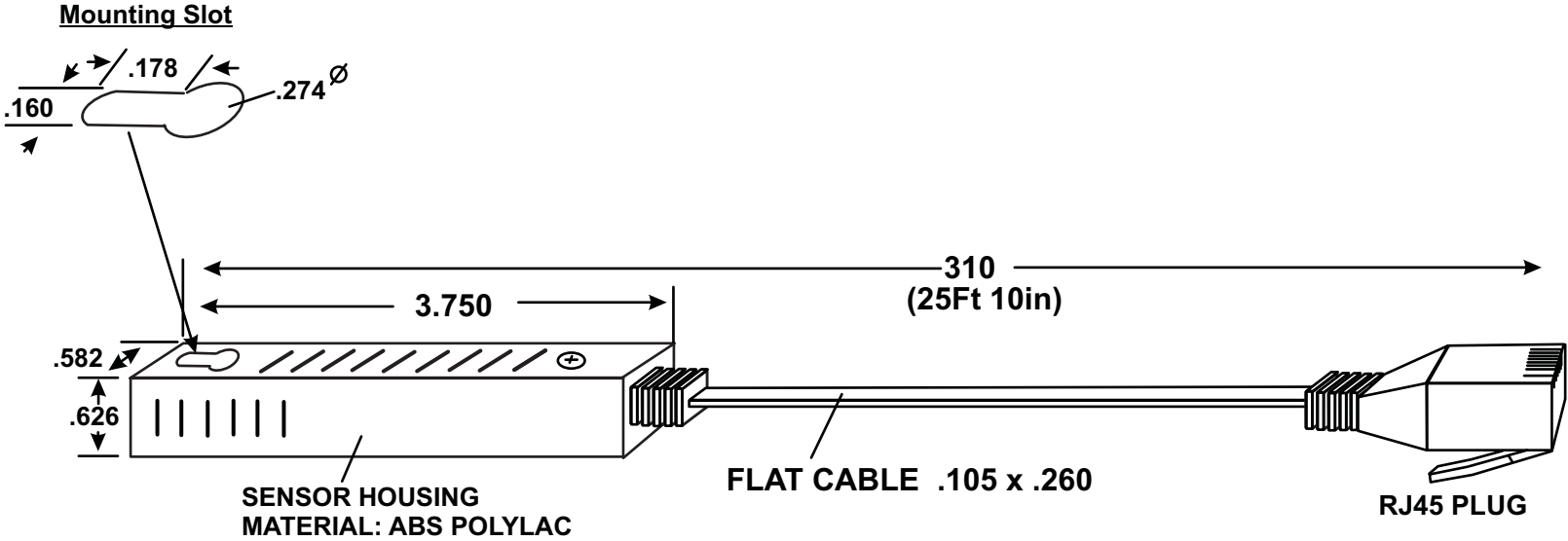
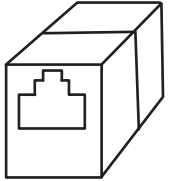


NTI P/N: ENVIROMUX-TRHM-E25



- For use with ENVIROMUX-MINI-LXO (Requires firmware version 2.3 or later) and ENVIROMUX-MICRO (Requires firmware version 1.3 or later).
- Applications from -4 to 185°F (-20 to 85°C) and 0 to 90% relative humidity.
- High resistance to external influences on the cable due to digital output signal.
- Temperature accuracy:
 - ±0.90°F (±0.50°C) for -4 to 14°F (-20 to 10°C).
 - ±0.72°F (±0.40°C) for 14 to 185°F (-10 to 85°C).
- ABS Plastic sensor housing with vent openings for efficient environmental temperature sensing
- Includes an RJ45 coupler to extend the sensor up to 500 feet (152 m) using CATx cable (minimum 24AWG).
 - Use up to 5 couplers to extend the sensor
- Current consumption: 7mA @ 5VDC.
- Powered by ENVIROMUX-MINI-LXO or ENVIROMUX-MICRO.
- Regulatory approvals: CE, RoHS.

**RJ45-FF
Coupler
(Supplied)**



**Extend sensor up to
500 feet with CATx
cable (min. 24AWG)
using inline coupler**

UNITS: Inches