

Multiple HDMI Extender Modules in a Rack

XTENDEX®

Extend HDMI and IR signals from 24 HDMI sources from a single 2RU rack tray

- Designed for use with NTI's HDMI rackmount transmitter modules.
- Mount up to 12 modules in a single 2RU tray.
 - Up to 24 HDMI signals can be extended from one Rackmount Module Tray using 12 Dual HDMI Transmitter Modules.
 - Decreased downtime due to easy replacement of extender modules.
- Local access — supports local and remote HDMI displays.
- Optional Dual HDMI Transmitter Modules house two local units in a single case.
- Extend each remote unit up to 300 feet (91 meters) over a single CAT5e/6/7 cable.
- Cable/power supply management shelf included.
- Includes eleven blank front panel covers.
 - Hides open slots on the tray.
 - Prevents change in airflow through rack cabinets.
- Available extender modules (all models support IR control):
 - HDMI with local access to 1 HDMI source.
 - HDMI with local CEC support and local access to 1 HDMI source.
 - Dual HDMI with local access to 2 HDMI sources.
 - Dual HDMI with local CEC support and local access to 2 HDMI sources.
 - HDMI desktop remote unit with CEC support.
- High quality, rugged steel construction with durable powder coat finish.
- Only one power supply is necessary per local rackmount module to power both the local module and remote unit(s).



XTENDEX® ST-C6RCK-12A with ST-C6HD-LA-2L-300M Extender Models (Front)

- **Extend 2 HDMI signals with 1 local module – connect up to 24 sources in 2RU tray**
- **Local Access**
- **IR Control**

The XTENDEX® Rackmount Extender Module Tray allows you to mount up to 12 extender modules in a space-saving 2RU shelf. The local extender modules and remote desktop units are interconnected via one CAT5e/6/7 cable.

Specifications

Rackmount Extender Module Tray

Dimensions

- Rack shelf WxDxH: 19x14.71x3.5 in. (483x374x89 mm)
- Blank panel cover WxH: 1.38x3.5 in. (35x89 mm)

HDMI Extender Modules

- Transmits a single HDMI signal over one CAT5e/6/7 cable.
- Dual HDMI option includes two local units housed in a single case.
- Supports HDTV resolutions to 1080p and computer resolutions to 1920x1200 (WUXGA).
- HDMI features supported:
 - 12-bit Deep Color
 - x.v.Color
 - Dolby TrueHD, DTS-HD Master Audio, Dolby Digital, and DTS
 - Bandwidth up to 225 MHz (6.75 Gbps)
 - Optional CEC (Consumer Electronic Control) for local display
 - Standard CEC support for remote display
 - Lip Sync
- HDCP compliant.
- Supports Infrared Remote (IR) control.
 - Full IR control of HDMI source from remote HDTV using existing source remote control.
- Cables not included.

Dimensions

- WxDxH: 1.38x3.51x3.50 in. (35x89x89 mm)

Regulatory Approvals

- RoHS

Connectors

- Local unit
 - ST-C6HD-LA-L-300M, ST-C6HD-CLA-L-300M:
 - ◆ One female HDMI connector for source.
 - ◆ One female HDMI connector for local display access.
 - ◆ One female 3.5mm port for IR emitter.
 - ◆ One female RJ45 port for sending/receiving high definition video/audio signals, IR signal, optional CEC signal, and DDC signal.
 - ST-C6HD-LA-2L-300M, ST-C6HD-CLA-2L-300M:
 - Two female HDMI connectors for two HDMI sources.
 - Two female HDMI connectors for two HDMI displays.
 - Two female 3.5mm ports for IR emitter.
 - Two female RJ45 ports for sending/receiving high definition video/audio signals, IR signal, optional CEC signal, and DDC signal.
- Remote unit
 - ◆ ST-C6HD-IR-R-300:
 - One female HDMI connector for display.
 - One female 3.5mm port for IR receiver.
 - One female RJ45 port for sending/receiving high definition video/audio signals, IR signal, CEC signal, and DDC signal.
 - ◆ Dual HDMI local units require two remote units.



Dual HDMI Transmitter Module
ST-C5HD-LA-2L-300M
(Front & Back)

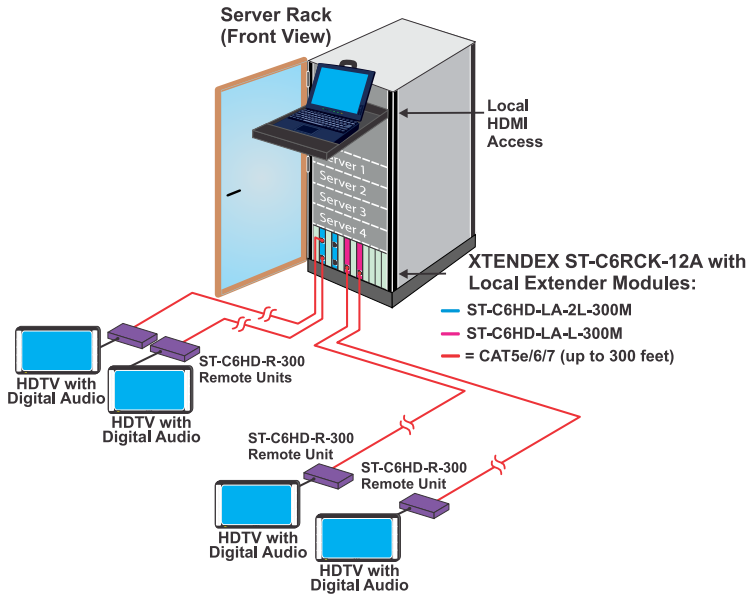
Multiple HDMI Extender Modules in a Rack

XTENDEX®

Extend HDMI and IR signals from 24 HDMI sources from a single 2RU rack tray

Cables

- Use HD-xx-MM cable to connect an HDMI source or display.
- Use DVI-HD-xx-MM cable to connect a DVI source or display.
- Use CAT5e/6/7 straight through cable for TIA/EIA-568B wiring terminated with standard RJ45 connectors (not included).



Distances and Resolutions for CAT5e, CAT6 and CAT7 Cables

Cable	Distance	Maximum Standard Resolution
CAT5e Solid	100 ft (30 m)	1080p / 24Hz
		1080i / 60Hz / 12-bit
		720p / 60Hz / 12-bit
CAT5e Stranded UTP	100 ft (30 m)	1080p / 24Hz
		1080i / 60Hz / 12-bit
		720p / 60Hz / 12-bit
CAT6 Solid UTP	50 ft (15 m)	1080p / 60Hz / 12-bit
		1920x1200 / 60Hz / 8-bit
		1080p / 60Hz / 10-bit
	75 ft (22 m)	1080i / 60Hz / 12-bit
		1920x1200 / 60Hz / 8-bit
		1080p / 60Hz / 8-bit
	150 ft (45 m)	1080p / 60Hz / 12-bit
		1080i / 60Hz / 12-bit
		720p / 60Hz / 12-bit
	200 ft (60 m)	1080p / 24Hz
		1080i / 60Hz / 12-bit
		720p / 60Hz / 12-bit
250 ft (76 m)	1080p / 24Hz	
	1080i / 60Hz / 8-bit	
	480p / 60Hz / 12-bit	
300 ft (91 m)	480p / 60Hz / 12-bit	
	800x600 / 75Hz / 8-bit	
	1080p / 24Hz	
CAT7 Solid STP	200 ft (60 m)	1080p / 60Hz / 8-bit
		1080i / 60Hz / 12-bit
	279 ft (85m)	1080p / 24Hz
		1080i / 60Hz / 8-bit
		480p / 60Hz / 12-bit

2RU Rackmount Extender Module Tray Models

NTI Part#	Description
ST-C6RCK-12A	2RU Rackmount Extender Module Tray
ST-C6PWR-RCK24	Power Distribution Module

HDMI Extender Modules to 300 Feet (91 Meters)

Local or Remote	Rackmount Module or Desktop Unit	NTI Part#	Dimensions WxDxH	Features
Local	Rackmount Module	ST-C6HD-LA-L-300M	1.38x3.51x3.50 in. (35x89x89 mm)	Local Access
Local	Rackmount Module	ST-C6HD-CLA-L-300M	1.38x3.51x3.50 in. (35x89x89 mm)	CEC, Local Access
Local	Rackmount Module	ST-C6HD-LA-2L-300M	1.38x3.51x3.50 in. (35x89x89 mm)	Local Access, Dual HDMI
Local	Rackmount Module	ST-C6HD-CLA-2L-300M	1.38x3.51x3.50 in. (35x89x89 mm)	CEC, Local Access, Dual HDMI
Remote	Desktop Unit	ST-C6HD-IR-R-300	2.54x3.09x1.08 in. (65x79x27 mm)	Compatible with all local units

HDMI, the HDMI Logo, and High-Definition Multimedia Interface are trademarks or registered trademarks of HDMI Licensing LLC in the United States and other countries.