

## Drive up to 4 displays 600 feet (183 meters) away from one computer in rail transportation and industrial environments

- Supports resolutions up to 1920x1440.
- Easily expandable. Add remote units as you add monitors.
- Meets the electrostatic discharge (ESD) immunity requirements of IEC/EN 61000-4-2.
- High quality rugged steel construction with durable powder coat finish.
- M12 connectors resist vibration and provide reliable connectivity in harsh environmental conditions.
- Flexible Zero-RU mounting, mounting tabs included.
- Ideal for digital signage, passenger information systems on mass transit, train stations, industrial environments, airports, and other applications that require multiple displays with reliable robust connections.

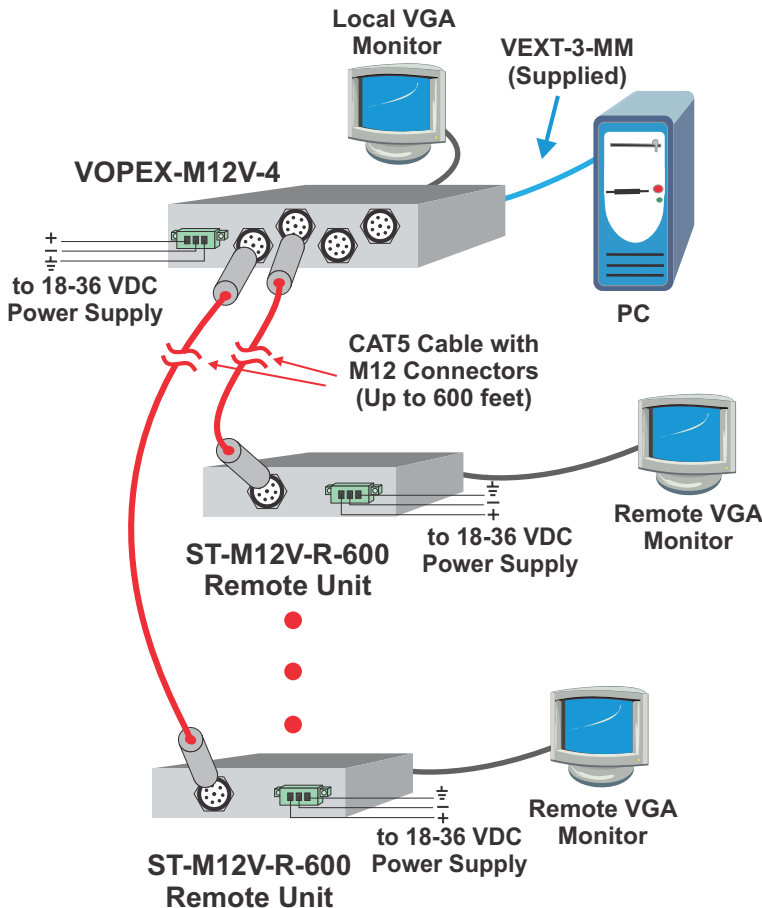


**VOPEX-M12V-4 Local Unit (Front & Back) and ST-M12V-R-600 Remote Unit**

- **Vibration resistant**
- **Robust Screw Terminal Power Connection**
- **High quality rugged steel construction**

The VOPEX® Industrial VGA Video Splitter/Extender simultaneously broadcasts high-resolution video from one computer to 4 remote monitors located up to 600 feet (183 meters) away using CAT5/5e/6 cable with M12 connectors. The robust M12 connector system is ideal for harsh industrial environments where reliable connections are required.

The VOPEX VGA video splitter/extender system has two components: the VOPEX-M12V-4 VGA broadcast unit, which connects to the host computer and also supplies video to a local monitor, and an XTENDEX® ST-M12V-R-600 remote unit for each remote monitor. The units are interconnected by CAT5/5e/6 cable terminated with M12 connectors.



Drive up to 4 displays 600 feet (183 meters) away from one computer in rail transportation and industrial environments via CAT5 + M12 Connectors

## Specifications

### Local Unit

#### Video Input

- Supports a computer with VGA video.
- Male 15-pin HD connector.
- Input frequency ranges:
  - Horizontal: 15 kHz to 130 kHz.
  - Vertical: 30 Hz to 150 Hz
- Supports Separate and Composite TTL level sync and Sync on Green.
- Input impedance: 75 Ohms.
- Maximum input levels: 1.45 p-p.
- Video is DC coupled.

#### Video Output

- Female 8-pin A-Coded M12 connectors for CAT5/5e/6 cable to remote units.
- Female 15-pin HD connector for local monitor.
- Crisp and clear 1920x1440 video resolution.
- Output impedance: 75 Ohms.
- Maximum output level: 1.45Vp-p

#### Cables

- 3-foot VGA cable included.
- Use CAT5, CAT5e or CAT6 UTP straight through cable for TIA/EIA-568B wiring terminated with 8-pin male M12 connectors (not included).
  - Use M12-8PWTP-M-FA to terminate both ends of CAT5/5e/6 cable.

#### Power

- 18~36 VDC via 3-pole detachable screw terminal.
- Power consumption: <5W

#### Environmental

- Operating temperature: 32°F to 100°F (0°C to 38°C)
- Storage temperature: -20°F to 140°F (-30°C to 60°C)
- Operating and Storage Relative Humidity: 17 to 90% non-condensing RH.

#### Regulatory Approvals

- CE, RoHS

### Remote Unit

#### Video Output

- Female 15-pin HD connector.
- Supports resolutions up to 1920x1440.
  - When using CAT6 cable, some degradation may be experienced, depending on the construction of the cable.
- Output impedance: 75 Ohms.
- Maximum output level for video: 1.45Vp-p.
- Video quality adjustment for different lengths of CAT5/5e/6 cable is done manually for video-only units and automatically for audio/video units.

#### Power

- 18~36 VDC via 3-pole detachable screw terminal.
- Power consumption: <5W

#### Environmental

- Operating temperature: 32°F to 100°F (0°C to 38°C)
- Storage temperature: -20°F to 140°F (-30°C to 60°C)
- Operating and Storage Relative Humidity: 17 to 90% non-condensing RH.

#### Regulatory Approvals

- CE, RoHS

#### Warranty

- Two years

Distances and Resolutions for CAT5/CAT5e and CAT6 Cables		
Cable	Distance (feet)	Maximum Resolution
CAT5/CAT5e(UTP)	600	1024x768 at 60Hz
	400	1280x1024 at 60Hz
	300	1600x1200 at 60Hz
	100	1920x1440 at 60Hz
CAT5/CAT5e (STP) CAT6 (UTP)	300	1024x768 at 60Hz
	200	1280x1024 at 60Hz
	100	1920x1440 at 60Hz

Distances and Resolutions for CAT5 EXANE cable	
Distance (feet)	Maximum Resolution
200	1280x1024 at 60Hz
100	1920x1440 at 60Hz
50	1920x1440 at 60Hz