

# WP-AV / WP-VGA / WP-A

## VGA AND AUDIO CABLE TERMINATOR WALLPLATE

### Installation Instruction



The **WP-AV** is a **VGA and Audio Cable Terminator Wallplate** that connects a VGA monitor and stereo speakers to video and audio distribution wiring within a wall. It can be used to connect VGA monitors and stereo speakers to network computers, similar to wall-mounted phone or network outlets. The cable terminator wallplate has set-screw terminal lugs that accommodate straight routing of the wires for easy, clean user connections.

The **WP-VGA** is a **VGA Cable Terminator** that supports just a VGA monitor. It includes one female 15HD VGA connector.

The **WP-A** is an **Audio Cable Terminator** that supports just stereo speakers. It includes one 3.5mm stereo jack.

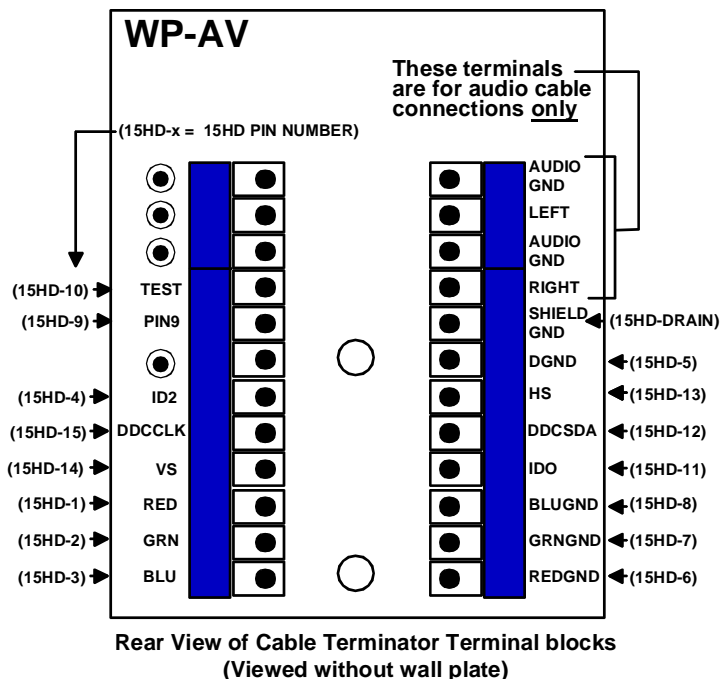
#### How to install VGA and audio cable:

1. Pull the VGA and audio cable through a conduit, and then prepare the cable(s) by exposing coax and conductor lines.

**Note: The VGA cable used must be rated for the length of cable in the application to achieve maximum signal quality and image clarity.**

2. Insert coax center conductors (for red, green, and blue signals) and their respective shields, as well as other conductors, into appropriate terminal lugs, as indicated on the circuit board and in the figure below.
3. Tighten the set screw terminal lugs to secure the video and audio conductors to the Cable Terminator.
4. The Cable Terminator Wallplate is then easily mounted in any single gang, standard US electrical box.

**Note: Be sure that all wires at each end are at corresponding terminals (ie. BLU to BLU, IDO to IDO, VS to VS, etc.).**

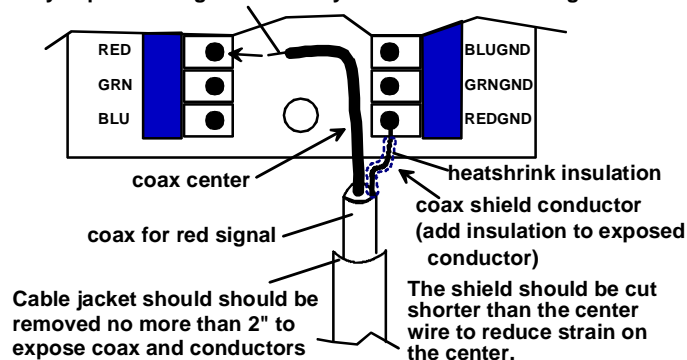


#### SUGGESTION:

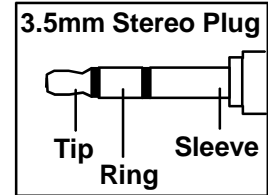
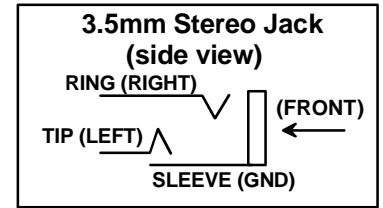
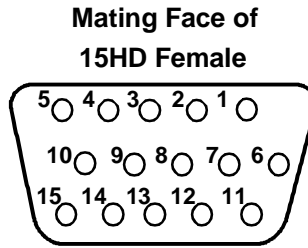
We recommend that the shield conductor of each coax cable be cut shorter than the center conductor before securing it to the terminal blocks. This will help to prevent strain on the center conductor during installation.

To prevent contact with other shield conductors, we also recommend applying insulation to the portion of exposed shield conductor that does not enter the lug.

Only expose enough wire to fully insert into terminal lug.



NTI VEXT CABLE 15HD CABLE-PIN ASSIGNMENT		
PIN #	WIRE COLOR (see note)	SIGNAL
1	Red Coax Center	Red
2	Green Coax Center	Green
3	Blue Coax Center	Blue
4	Brown	ID2
5	Orange	D Ground
6	Red Coax Shield	Red Ground
7	Green Coax Shield	Green Ground
8	Blue Coax Shield	Blue Ground
9	N/C	----
10	Orange/Black	Test
11	Red	ID0
12	Yellow	DDCSDA
13	Brown/Black	Horizontal Sync
14	Yellow/Black	Vertical Sync
15	Red/Black	DDC Clock
SHELL	---	Shield



**Note:** Color codes listed in the chart above are those of NTI VEXT cable. Colors in cable from other manufacturers will vary.

## Warranty Information

The warranty period on this product (parts and labor) is two (2) years from the date of purchase. Please contact Network Technologies Inc at (800) 742-8324 (800-RGB-TECH) or (330) 562-7070 or visit our website at <http://www.networktechinc.com> for information regarding repairs and/or returns. A return authorization number is required for all repairs/returns.

### COPYRIGHT

Copyright © 2005-2007 by Network Technologies Inc. All rights reserved. No part of this publication may be reproduced, stored in a retrieval system, or transmitted, in any form or by any means, electronic, mechanical, photocopying, recording, or otherwise, without the prior written consent of Network Technologies Inc, 1275 Danner Drive, Aurora, Ohio 44202.

### CHANGES

The material in this guide is for information only and is subject to change without notice. Network Technologies Inc reserves the right to make changes in the product design without reservation and without notification to its users.