

VIDMUX® Series

SE-DVI-2

2 Port DVI Video Switch

Installation and Operation Manual



TRADEMARK

VIDMUX is a registered trademark of Network Technologies Inc in the U.S. and other countries.

COPYRIGHT

Copyright © 2006 by Network Technologies Inc. All rights reserved. No part of this publication may be reproduced, stored in a retrieval system, or transmitted, in any form or by any means, electronic, mechanical, photocopying, recording, or otherwise, without the prior written consent of Network Technologies Inc, 1275 Danner Drive, Aurora, Ohio 44202.

CHANGES

The material in this guide is for information only and is subject to change without notice. Network Technologies Inc reserves the right to make changes in the product design without reservation and without notification to its users.

TABLE OF CONTENTS

Introduction..... 1
Materials 1
Features And Functions 1
Installation 2
Operation..... 3
Troubleshooting..... 4
Product Specification..... 4
Warranty Information..... 4

INTRODUCTION

The VIDMUX Series SE-DVI-2 (VIDMUX) is a 2-port DVI video switch that enables two video sources such as a PC or HDTV tuner to share one DVI monitor using DVI-I or DVI-D single-link connectors. The DVI interface technology implements digital signal transmission over the cable to eliminate noise and reduce undesired distortion.

See our catalog, visit our website at <http://www.networktechinc.com>, or contact an NTI sales representative at 800-742-8324 (800-RGB TECH) or 330-562-7070 for more details.

MATERIALS

Materials Supplied with this kit:

- NTI SE-DVI-2 2 Port DVI Video Switch
- 120VAC or 240VAC at 50 or 60Hz-5VDC/2.0A AC Adapter
- Line cord, country specific
- This owners manual

Materials Not Supplied, but REQUIRED:

Three DVI-I/DVI-D interface cables ARE REQUIRED but not supplied.

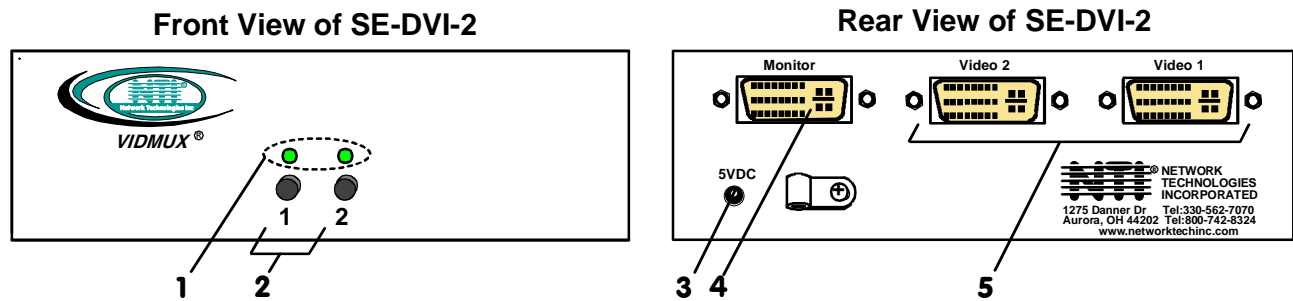
- DVI-I cable - VI-IS-xx-MM for video interface

Where:

xx is the length of the cable in feet
 MM indicates male-to-male connector

All cables can be purchased from Network Technologies Inc by calling 800-RGB-TECH (800-742-8324) or (330)-562-7070.

FEATURES AND FUNCTIONS



1. Input Select LEDs- for visual indication of the video input selected.
2. Input Select Switches- push to manually switch to a specific video input
3. 5VDC- 2.0A jack - connection jack for the AC adapter
4. MONITOR- DVI female connector for connection of the user monitor
5. Video Input- DVI female connectors for connecting video cables from DVI video sources

INSTALLATION

The VIDMUX is a Plug-and-Play device with no special configuration settings and easy installation steps:

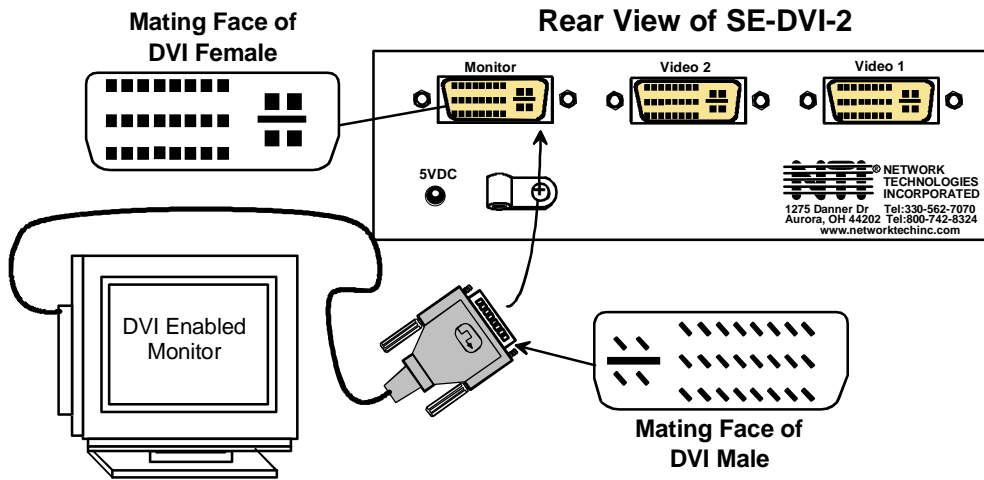
1. Before connecting the VIDMUX to the video sources, make sure the video sources and the monitor are turned OFF.



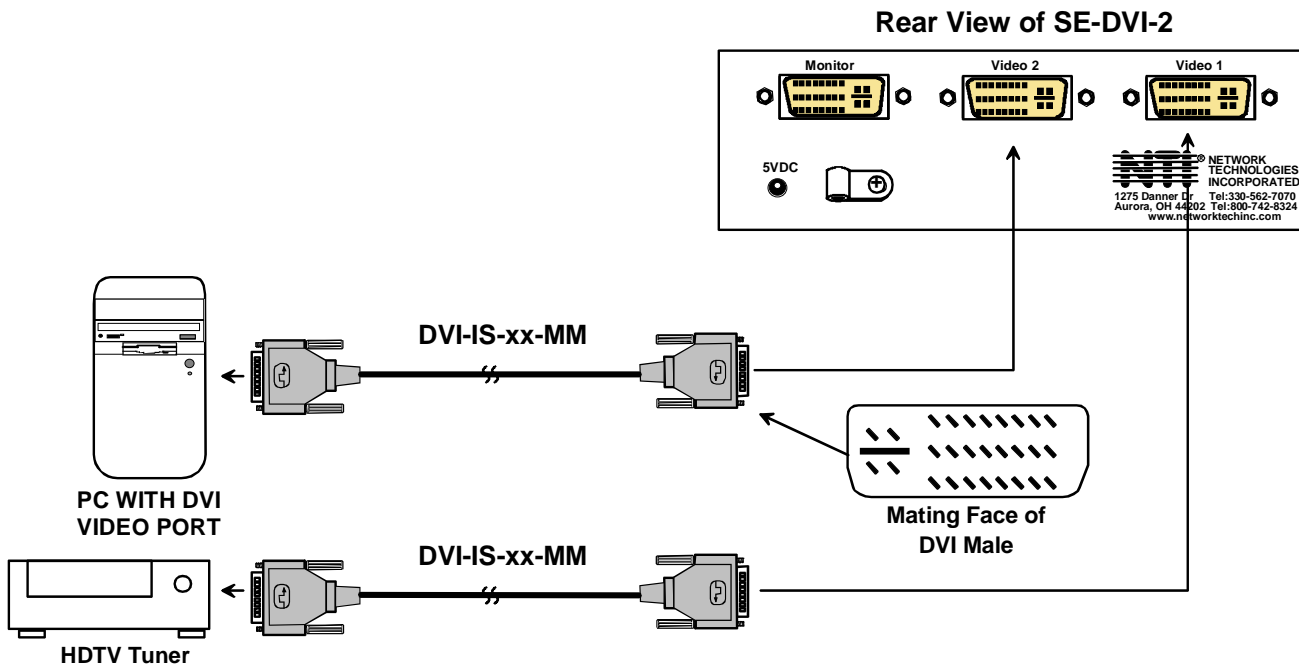
WARNING! Damage may occur to the CPU if power is not disconnected before connecting or disconnecting cables.

2. Connect the monitor to the DVI female port labeled "MONITOR" on the rear panel of the VIDMUX using a male-to-male DVI-I cable.

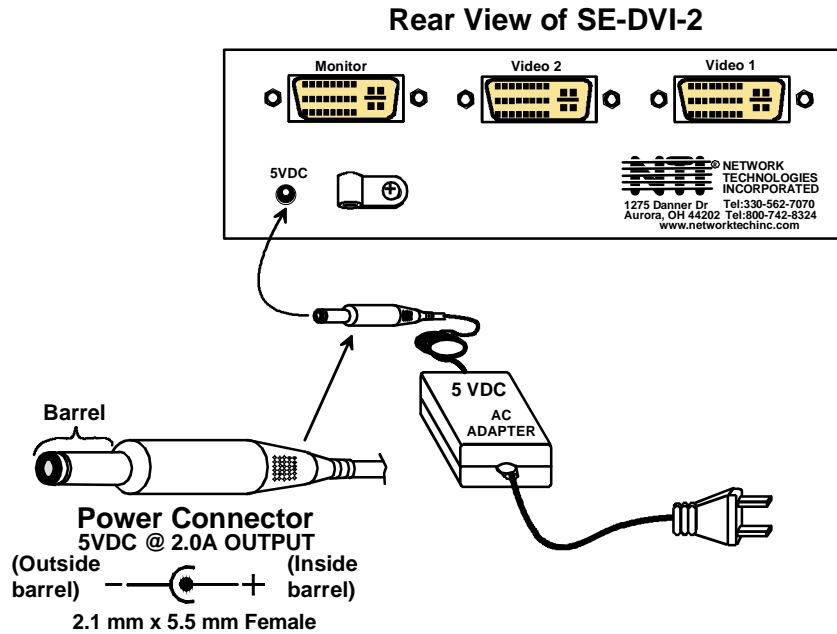
Note: Some monitors need to have their video input type set manually. In this case, select "Digital DVI" as the input type.



3. Connect the video sources to their corresponding DVI ports labeled "VIDEO 1" and/or "VIDEO 2" on the rear panel of the VIDMUX using male-to-male DVI-I cables.



- Plug the 5VDC AC adapter into the power jack on the rear panel.



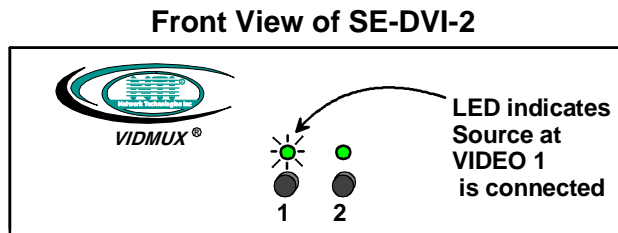
- Power up the VIDMUX first.
- Power up the monitor.
- Power up one or both of the video sources.

Note: If one or both of the video sources is a PC, make sure the LED associated with that source is illuminated while the PC boots up. Otherwise the PC may not properly initialize with the connected monitor. See OPERATION below.

OPERATION

Press the input select buttons to switch between video sources. The LED above each button will illuminate to indicate which source is connected to the monitor. Only one source can be connected at a time.

Note: While booting up a PC, it is recommended that the monitor be connected to the PC (corresponding LED should be illuminated) in order for the PC to properly initialize with the connected monitor.



TROUBLESHOOTING

If the VIDMUX is not working properly, please look for a solution in the list below:

PROBLEM: No video at all

SOLUTION: Check cable connections on each video source, monitor and the VIDMUX. After reconnecting, if a CPU is the video source, the CPU may need to be re-booted in order to sense the monitor connection.

PROBLEM: No video on one port

SOLUTION: Check cable connections on that port. Power cycle the corresponding video source while that port is connected (the Input Select LED for that port should be illuminated)

PROBLEM: Some artifacts in the picture

SOLUTION: Check for any loose connection between cable and connectors. If loose, it may be necessary to reboot the CPU to achieve a clear image.

If a solution was not found in the list above, answers may be found in the Frequently Ask Questions (FAQs) section of our website at <http://www.networktechinc.com> or call us directly at **(800) 742-8324 (800-RGB-TECH)** or **(330) 562-7070** and we will be happy to assist in any way we can.

PRODUCT SPECIFICATION

Video Source Connector	2 x DVI-I Single Link (Digital Only)
Monitor Port Connector	1 x DVI-I Single Link (Digital Only)
Operating Temperature	0-45°C
Maximum Display Resolution	1600x1200, 1080i
Power Supply	120VAC or 240VAC at 50 or 60Hz-5VDC/2.0A Positive-tip AC Adapter
Case Material	Electro-galvanized steel black powdercoated
Dimension (WxDxH) (In.)	5.7x4.5x1.8

WARRANTY INFORMATION

The warranty period on this product (parts and labor) is one (1) year from the date of purchase. Please contact Network Technologies Inc at **(800) 742-8324 (800-RGB-TECH)** or **(330) 562-7070** or visit our website at <http://www.networktechinc.com> for information regarding repairs and/or returns. A return authorization number is required for all repairs/returns.

SERIAL NO.: _____

DATE: _____

INSPECTED BY: _____