

VOPEX® Series

- VOPEX-C5VA-x**
- VOPEX-C5V-x**
- VOPEX-C5SVA-x**
- VOPEX-C5SV-x**
- VOPEX-C5HDTV-x**
- VOPEX-C5HDA-x**
- VIDEO/AUDIO or VIDEO ONLY**
- SPLITTER/EXTENDER**



(Receiver not included)

Quick Installation Guide

The VOPEX Series Cat5 Video/Audio Splitter/Extender (VOPEX) is designed to enable one Video/Audio source to be viewed and heard in 4, 8, or 16 different remote locations. Remote video and audio devices can be located as much as 600 feet away from the source via Category 5 unshielded twisted-pair cable. The VOPEX also allows a local video and audio device to be located near the source.

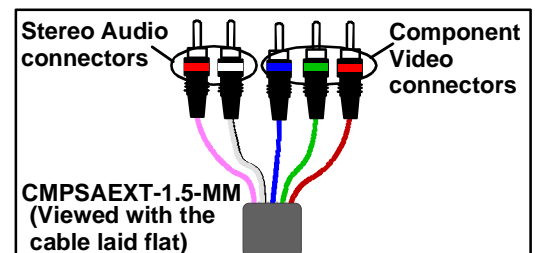
Position the VOPEX such that all connections can be made without straining the cables. The CAT5 cables should be routed away from any sources of magnetic fields or electrical interference that might reduce the quality of the video and audio signals (i.e. AC motors, welding equipment, etc.).

Materials Included with this kit:

- VOPEX-C5VA-x / -C5V-x / -C5SVA-x / -C5SV-x / -C5HDTV-x / -C5HDA-x (one of these)
- 120VAC or 240VAC at 50 or 60Hz-9VDC/1.5A AC Adapter
- Line cord, country specific
- CD with a pdf file of this manual and pdf file of the Quick Installation Guide
- This Quick Installation Guide

Additional materials Included:

For Model	Video Cable	Stereo plug Cable
VOPEX-C5VA-x	VEXT-3	SA-3-MM
VOPEX-C5V-x	VEXT-3	Not applicable
VOPEX-C5SVA-x	SVEXT-3-MM	SA-3-MM
VOPEX-C5SV-x	SVEXT-3-MM	Not applicable
VOPEX-C5HDTV-x	CMPSAEXT-1.5-MM (see image-right)	

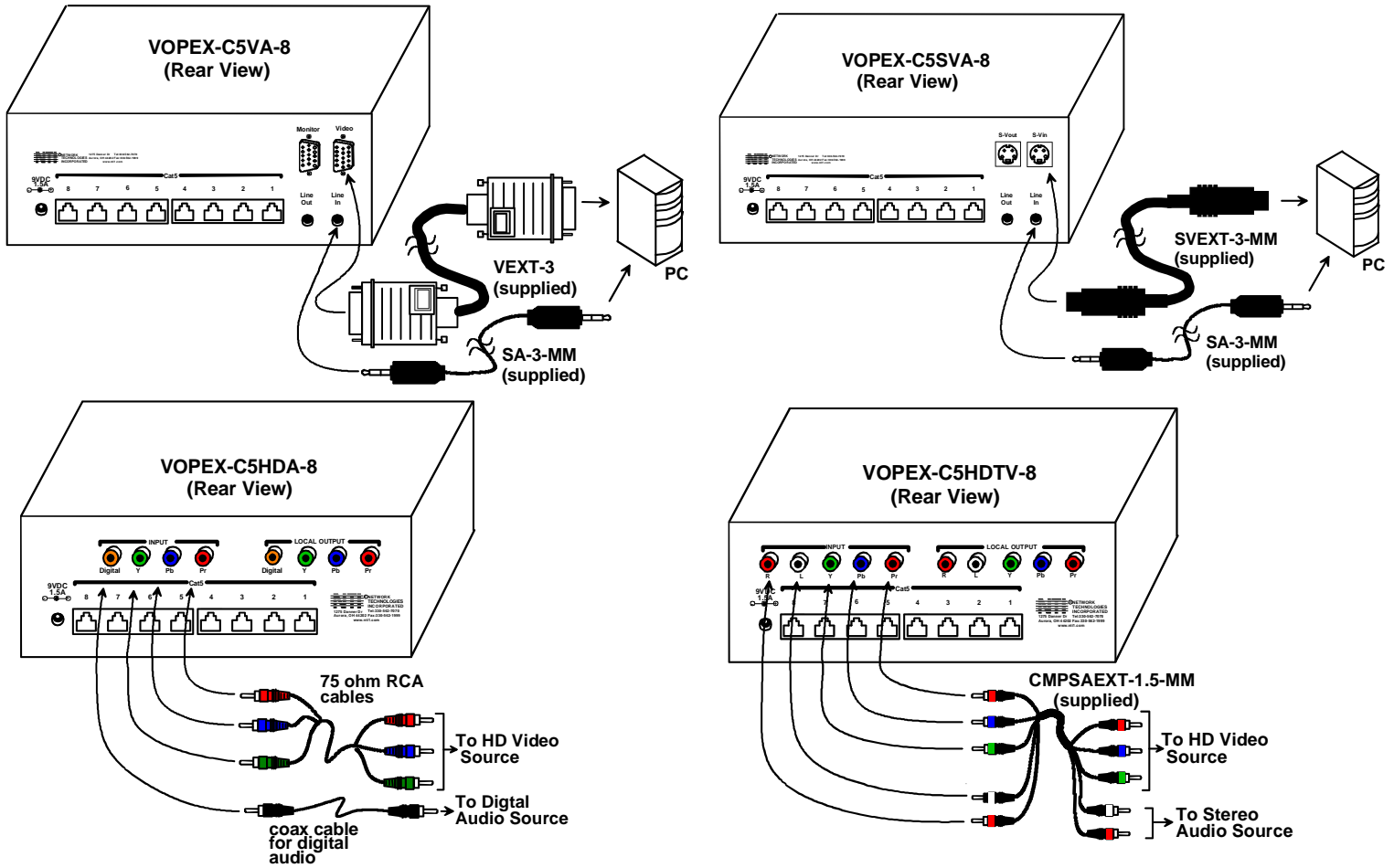


Legend:

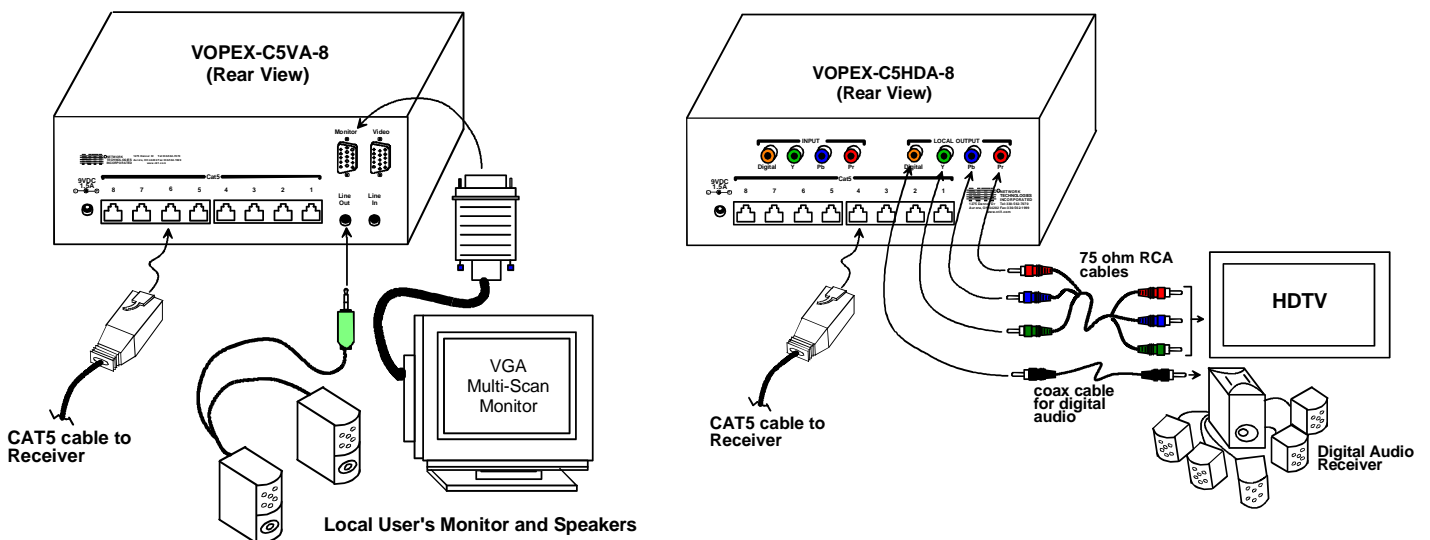
- x= 4, 8, or 16 for number of ports
- MM- indicates male-male connectors
- VEXT-3- 15HD male-female video cable for connecting the VOPEX to the video source
- SA-3-MM 3.5mm stereo plug -stereo plug cable for connecting the VOPEX to the audio source
- SVEXT-3-MM 4-pin miniDIN male-male s-video cable- for connecting the VOPEX-C5SVA / -C5SV-x to the video source
- CMPSAEXT-1.5-MM 5-in-1 coax cable (3-75 ohm component video and 2-RCA stereo)-for connecting VOPEX-C5HDTV-x to the audio and video source

Installation

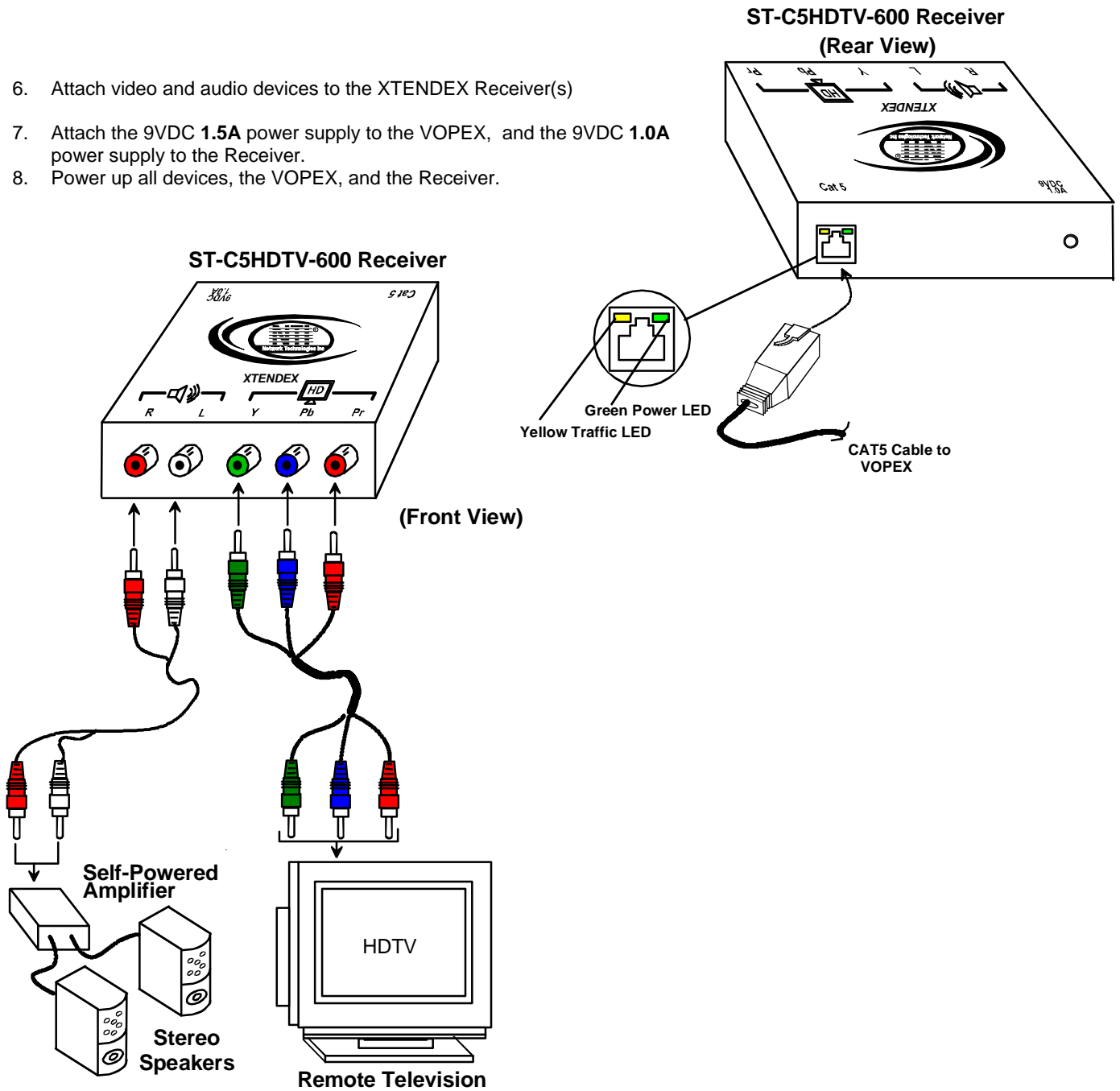
1. Connect a video cable between the "Video" or "INPUT" ("Y Pb Pr") connectors and the video source.
2. Connect an audio cable between the "Line In" or "INPUT" ("L" and "R" or "Digital") connectors and the audio source.



3. Connect a local video device to the "Monitor" or "LOCAL OUTPUT" ("Y Pb Pr") connector.
4. Connect a local audio device to the "Line Out" or "LOCAL OUTPUT" ("L" and "R" or "Digital") connector.
5. Connect one end of a CAT5 cable to a "Cat5" port on the VOPEX and the other end to the "Cat5" port on an XTENDEX Receiver



6. Attach video and audio devices to the XTENDEX Receiver(s)
7. Attach the 9VDC 1.5A power supply to the VOPEX, and the 9VDC 1.0A power supply to the Receiver.
8. Power up all devices, the VOPEX, and the Receiver.



WARNING: Never connect the VOPEX-C5VA-x Extender/Splitter to an Ethernet card, Ethernet router, hub or switch or other Ethernet RJ45 connector of an Ethernet device. Damage to devices connected to the Ethernet may result.

Note: CAT5 connection cable used between NTI XTENDEX Series Local and Remote or any XTENDEX Series products should not be run underground, outdoors or between buildings.



WARNING: Outdoor or underground runs of CAT5 cable could be dangerous and will void the warranty.

For more details, specifications, and troubleshooting tips, see the Installation and Operation Manual or go to www.networktechinc.com.