

**PRIMUX® Series**

# PRIMUX-16X64

# PRIMUX-8X32

## KVM Matrix Switch via CATx

## Quick Start Guide



**PRIMUX-16X64**  
(Front and Rear View)



**PRIMUX-UZR**  
User Station (sold separately)



**HA-UNV PS/2 and USB Host Adapter**  
(sold separately)

## What's in the Box



**NTI PRIMUX-16X64 or 8X32  
Cat5 KVM Matrix Switch**



**AC Line Cord  
Country Specific**



**Terminating Plug**



**Manual CD**



**Quick Start  
Guide**

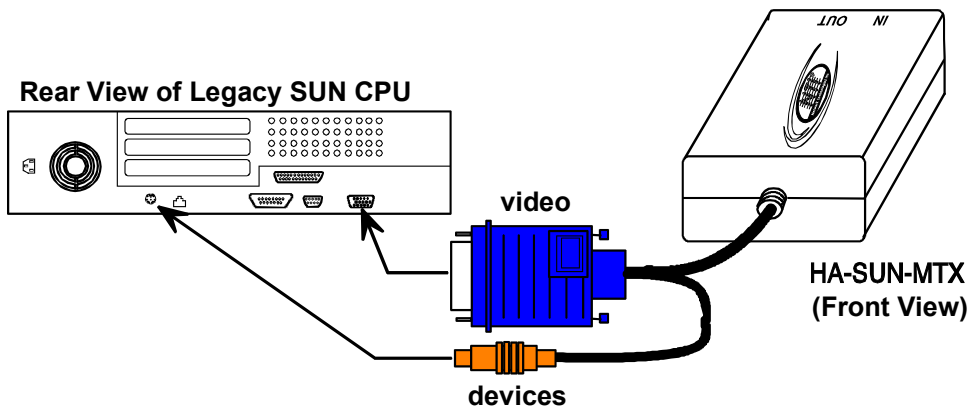
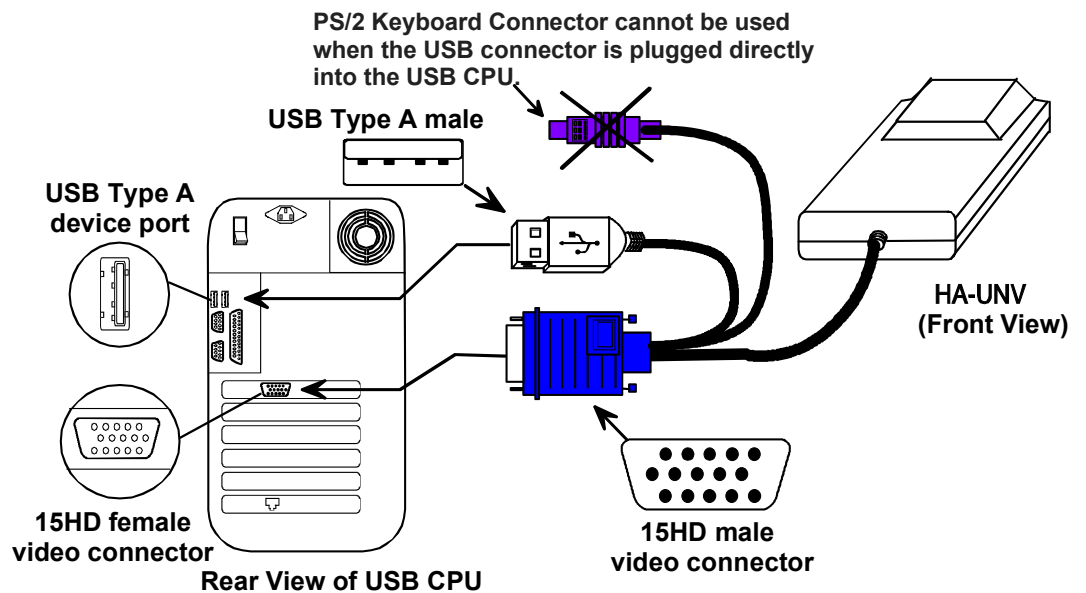
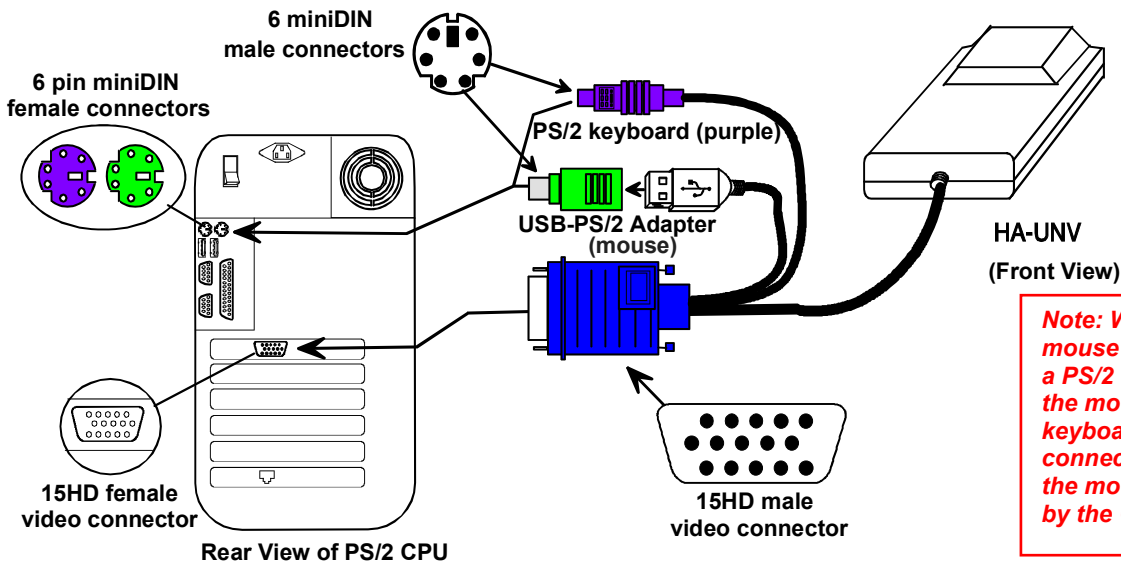
## What's also needed (sold separately)

- NTI Host Adapter(s) HA-UNV PS2/USB Host Adapter (Includes a CT7038 USB-PS2 Adapter)/  
HA-SUN-MTX SUN Host Adapter /  
HA-RS-M Serial Host Adapter (see chart on page 7)
- NTI PRIMUX-UZR User Station
- CAT5/5e/6 unshielded twisted-pair cable(s) terminated with RJ45 connectors wired straight thru (pin 1 to pin 1, etc.)

**Please Note:** The PRIMUX User Station and Host Adapters used in conjunction with the PRIMUX Matrix Switch must all be running firmware version 2.0 or later in order to be compatible with the PRIMUX Matrix Switch. For updated firmware with instruction for upgrading, go to <http://www.networktechinc.com/download/d-kvmswitch-cat5.html> .

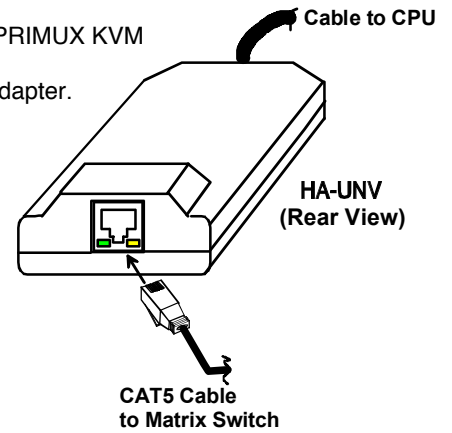
## Hardware Setup

1. Disconnect power from each CPU to be connected. (If your CPU fully supports hot-plugging, powering-down will not be necessary).
2. Plug the appropriate Host Adapter into the devices and video ports on the back of each CPU.

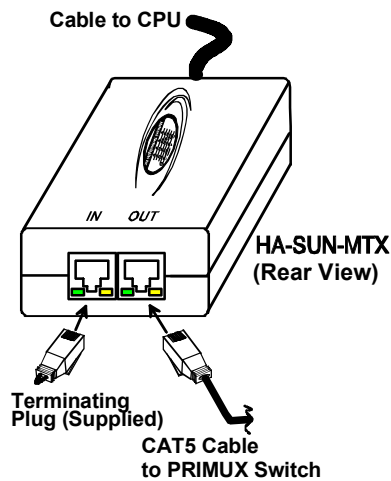


3. Connect a CAT5 cable from the "OUT" port on each Host Adapter to a "CAT5" port on the PRIMUX KVM Matrix Switch.
4. Connect the Terminating Plug (supplied with Host Adapter) to the "IN" port on each Host Adapter.

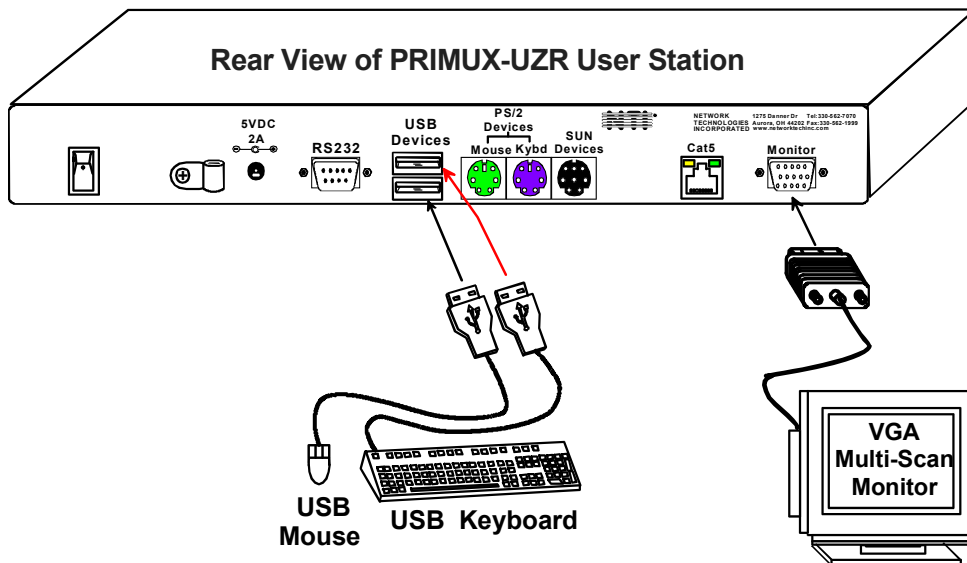
**WARNING:** Never connect the PRIMUX Host Adapter, User Station, or Matrix Switch to an Ethernet card, Ethernet router, hub or switch or other Ethernet RJ45 connector of an Ethernet device. Damage to devices connected to the Ethernet may result.



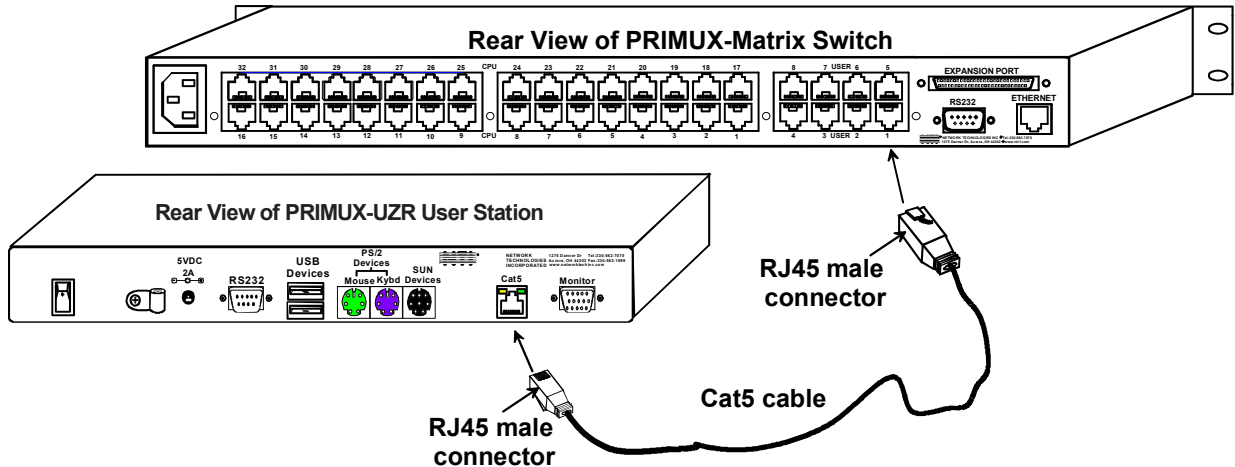
**NOTE:** HA-SUN-MTX Host Adapters require the insertion of a Terminating Plug (included) into the "IN" port on the Host Adapter. Be sure to insert this plug.



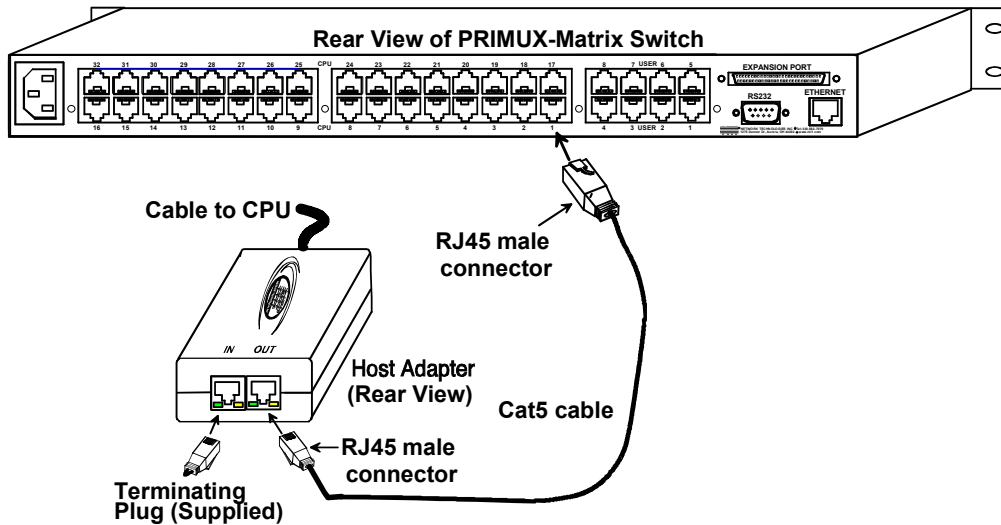
5. Connect the user keyboard and mouse to the proper "DEVICES" port(s) (USB or PS/2) on the PRIMUX-UZR User Station. (USB type devices are shown in the following image.)
6. Connect the user monitor to the "MONITOR" port on the User Station.



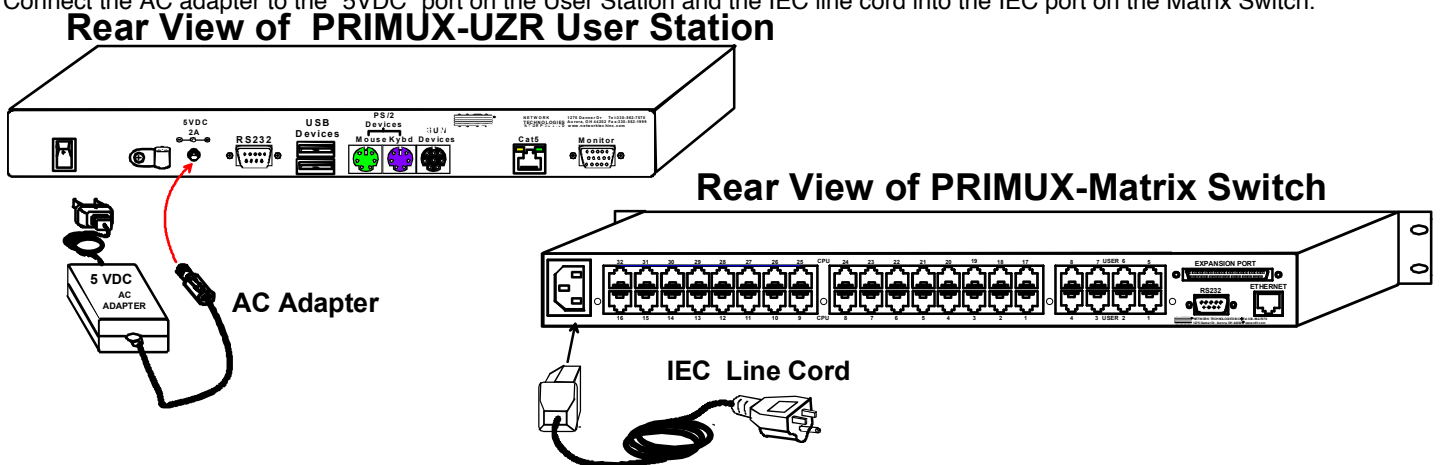
7. Connect a Cat5 cable between the "Cat5" port on the User Station and a "User" port on the Matrix Switch.



- Connect a Cat5 cable between the "OUT" port on each Host Adapter and a "CPU" port on the Matrix Switch.



8. Connect the AC adapter to the "5VDC" port on the User Station and the IEC line cord into the IEC port on the Matrix Switch.



9. Power-up the monitor, User Station and Matrix Switch.
10. Power-up the CPU(s).

## Initial Startup

Upon startup, the Command Mode On Screen Display (OSD) menu will be displayed, auto-logging you in as the administrative user “root”. By default, the user “root” has full administrative rights and access to all Host Adapters and their connected CPUs.

To logout as a user, press <L> and the login screen will appear

If you logout and want to log back in as the administrator “root” either ;

- A) type <root> at the user prompt and press <Enter> or <Tab>  
type <nti> at the password prompt and press <Enter>

-or-

- B) power-cycle the PRIMUX and be automatically logged-in as root

**NOTE: In PRIMUX units with firmware version 1.9 and earlier, the administrator name was “ADMINISTRATOR” and the password was “NTI” (all upper case letters). The PRIMUX must be using version 2.0 and later to work with a PRIMUX Matrix Switch.**

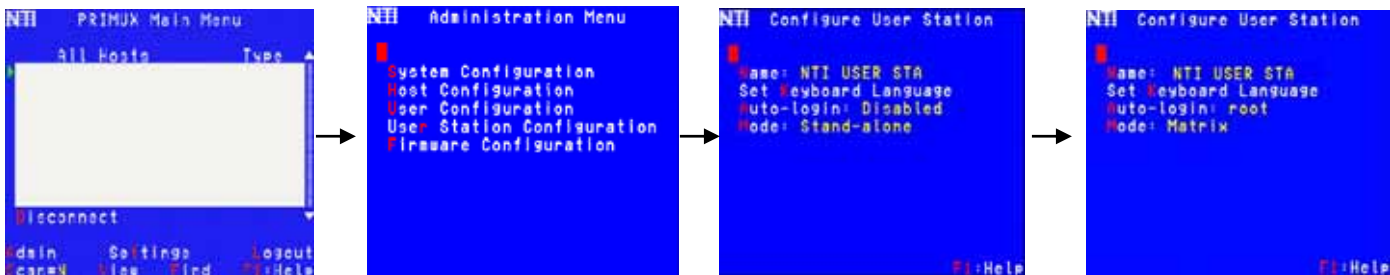
## Configure User Station for Matrix Mode

The User Station must be configured for use with a Matrix Switch instead of as a Stand Alone unit before the Command Mode menu will recognize any connected CPUs. From the Command Mode menu, enter the following key sequence:

<A><R><M><Spacebar><Y> , then power-cycle the User Station.

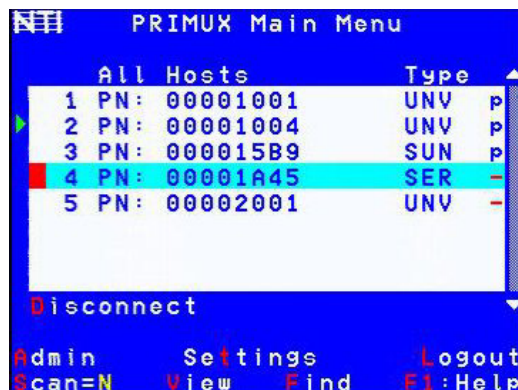
This sequence of key presses will open the Administration menu (A), then the User Station Configuration menu (R), select the Mode configuration option (M), toggle the mode from Standalone (the default) to Matrix (Spacebar), and confirm the configuration change (Y).

You must power-cycle the User Station to establish communication with the Matrix Switch.



### Menu sequence for Matrix Switch Mode

To return to the Command Mode menu, either press <Esc> twice, or <F10> once. Any connected CPUs should now be listed in the Command Mode OSD menu as “PN:xxxxxxx>” where xxxxxxxx is the part number of the Host Adapter (this number can be found on the back side of the Host Adapter).



## **Make a Connection**

From the Command Mode menu, to make connection to any Host Adapter,  
press <Up arrow> or <Down arrow> to highlight and select the desired Host Adapter,  
press <Enter> to connect to it.

**-OR-**

use the mouse to highlight the desired Host Adapter to connect to and left-click on it to connect.

Press <Esc> to exit Command Mode and use the connected CPU.

Press <Ctrl> + <`> to return to the Command Mode OSD menu.

**Congratulations, you have successfully installed your PRIMUX Matrix Switch.**

### **Host Adapter Ordering Chart**

<b>NTI #</b>	<b>Application</b>
HA-UNV	PS2/USB CPU
HA-SUN-MTX	Legacy SUN CPU
HA-RS-M	Serial-Controlled Devices

To order CAT5/5e/6 cables, Host Adapters, or User Stations either visit our website at [www.networktechinc.com](http://www.networktechinc.com) or call us at 1-800-RGB-TECH (800-742-8324) or 1-330-562-7070.

**Please Note:** The PRIMUX User Station and Host Adapters used in conjunction with the PRIMUX Matrix Switch must all be running firmware version 2.0 or later in order to be compatible with the PRIMUX Matrix Switch. For updated firmware with instruction for upgrading, go to <http://www.networktechinc.com/download/d-kvmswitch-cat5.html> .

MAN106 Rev 6/17/2010