



**NETWORK
TECHNOLOGIES
INCORPORATED**

1275 Danner Dr Tel:330-562-7070
Aurora, OH 44202 Fax:330-562-1999
www.networktechinc.com

ENVIROMUX-SOD-3M

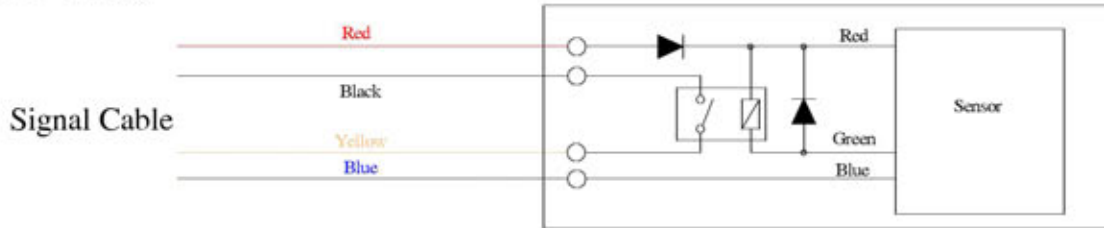
Oil Leak Detection Sensor Installation and Operation Manual



Installation

The detection sensor is susceptible to damage and should not be fitted to areas where it is likely to be damaged or walked on. The sensor can be screwed or stuck to the floor using the supplied stainless steel bracket.

Sensor wiring



Connections

Red Wire = 12-24VAC live or 12-24VDC +
Black Wire = Volt free Contact common
Yellow Wire = Volt Free Contact Normally Open, Close in alarm
Blue Wire = 12-24VAC Neutral or 12-24VDC ground

The signal cable should be terminated between the sensor and the main Alarm/BMS in the following manner.

Connection to Signal Cable	Signal cable wire colour
+VDC/AC	Red
0VDC/AC	Blue
Contact N/O	Yellow
Contact N/O	Black

Output alarm relay truth table

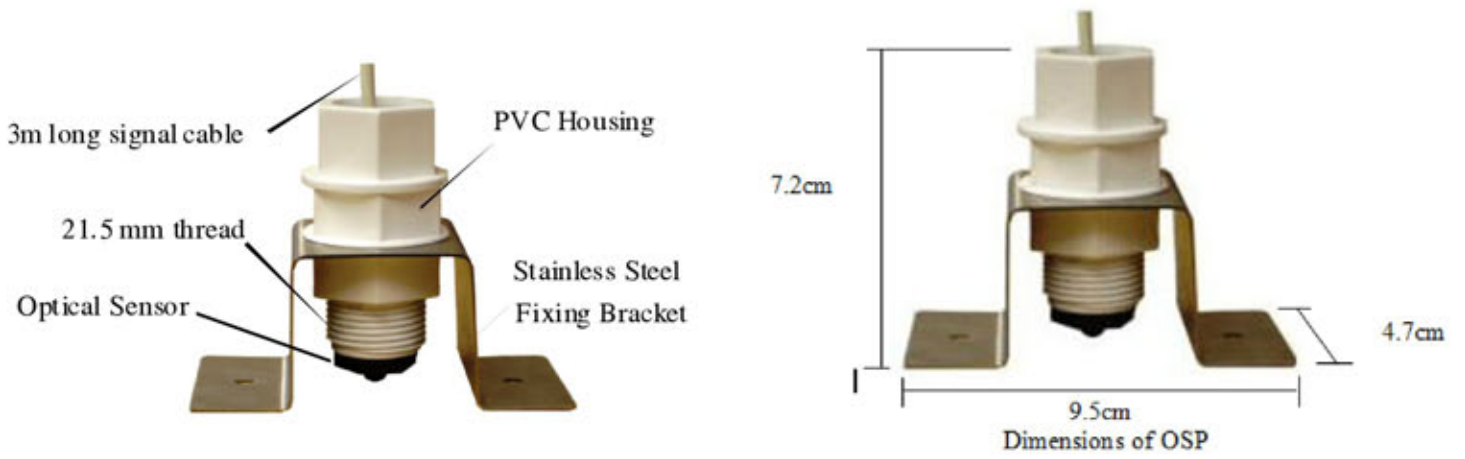
<i>Water Detected</i>	<i>Oil Leak Detected</i>	<i>Relay output Contact</i>
NO	NO	Open (no alarm)
NO	YES	Closed (alarm)
YES	NO	Open (no alarm)
Water detected first	Then an oil leak	Open (see note)
Water detected second	Oil Leak detected first	Closed (see note)

Note

If the sensor is detecting an oil leak before water is detected, the output relay will remain ON. However, if water is detected before an oil leak the relay will remain OFF (see note 2) until the water has evaporated when the relay will turn ON if oil is still present.

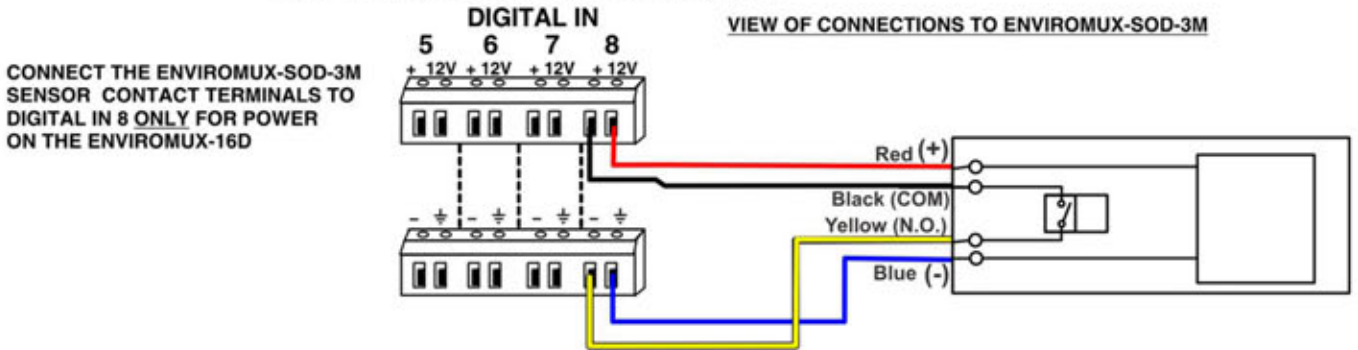
Note 2

The sensor will also detect oil in water providing enough oil is present to force the water away from the optical sensor.

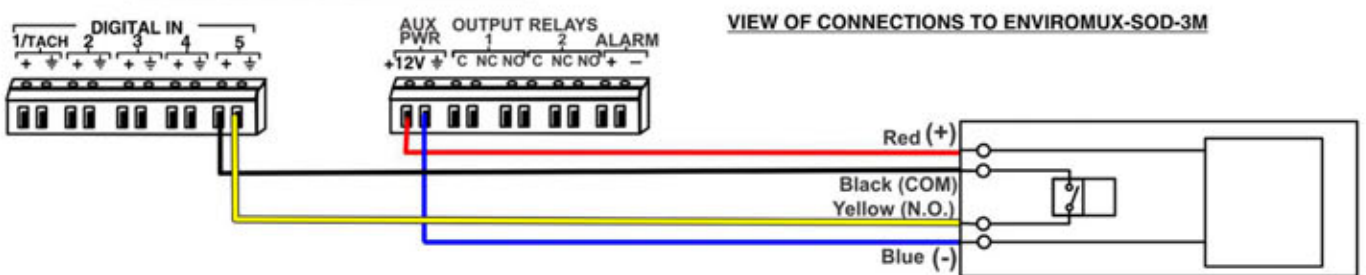


WIRING FROM ENVIROMUX-SOD-3M TO ENVIROMUX-2D/-5D/-16D OR ENVIROMUX-MINI-LXO

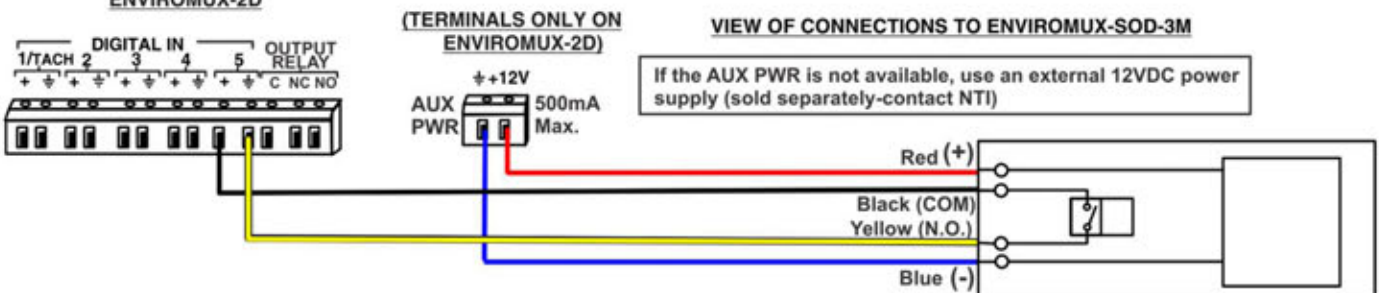
VIEW OF TERMINALS ON REAR OF ENVIROMUX-16D



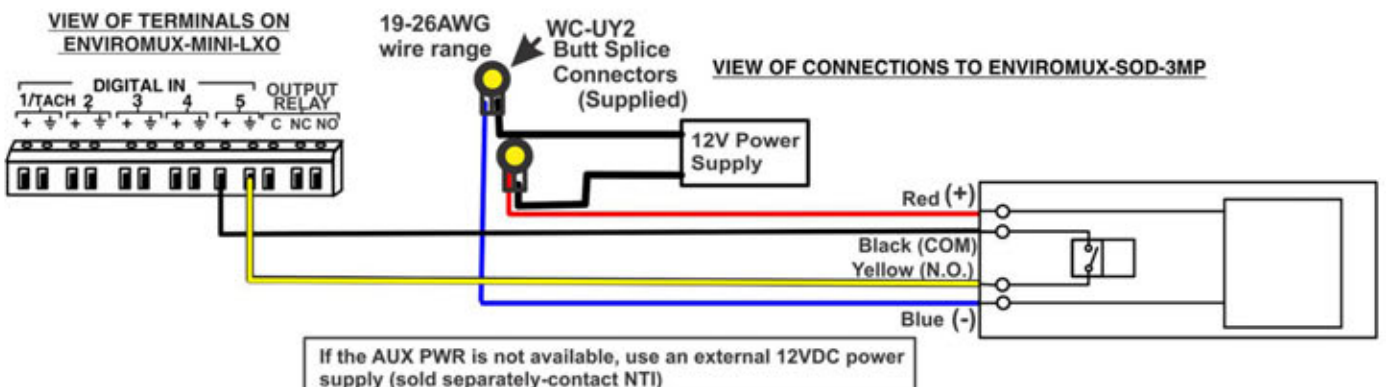
VIEW OF TERMINALS ON ENVIROMUX-5D



VIEW OF TERMINALS ON ENVIROMUX-2D



VIEW OF TERMINALS ON ENVIROMUX-MINI-LXO



Specification

Housing type	ABS Plastic
Size excluding bracket	75mm High x 38mm diameter
Colour	White
Input power	12 to 24 VAC or 12 to 24VDC
Power Consumption	30mA @ 24VDC
Connections to Sensor	3 metre long 4 core signal cable
Relay contact	Normally Open , (close in alarm) 1 amp 30VDC volt free contact
Ingress Protection Rating	IP65
Minimum Puddle Depth	0.04-0.08" (1-2 mm)