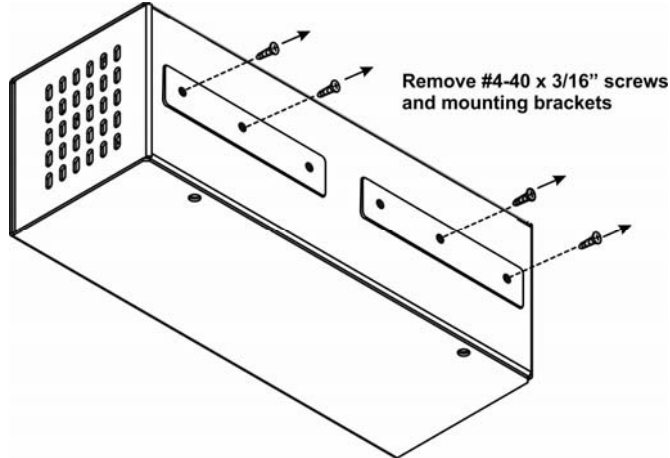


MK-DIN-E2D5DLXO Kit Installation of DIN Clip to ENVIROMUX-MINI-LXO/2D/5D

1. Remove the #4-40 x 3/16" screws that secure the mounting brackets that came with your ENVIROMUX.



2. Install the DIN Clip to the two holes toward the center of the case using the two #4-40 x 1/4" screws that came with the DIN clip.

