

HI-RES VGA USB KVM EXTENDER VIA CAT5

Extend USB keyboard, USB mouse and VGA monitor up to 305 meters

Available options:

- **USB connector for USB touch screen monitor, CAC card reader, or interactive whiteboard**
- **Audio**



XTENDEX® ST-C5USBVUA-1000S Local and Remote Units

Features & Applications

The XTENDEX® VGA USB KVM Extender provides local and remote KVM (USB keyboard, USB mouse and VGA monitor) access to a USB computer or NTI KVM switch up to 305 meters using CAT5/5e/6 UTP cable. Each ST-C5USBV-1000S consists of a local unit that connects to a computer and provides local keyboard, monitor and mouse connections, and a remote unit that connects to a keyboard, monitor and mouse. The local and remote units are interconnected via CAT5/5e/6 cable.

- Industry-leading ultra high resolutions up to 2048x1536.
- High quality, rugged steel construction with durable powder coat finish.
- Automatically adjust video quality and color skew for crystal clear video with longer cables.
- DDC2B emulation support for remote monitor.
- Built-in surge protection.
- Available with optional stereo audio and/or additional USB 2.0 (low/full speed) port for local and remote user.
 - For the additional USB port on the local unit, connect any type of USB device (fully transparent USB connection).
 - For the additional USB port on the remote unit, use to connect a USB touch screen monitor, interactive whiteboard, or CAC card reader.

Specifications

Local Unit

Host Connection

- Supports a USB computer (PC, SUN, MAC).
- Multiplatform support: Windows 2000/XP/Vista/7, Windows Server 2000/2003/2008, Solaris, Linux, FreeBSD, and MAC OS 9/10.
- One male 15-pin HD connector.
- One male USB Type A connector.
- Audio option: one 3.5mm stereo plug (audio in).

Local Access

- Crisp and clear 2048x1536 video resolution.
- One female 15-pin HD connector.
- Two female USB Type A connectors.
- Audio option: one 3.5mm stereo plug (audio out).
- Available with an optional female USB Type A connector for an additional USB 2.0 (low/full speed) device.
 - ◆ Connect any type of USB device – fully transparent USB connection.
 - ◆ USB maximum data rate: 12 Mbps

Remote Unit

- Supports resolutions up to 2048x1536; refer to the resolution chart for resolutions at different lengths.
- One female 15-pin HD connector.
- Two female USB Type A connectors.
- Audio option: one 3.5mm stereo plug (audio out).
- Available with an optional female USB Type A connector for an additional USB 2.0 (low/full speed) device.
 - Use to connect a 3M or Elo USB touch screen monitor, SMART Board™ interactive whiteboard, SMART Podium™ interactive pen display, or CAC card reader.
 - USB maximum data rate: 12 Mbps

Video Quality Adjustment

- Automatically adjusts the video quality and color skew to compensate for varying lengths of CAT5/5e/6 cable.
 - Maximum delay: 62ns in 2ns steps.
- Manual fine adjustments are made via keyboard commands.
- Settings are automatically stored in the unit. The next time the unit is powered on, the adjustment will be recalled.

Power

- Local and remote unit: 110 or 220 VAC at 50 or 60 Hz via AC adapter.

Environmental

- Operating temperature: 32°F to 100°F (0°C to 38°C).
- Storage temperature: -20°F to 140°F (-30°C to 60°C).
- Operating and Storage Relative Humidity: 17 to 90% non-condensing RH.

Dimensions

- WxDxH (mm): 130x79x30

Regulatory Approvals

- CE, RoHS

MTBF

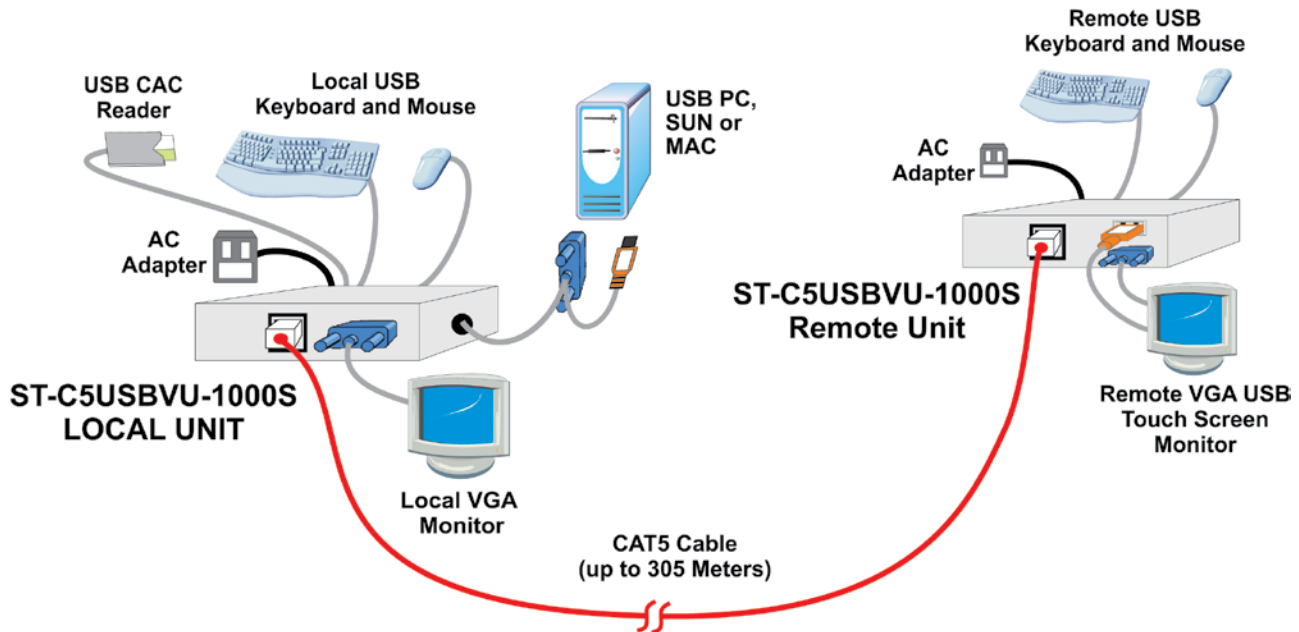
NTI Part #	Hours	NTI Part #	Hours
ST-C5USBV-L-1000S	38,570	ST-C5USBV-R-1000S	43,429
ST-C5USBVU-L-1000S	37,943	ST-C5USBVU-R-1000S	44,468
ST-C5USBVA-L-1000S	38,453	ST-C5USBVA-R-1000S	43,234
ST-C5USBVUA-L-1000S	37,838	ST-C5USBVUA-R-1000S	42,606



HI-RES VGA USB KVM EXTENDER VIA CAT5

Extend USB keyboard, USB mouse and VGA monitor up to 305 meters

Configuration and Cable Illustration



Options

Stereo Audio

- Stereo audio can be heard both locally and remotely.
- Frequency response: 20 Hz to 20 kHz, ± 1 dB.
- Signal-to-Noise Ratio (SNR): >76 dBA.
- Total Harmonic Distortion and Noise (THD+N): $<0.1\%$.
- Stereo crosstalk: -70 dB.
- Input impedance: 10k Ohms.
- Line level output; supports multimedia speakers.
- Maximum I/O levels: 3.1Vp-p (line level).
- CD quality audio output.

Additional USB Port

- Additional USB 2.0 port for local and remote user.
 - For the additional USB port on the local unit, connect any type of USB device (fully transparent USB connection).
 - For the additional USB port on the remote unit, use to connect a 3M or Elo USB touch screen monitor, SMART Board™ interactive whiteboard, SMART Podium™ interactive pen display, or CAC card reader.

CAUTION

Not an Ethernet device. Do not connect to an Ethernet device (card, router, switch, bridge). Permanent damage to the product or Ethernet device may result.

Distances and Resolutions for CAT5/CAT5e and CAT6 Cables

Cable	Distance (m)	Resolution
CAT5/CAT5e (UTP)	305	1920x1200 at 60Hz
	244	1920x1440 at 60Hz
	183	2048x1536 at 60Hz
CAT6 (UTP)	244	1920x1440 at 60Hz
	183	2048x1536 at 60Hz
CAT5/5e (STP)	244	1920x1200 at 60Hz
	183	1920x1440 at 60Hz
	122	2048x1536 at 60Hz
CAT6 (STP)	122	1280x1024 at 60Hz
	91	1600x1200 at 60Hz
	61	2048x1536 at 60Hz

VGA USB KVM Models

Supported Features	NTI Part #
USB KVM	ST-C5USBV-1000S
USB KVM + ADDITIONAL USB PORT	ST-C5USBVU-1000S
USB KVM + AUDIO	ST-C5USBVA-1000S
USB KVM + ADDITIONAL USB PORT + AUDIO	ST-C5USBVUA-1000S



330.562.1999
Worldwide fax



sales@ntigo.com



www.networktechinc.com

© 2009, 2010 NTI
All rights reserved