

HDMI OVER IP EXTENDER

Extend an HDMI Plasma/LCD display up to 101 meters away from a source



XTENDEX® ST-IPHDMI-R-333 (Front and Back)

Features & Applications

The XTENDEX® HDMI Over IP Extender multicasts digital video and audio signals to one or more receivers up to 101 meters away using CAT5e/6/7 cable.

Each HDMI Over IP Extender consists of a local unit that connects to an HDMI source, and a remote unit that connects to an HDMI display. The local and remote units can be connected together for a Point-to-Point connection, or through VLAN isolation on a managed network switch for a Point-to-Many connection.

- Supports HDTV resolutions to 1080p and computer resolutions to 1920x1200.
- Ideal solution for digital signage applications.
- Broadcast real-time HDMI video/audio to multiple display locations.
- Inexpensive CAT5e/6/7 cable replaces bulky video cables.
- Support for multiple transmitters requires a Managed network switch with VLAN/IGMP support. Standard LAN switches can only support one transmitter.
 - The managed switch must support port based IEEE 802.1Q VLAN, IGMP, and permit duplicate IP addresses across the VLAN domains.
 - Each VLAN acts as a separate HDMI Over IP Channel on the network.
 - Cascade managed switches up to 3 levels, allowing the farthest display to be located up to 305 meters away from the source device. Each receiver can be located up to 101 meters from the managed switch.
- Use a PC to access the built-in HTTP Interface of the managed network switch to control what signal is being watched at each location.
- Built-in scaler function allows different input and output resolutions without having to lower the quality of the HDMI source.
- Transmits an HDMI signal over one CAT5e/6/7 cable.
- Plug-and-Play installation allows receivers to find the transmitter automatically on the same network. (Network configuration may be required for Managed network switch.)
- Built in default EDID configuration table.
- Easily expandable. Add remote units as you add monitors.
- Internal JPEG video compression adapts to available bandwidth if needed.
- HDCP compliant.
- Compliant with HDMI 1.3 standard.
- Full IR control of HDMI source from remote HDTV extension in Point-to-Point connections.

Specifications

Local Unit

- One female HDMI-A port for source connection.
- One female 100Mbps RJ45 port for sending high definition video/audio signals and DDC signal.
- One female 3.5mm port for IR emitter.

Remote Unit

- One female HDMI-A port for HDTV or computer display.
- One female 100Mbps RJ45 port for receiving high definition video/audio signals and DDC signal.
- Signal type: HDMI 1.3, HDCP compliant.
- Supports HDTV resolutions to 1080p and computer resolutions to 1920x1200.
- Supports Linear PCM and Dolby Digital 5.1 audio through HDMI compatible TVs or audio receivers.
- Built-in IR receiver and one female 3.5mm port for optional IR receiver extension.

Power

- Local and remote unit: 100 to 240 VAC at 50 or 60 Hz via AC adapter.

Regulatory Approvals

- CE, FCC, RoHS

Warranty

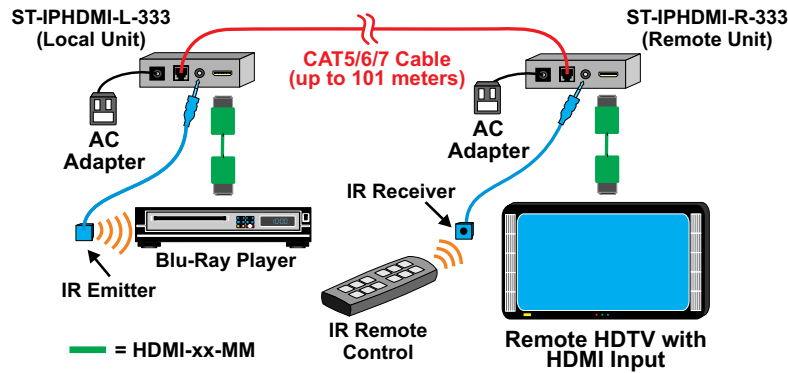
- Two years.



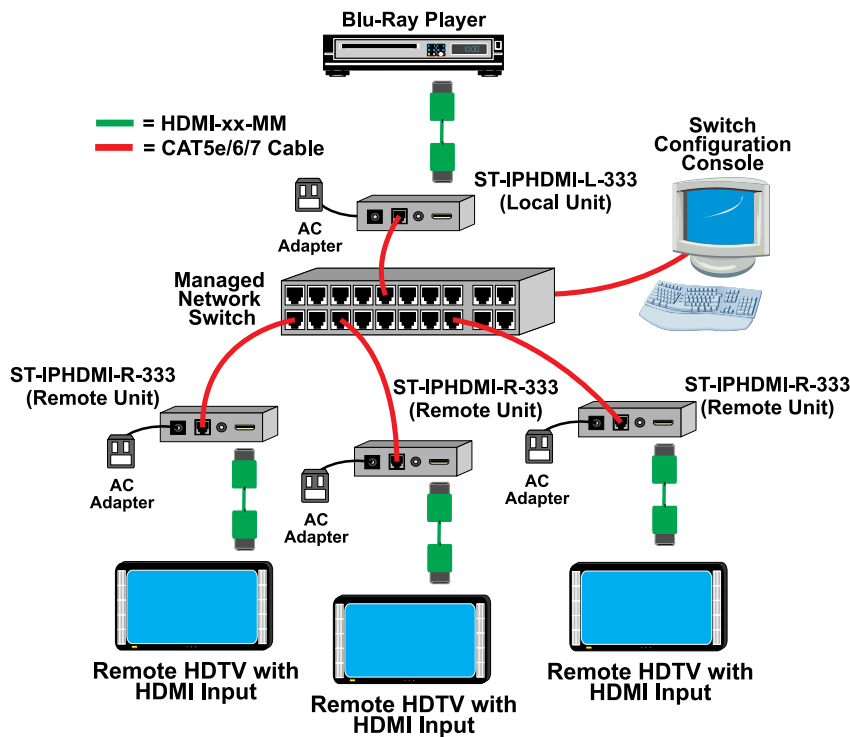
HDMI OVER IP EXTENDER

Extend an HDMI Plasma/LCD display up to 101 meters away from a source

Configuration and Cable Illustration



Point-to-Many Configuration:



HDMI Over IP Extender Models

NTI Part #	Local or Remote	Size WxDxH (mm)
ST-IPHDMI-L-333	Local	127x114x25
ST-IPHDMI-R-333	Remote	127x114x25

Cables

- Use HDMI-xx-MM cable to connect an HDMI source or display (not included).
- Use DVI-HDMI-xx-MM cable to connect a DVI source or display (not included).
- Use CAT5e/6/7 UTP straight through cable for TIA/EIA-568B wiring terminated with standard RJ45 connectors (not included).
- For IR extension, use 1-meter IR emitter IR-EMTR-3 and IR receiver IR-RCVR-3.



330.562.1999
Worldwide fax



sales@ntigo.com



www.networktechinc.com

© 2009, 2010 NTI
All rights reserved