

# DVI/HDMI Video Switch with Audio VIDMUX®

Share one DVI-D/HDMI monitor among multiple video sources



**VIDMUX® SE-DVI-4A (Front & Back)**



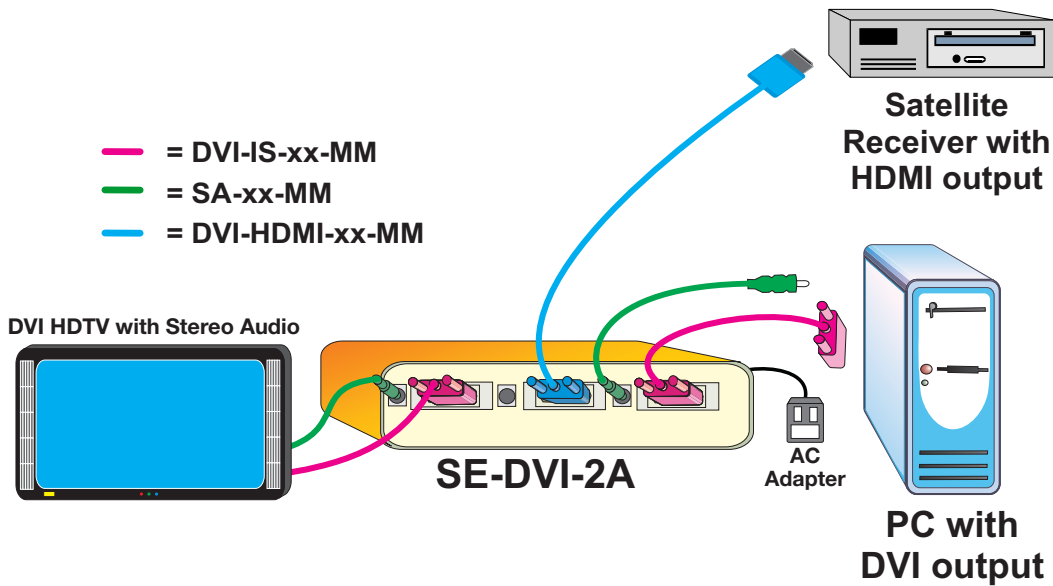
**VIDMUX® SE-DVI-4ARS (Front & Back)**

- **DVI + Audio**
- **DVI + Audio + RS232**

The VIDMUX® DVI/HDMI video switch enables one DVI/HDMI display and speakers to be switched between up to four single link digital DVI/HDMI video sources.

- Supports DVI interface for crisp and clear video quality on flat panel display.
- Supports HDTV resolutions up to 1080p and computer resolutions to 1920x1200 (WUXGA).
- Eliminates redundant video displays.

- Compliant with HDMI 1.3 and HDCP standards.
- Supports the DDC2B protocol.
- 3.5mm stereo audio input for each channel.
- Passes HDMI audio signal through DVI-I port.
  - Transmit audio and video over a single cable with the DVI-HDMI-xx-MM male DVI-D to male HDMI cable.
- Control via top panel push button, infrared remote (IR) control, or optional RS232.
- IR remote control includes power on/off, mute function, and break-away audio (switch audio independent of video).



## Share one DVI-D/HDMI monitor among multiple video sources

### Specifications

#### Audio/Video Input

- Female DVI-I connectors.
- 3.5mm stereo audio jacks.
- Compatible with computers and HDTV video sources (satellite receivers, DVD players, etc) with single link digital DVI outputs.

#### Audio/Video Output

- One Female DVI-I connector.
- One 3.5mm stereo audio jack.
- Single link DVI-D signal.
- Supports HDTV resolutions to 1080p and computer resolutions to 1920x1200 (WUXGA).

#### Power

- 100 to 240 VAC at 50 or 60 Hz via AC Adapter.

#### Dimensions

- SE-DVI-2/4A WxDxH (in): 6.41x2.86x1.03
- SE-DVI-2/4ARS WxDxH (in): 6.46x2.77x1.55

#### Cables

#### Regulatory Approvals

- CE, FCC

#### Warranty

- Two years

### Control Methods

#### RS232 Control Option

- Control
  - Female DB9 connector.
  - Baud rate 300 through 9600.
  - Address up to 15 units, all of which can be daisy-chained and controlled by one serial port.
  - Add "RS" to the end of the part number to specify this option.
- Commands
  - RS - causes switch to reset so that IN1 connects to OUT1, IN2 connects to OUT2.
  - CS - causes one INx/OUTx connection to occur.
  - CA - causes all inputs to connect to specified output.
  - RO - reads what input is connected to specified output.
  - RU - reads size of matrix, reports number of inputs and number of outputs on specified switch.

### Cables

- SE-DVI-2A: Three 6" Male to Female Stereo Audio low profile extension cables included.
- SE-DVI-4A: Five 6" Male to Female Stereo Audio low profile extension cables included.
- Use DVI-IS-xx-MM DVI-I cable and SA-xx-MM Male to Male Stereo Audio cable to connect an DVI-D source or display with speakers (not included).
- Use DVI-HDMI-xx-MM DVI-D to HDMI interface cable to connect the video source or display with integrated speakers (not included).

DVI Switch		
Supported Features	NTI Part #	# of Ports
DVI + Audio	SE-DVI-2A	2
DVI + Audio	SE-DVI-4A	4
DVI + Audio + RS232	SE-DVI-2ARS	2
DVI + Audio + RS232	SE-DVI-4ARS	4