

Low-Cost 4-Port USB 2.0 Extender via CAT5 up to 328 Feet

XTENDEX®

Extend four USB 2.0 device up to 328 feet (100 meter)

- Extend self-powered and/or bus-powered USB peripheral devices (security cameras, printer, scanner, keyboard, etc.).
- Extend up to 656 feet (200 meter) by using two CAT5e/6 cables to connect the extender to an Ethernet switch.
 - The local unit connects to the Ethernet switch using a single CATx cable up to 328 feet (100 meter). The remote unit extends from the Ethernet switch using a separate CATx cable up to 328 feet (100 meter).
- Transparent data extension.
- Supports high-speed (150 Mbps), full-speed (12 Mbps), or low-speed (1.5 Mbps) USB devices.
- Compliant with USB 2.0 specifications.
- Supports Plug-n-Play specification.



XTENDEX® USB2-C5-4LC-328 (Remote & Local Unit)

The XTENDEX® 4-Port USB 2.0 Extender extends four USB devices up to 328 feet (100 meter) using CAT5e/6 cable. Each extender consists of a local unit that connects to a computer, and a remote unit that connects to four USB devices. The local and remote units are interconnected via CAT5e/6 cable. Extend self-powered and/or bus-powered USB peripheral devices

Specifications

Local Unit

- One female USB Type B connector.
 - Must connect directly to a computer; will not work connected to a USB hub.
- One female RJ45 connector.
- Multiplatform support: Windows XP/Vista/7/8/10.

Remote Unit

- Four female USB Type A connectors.
- Supports high-speed (150 Mbps), full-speed (12 Mbps), or low-speed (1.5 Mbps) USB devices.
- Supports self-powered and/or bus-powered USB devices.
 - Does not support USB hubs.

Power

- Local unit: powered from attached computer.
- Remote unit: 100 to 240 VAC at 50 or 60 Hz via AC adapter. (US AC adapter included.)
 - Optional universal power plug adapters available (not included).
- The combined current consumption of the connected devices cannot exceed 1.5A.

Dimensions

- WxDxH: 3.75x2.68x0.92 in (95x68x23 mm).

Environmental

- Operating temperature: 32 to 122°F (0 to 50°C).
- Storage temperature: -20 to 140°F (-30 to 60°C).
- Operating/storage relative humidity: 17 to 90% non-condensing RH.

Max Distance

- Operating temperature: 32 to 122°F (0 to 50°C).
- Storage temperature: -20 to 140°F (-30 to 60°C).
- Operating/storage relative humidity: 17 to 90% non-condensing RH.

Warranty

- Two years

Package Includes

- USB Extender (local and remote unit)
- USB Type A to Type B male-to-male cable
- User manual
- US AC adapter
- CD with installation drivers

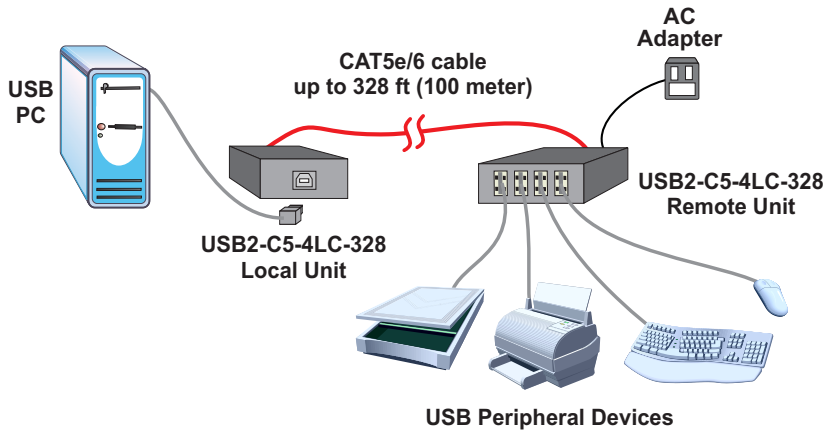
Cables

- Use CAT5e/6 UTP straight through cable for TIA/EIA-568B wiring terminated with standard RJ45 connectors (not included) to extend up to 328 feet (100 meter).
- Extend up to 656 feet (200 meter) by using two CAT5e/6 cables to connect the extender to an Ethernet switch.
 - The local unit connects to the Ethernet switch using a single CATx cable up to 328 feet (100 meter). The remote unit extends from the Ethernet switch using a separate CATx cable up to 328 feet (100 meter).

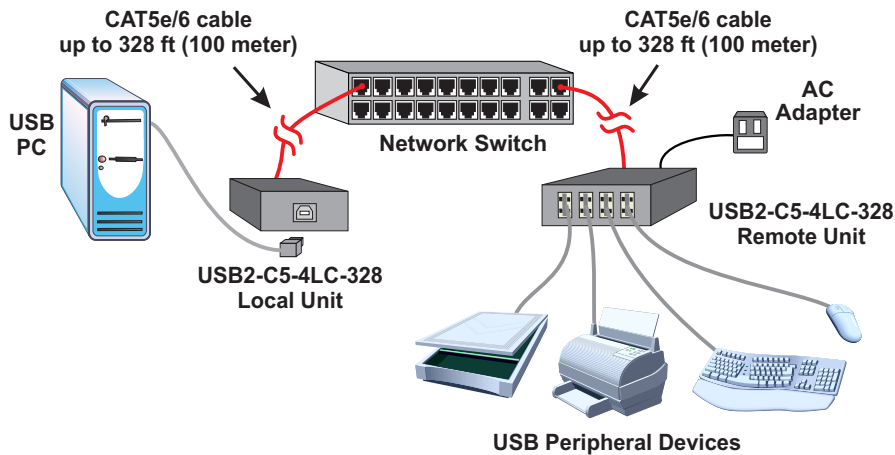
Low-Cost 4-Port USB 2.0 Extender via CAT5 up to 328 Feet XTENDEX®

Extend four USB 2.0 device up to 328 feet (100 meter)

Configuration and Cable Illustration



Low-Cost 4-Port USB 2.0 Extender via CAT5: Extend to 328 feet (100 meter)



Low-Cost 4-Port USB 2.0 Extender via CAT5: Extend to 656 Feet (200 meter) with a Network Switch