

3G-SDI to DVI Converter/Extender via Fiber Cable to 1,640 ft

SPLITMUX®

Converts 3G-SDI/HD-SDI/SD-SDI to DVI video and extends up to 1,640 feet.

- Connects a computer or camera with a 3G-SDI/HD-SDI/SD-SDI video signal to a DVI display.
- Use with an optical receiver (ST-1FODVI-R-SC) to extend a remote DVI monitor 1,640 feet (500 meters)
 - Signal transmission via single-strand multimode (50-micron or 62.5-micron) SC fiber optic cable - no RF interference.
- Supports resolutions to 1080p.
- Auto-detects 3G, HD or SD-SDI format.
- Complies with DVI 1.0 standard.



3GSDI-DVI-FOSC (Front & Back)

- **Convert SD/HD/3G-SDI video into a DVI**
- **Extend up to 1,640 feet**

The 3G-SDI to DVI Converter/Extender converts SD/HD/3G-SDI video into a DVI signal that can be extended up to 1,640 feet (500 meters) using single-strand multimode SC fiber optic cable.

The Converter/Extender system has two components: the 3GSDI-DVI-FOSC converter/transmitter, which connects to the SD/HD/3G-SDI video source and also supplies video to a local DVI monitor, and an optional ST-1FODVI-R-SC receiver that connects to a remote DVI monitor. The units are interconnected by a single-strand multimode SC fiber optic cable.

Specifications

CONVERTER (3GSDI-DVI-FOSC)

Video Input

- One female BNC connector for SD/HD/3G-SDI input signals.
- Input signals: SMPTE 259M-C (270 Mbps), SMPTE 292M (1.485, 1.485/1.001 Gbps), and SMPTE 424M (2.970, 2.970/1.001 Gbps).

Video Output

- One female DVI-I single link connector for DVI output.
- One female SC fiber connector for optical DVI output.
- Supports resolutions to 1080p

Power

- 100 to 240 VAC at 50 or 60 Hz via AC adapter.

Environmental

- Operating temperature: 32 to 122°F (0 to 50°C).
- Relative humidity: 10 to 80% non-condensing RH.
- Storage temperature: -4 to 158°F (-20 to 70°C).

Dimensions

- WxDxH in: 3.90x4.61x0.83 (99x117x21 mm).

Regulatory approvals

- RoHS.

Warranty

- Two years.

Optical Receiver (ST-1FODVI-R-SC)

Video Input

- One female SC fiber connector for optical DVI input.

Video Output

- One male DVI-D single link connector for DVI output.
- Supports resolutions to 1080p.

Power

- 100 to 240 VAC at 50 or 60 Hz via AC adapter.

Environmental

- Operating temperature: 32 to 122°F (0 to 50°C).
- Relative humidity: 10 to 80% non-condensing RH.
- Storage temperature: -4 to 158°F (-20 to 70°C).

Dimensions

- WxDxH in: 1.57x2.64x0.59 (40x67x15 mm).

Regulatory approvals

- FCC, RoHS.

Warranty

- Two years.

Cables

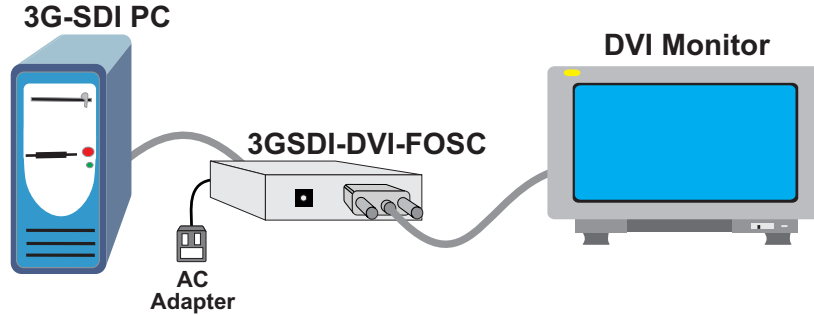
- Use a FIBER-S-SCSC-50-xM (simplex multimode SC 50-micron) fiber optic cable to extend the remote unit up to 1,640 ft (not included).
 - Simplex multimode SC 62-micron fiber optic cables are also compatible.

3G-SDI to DVI Converter/Extender via Fiber Cable to 1,640 ft

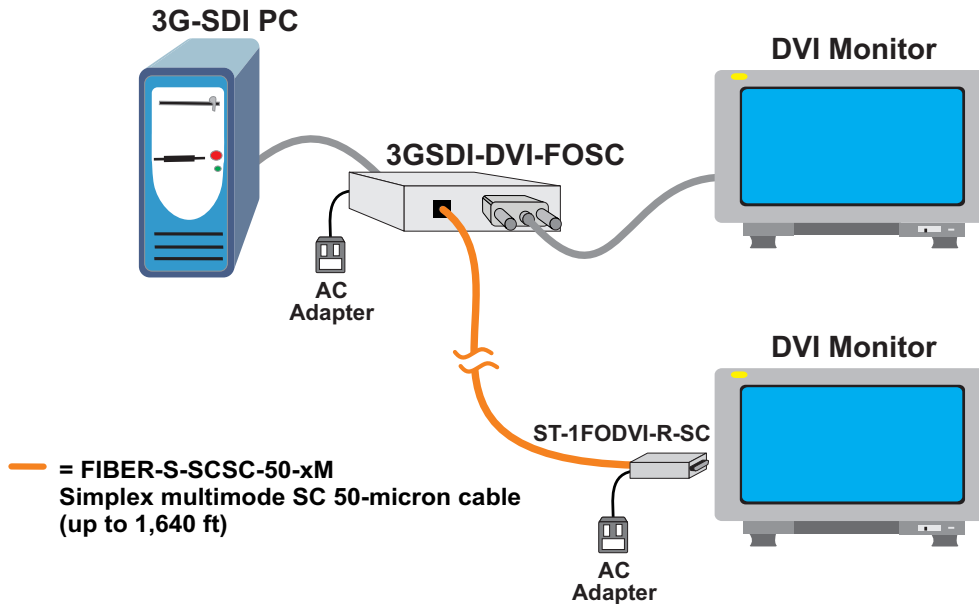
SPLITMUX®

Converts 3G-SDI/HD-SDI/SD-SDI to DVI video and extends up to 1,640 feet.

Configuration and Cable Illustration



Convert 3G-SDI/HD-SDI/SD-SDI to DVI video



Convert 3G-SDI/HD-SDI/SD-SDI to DVI video & extend up to 1,640 ft.