

4K 10.2Gbps HDMI Extender via One CATx Cable: Extend Uncompressed 4Kx2K Video up to 300 Feet

XTENDEX®

Extend a 4Kx2K HDMI display up to 300 feet away from the source.

- Transmits HDMI signal over one CAT5e/6/6a/7 solid cable.
 - Extend up to 150 feet with solid unshielded CAT5e/6 cable.
 - Extend up to 250 feet with solid shielded CAT5e/6 cable.
 - Extend up to 300 feet with solid CAT6a/7 cable (23 AWG).
- Supports Ultra-HD 4Kx2K resolutions to 3840x2160 (30Hz), 2K resolution 2048x1080, HDTV resolutions to 1080p, and up to 1920x1200 (WUXGA).
- Only one power supply is necessary to power both the local and remote units.
- HDMI features supported:
 - HDMI 1.4
 - x.v.Color, sYCC601 color, Adobe RGB Color and Adobe YCC601 color
 - Dolby TrueHD, DTS-HD Master Audio, Dolby Digital, and DTS
 - Bandwidth up to 340 MHz (10.2 Gbps).
 - Support for CEC (consumer electronic control) compatible devices.
 - Lip Sync
- HDCP compliant.
- Supports the DDC2B protocol.
- Mounting brackets included for easy surface/wall mounting.
- High quality, rugged steel construction with durable powder coat finish.

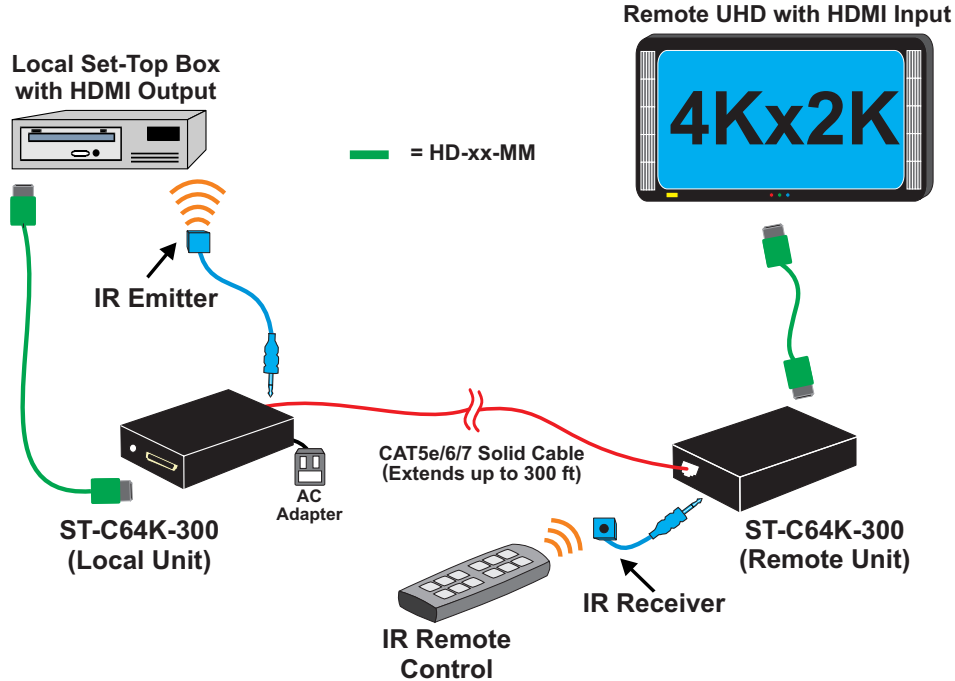


**ST-C64K-300
(Local and Remote Units)**

- Extend 4Kx2K @30Hz up to 300 ft via one CATx cable

The XTENDEX® 4K HDMI Extender transmits uncompressed digital Ultra-HD 4Kx2K 30Hz HDMI signal and IR up to 300 feet over a single CATx solid cable. Each video extender consists of a local unit that connects to an HDMI source and a remote unit that connects to an HDMI display.

Configuration and Cable Illustration



4K HDMI Extender via One CATx Cable: Extend Uncompressed 4Kx2K Video up to 300 Feet

XTENDEX®

Extend a 4Kx2K HDMI display up to 300 feet away from the source.

Specifications

Local Unit

- Compatible with a computer or Ultra-HD video source with HDMI output.
- One female HDMI connector.
- One female 3.5mm port for IR emitter.
- One female RJ45 port for sending/receiving high definition video/audio signals, IR signal, CEC signal, and DDC signal.

Remote Unit

- One female HDMI connector for display.
- One female 3.5mm port for IR receiver.
 - IR frequency range: 33 to 40 kHz.
 - Center Carrier Frequency: 36 kHz.
- One female RJ45 port for sending/receiving high definition video/audio signals, IR signal, CEC signal, and DDC signal.
- Supported video resolutions:
 - Ultra-HD 4Kx2K resolutions (3840x2160 @ 30Hz)
 - 2K Cinema (2048x1080 @ 60Hz)
 - HDTV resolutions to 1080p
 - Up to 1920x1200 (WUXGA)
- Supports embedded digital audio through HDMI compatible TVs or audio receivers.
- Auto equalization for different lengths of CAT5e/6/7 cable.

Dimensions

- WxDxH (in): 2.54x3.08x1.08 (65x78x27 mm)

Power

- Powered from a single power supply attached to either the local or remote unit.
- Local or remote unit: 100 to 240 VAC at 50 or 60 Hz via AC adapter. (Country-specific AC adapter included.)

Environmental

- Operating temperature: 32 to 122°F (0 to 50°C).
- Storage temperature: -22 to 140°F (-30 to 60°C).
- Operating/storage relative humidity: 5 to 90% non-condensing RH.

Regulatory Approvals

- CE, RoHS
- TAA compliant

Max Distance

- 150 feet (46 meters) over CAT5e/6 solid unshielded shielded cable.
- 250 feet (76 meters) over CAT5e/6 solid shielded cable.
- 300 feet (91 meters) over CAT6a/7 solid cable (23 AWG).

Cables

- Use HD-xx-MM cable to connect an HDMI source or display.
- Use DVI-HD-xx-MM cable to connect a DVI source or display.
- Use CAT5e/6/7 straight through cable for TIA/EIA-568B wiring terminated with standard RJ45 connectors (not included).
 - CAT5e/6 solid unshielded: up to 150 feet.
 - CAT5e/6 solid shielded: up to 250 feet.
 - CAT6a/7 solid (23 AWG): up to 300 feet.

Warranty

- Two years

Compatible NTI Products

- Combine NTI's extenders, switches, splitters and cables for complex applications
 - Low-Cost 4K HDMI Video Matrix Switch (SM-nXm-4K18GB-LC)
 - ◆ Each output on the switch must be set to 3840x2160 @ 30Hz.