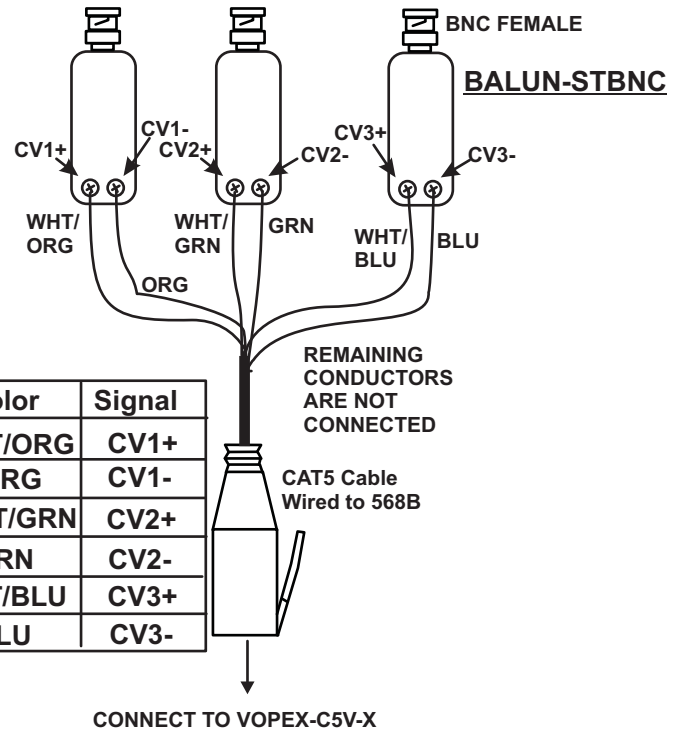
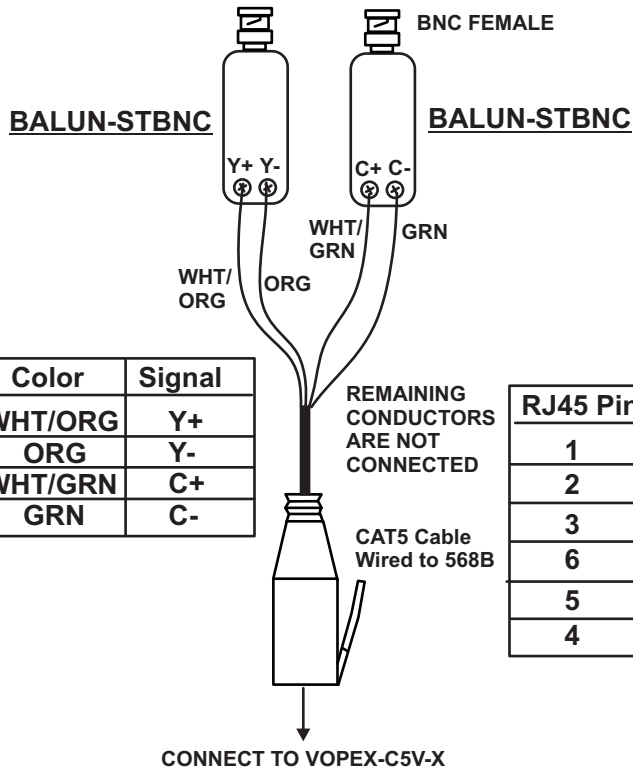
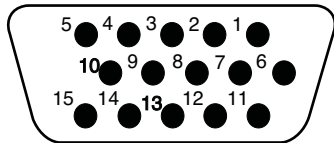


S-VIDEO CONFIGURATION

COMPOSITE VIDEO CONFIGURATION



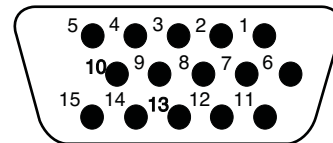
Mating face of a 15HD female VGA VIDEO



UNBALANCED

15HD Pin#	SIGNAL	DESCRIPTION
1 (Red In)	Y+	Luminance
2 (Green In)	C+	Chrominance
6	Ground Y	Signal Ground Y
7	Ground C	Signal Ground C

Mating face of a 15HD female VGA VIDEO



UNBALANCED

15HD Pin#	SIGNAL	DESCRIPTION
1 (Red In)	CV1	Composite Video Input 1
6	Ground 1	Signal Ground 1
2 (Green In)	CV2	Composite Video Input 2
7	Ground 2	Signal Ground 2
3 (Blue In)	CV3	Composite Video Input 3
8	Ground 3	Signal Ground 3