

SNMP and Web Monitoring/Management of Critical IT and A/V Operations

Environment Monitoring

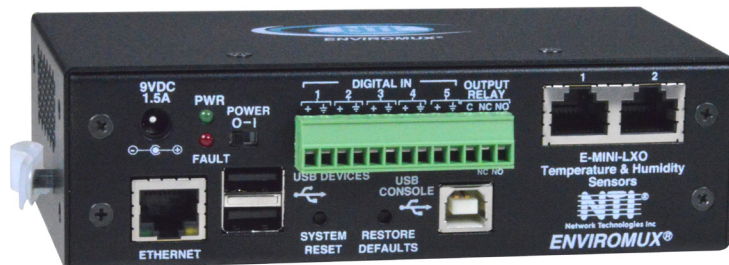
- Temperature
- Humidity
- Water Leaks
- Smoke
- Power
- Motion / Intrusion
- Vibration
- Carbon Monoxide

Alert Notifications

- Email
- SNMP
- Voice Phone Calls
- SMS Messages
- Front Panel LEDs
- Web Page

Key Features

- Sensors are hot pluggable
- Monitor (ping) up to 16 IP network devices – alerts are sent if devices are not responding
- Sensor conditions (events) can be configured to trigger alerts by themselves, and/or be used in combination with other events to trigger Smart Alerts.
- Integrates with various Open Source monitoring packages – Nagios, MRTG and others.
 - The unit can be polled via SNMP.
- Optional battery backup – alerts are sent when there is a power outage and when power returns
- USB ports for connecting USB modem, for downloading log data to USB flash drive, and for serial terminal interface
- Flexible Zero-RU mounting; optional DIN mounting available
- Supports IP network video cameras for live view of any facility.
- Security: HTTPS, SSHv2, SSLv3, TLS, IP Filtering, LDAPv3, AES 256-bit encryption, 16-character username/password authentication, user account restricted access rights.
- Linux inside
- Optional industrial model for high temperature environments. This industrial system has the ability to operate and monitor in harsh environments at high temperatures up to 167°F (75°C).

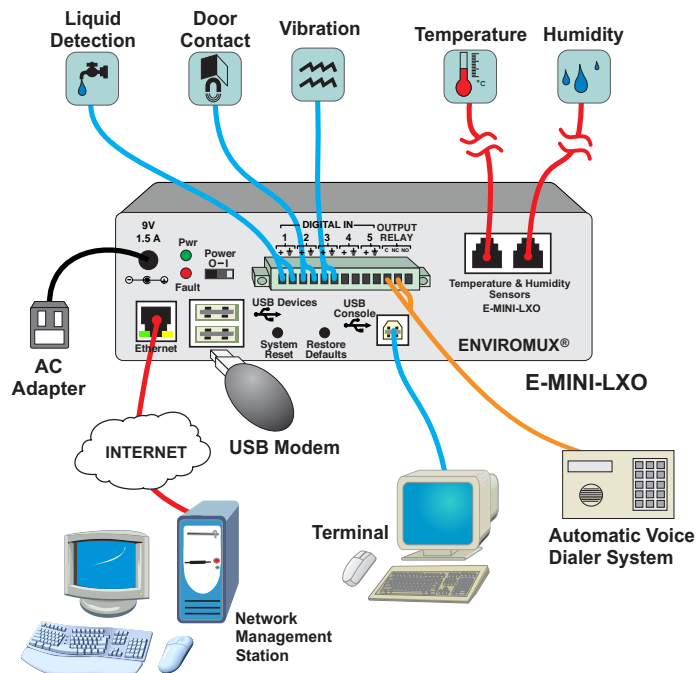


E-MINI-LXO

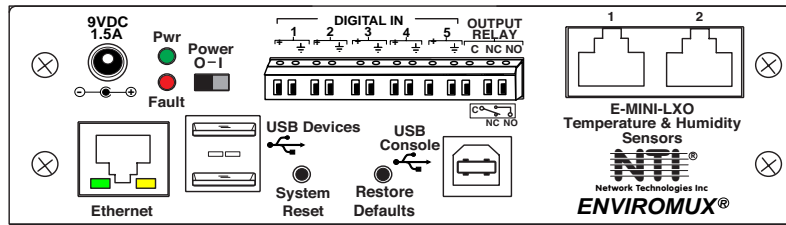
- **Configure Smart Alerts for different event combinations**
- **2 temp/humidity ports, 5 digital inputs, 1 output relay**
- **Linux inside**

The ENVIROMUX® Mini Server Environment Monitoring System monitors critical environmental conditions (such as temperature, humidity, and water leakage) that could destroy network components in your server room. When a sensor goes out of range of a configurable threshold, the system will notify you via email, SNMP traps, web-page alerts, a visual indicator (red LED), voice phone calls (via Automatic Voice Dialer System), and SMS messages (via email-to-SMS or external USB modem).

Configuration and Cable Illustration



SNMP and Web Monitoring/Management of Critical IT and A/V Operations



E-MINI-LXO / E-MINI-LXO-IND	
Sensor Ports	2 RJ45 jacks
Digital Inputs	5 screw terminal pairs
Output Relay	1 screw terminal pair; normally open / normally closed connection points
USB Console Port	One female USB Type B connector for terminal access
Ethernet Port	One 10/100 Base-T Ethernet port with RJ45 jack
USB Ports	2 female USB Type A connectors for connecting USB modem or for downloading log data to USB flash drive
Alerts	6 methods
Email	Authenticates
Web Page	Y
SNMP network management	Y
Front Panel LEDs	LEDs for sensors and power
Voice Phone Calls	Via Automatic Voice Dialer System (not included)
SMS Messages	Via external USB modem (not included)
Smart Alerts	<ul style="list-style-type: none"> Up to 50 sensor conditions (events) can be configured to trigger alerts by themselves Up to 20 Smart Alerts can be configured to use different event combinations to send alert messages
Control Methods	4 methods
Web Interface	HTTP/HTTPS Supports up to 16 user accounts
Telnet	Y Two user levels: user and administrator
Network Operation (SNMP)	V1/V2c/V3
USB Serial Interface	Y Two user levels: user and administrator
Monitor (Ping) IP Devices	Up to 16 devices
Restore Defaults Button	✓
System Reset Button	✓
Protocols	HTTP/HTTPS, SNMP V1/V2c/V3, SMTP, TCP/IP, Syslog, SNTP, DHCP, SSHv2, SSLv3, TLS v1.2, LDAPv3, AES 256-bit, 3DES, Blowfish, RSA, EDH-RSA, Arcfour, IPV6, WAP 2.0
Flash Upgradeable	Y
Operating Temperature	<ul style="list-style-type: none"> E-MINI-LXO: 32°F to 104°F (0°C to 40°C). E-MINI-LXO-IND: 32°F to 167°F (0°C to 75°C).
Storage Temperature	-20°F to 176°F (-20°C to 80°C).
Operating & Storage Relative Humidity	5 to 90% non-condensing RH
Power	<ul style="list-style-type: none"> 110 or 220 VAC at 50 or 60 Hz via AC adapter Optional backup battery – provides backup power for two hours Use the PWR-48V-12V1-6A DC-DC power converter to install the E-MINI-LXO in a 48V or 24V Telecom environment.
Dimensions WxDxH (in)	5.67x2.10x2.10
Mounting	Zero-RU Optional DIN rail mounting
Regulatory Approvals	CE, RoHS
Warranty	2 years