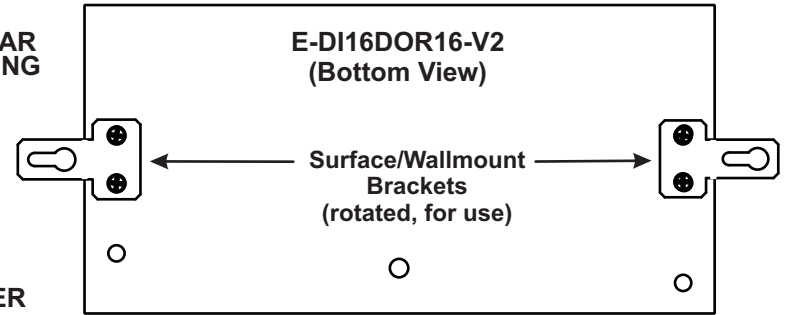
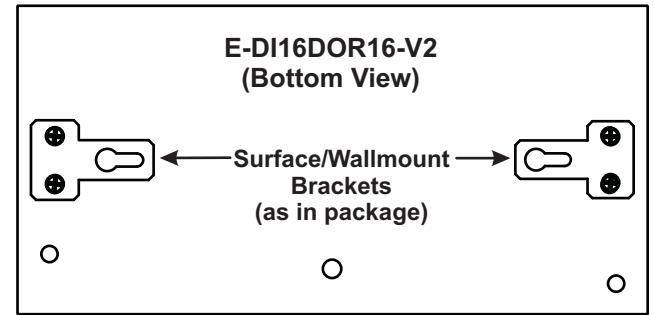
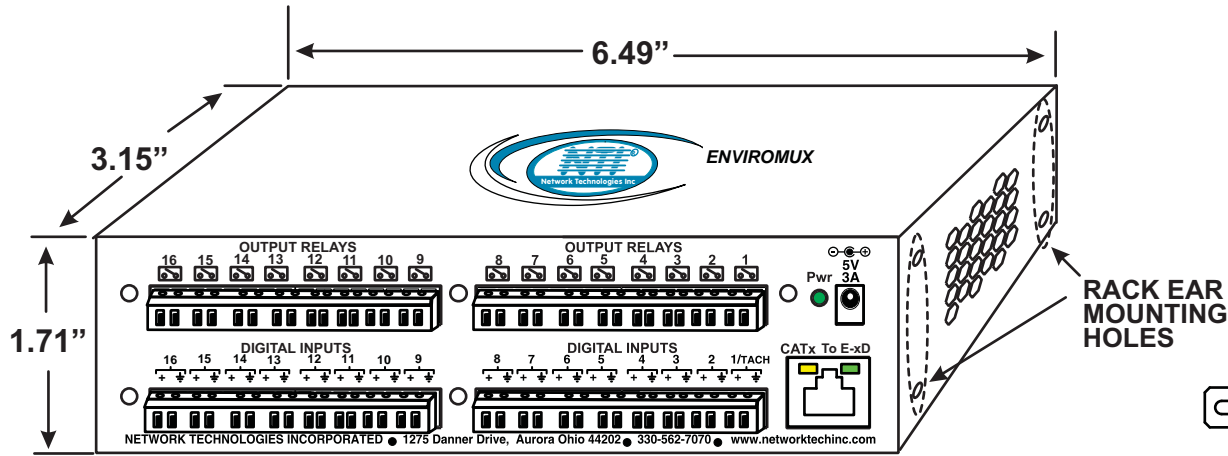
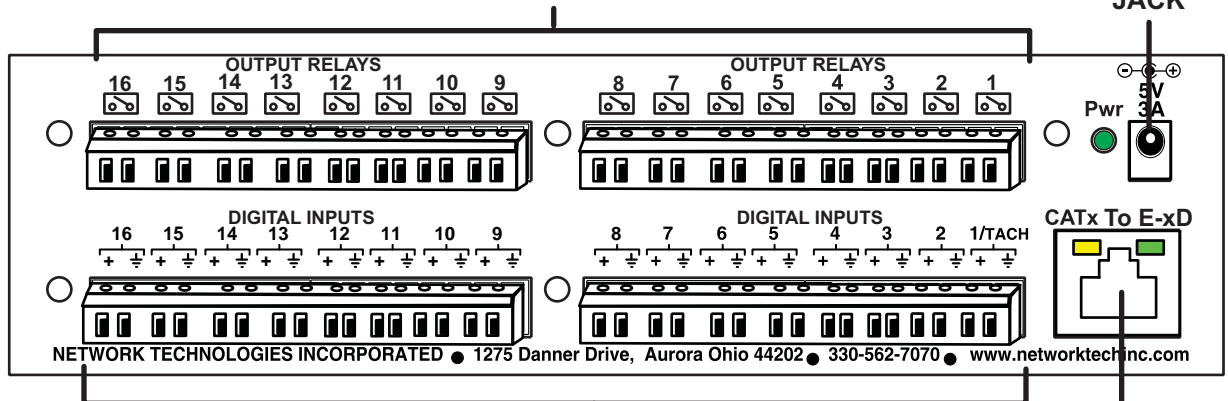


# E-DI16DOR16-V2



CONTROL UP TO 16 DIFFERENT DEVICES WITH NORMALLY-OPEN RELAY CONTACT OUTPUTS



CONNECT UP TO 16 CONTACT SENSORS TO DIGITAL INPUTS  
TERMINAL BLOCKS SUPPORT 16 TO 26AWG WIRE

POWER JACK  
RJ45 FEMALE CONNECT TO E-xD