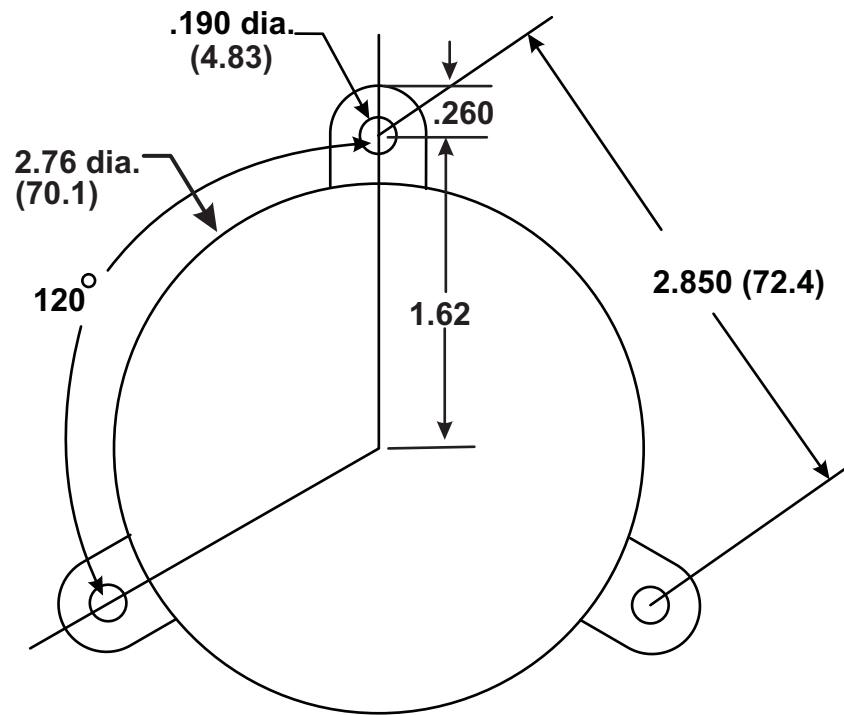
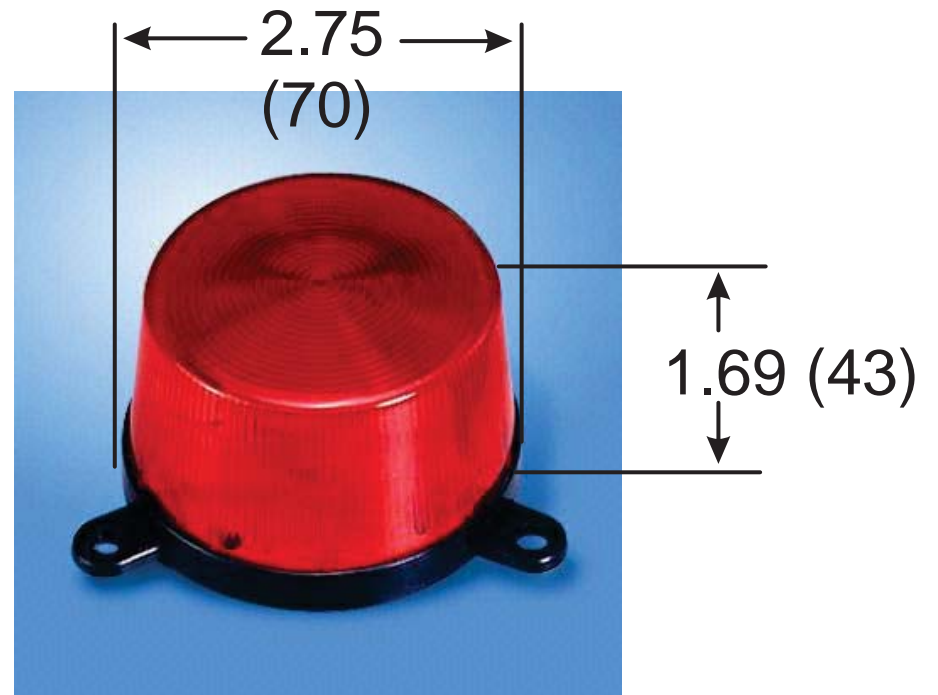


# NTI P/N: ENVIROMUX-BCN-R



## Mounting Pattern



UNITS: Inches (millimeters)

**NTI**® NETWORK  
TECHNOLOGIES  
INCORPORATED

1275 Danner Dr Tel:330-562-7070  
Aurora, OH 44202 Fax:330-562-1999  
www.networktechinc.com