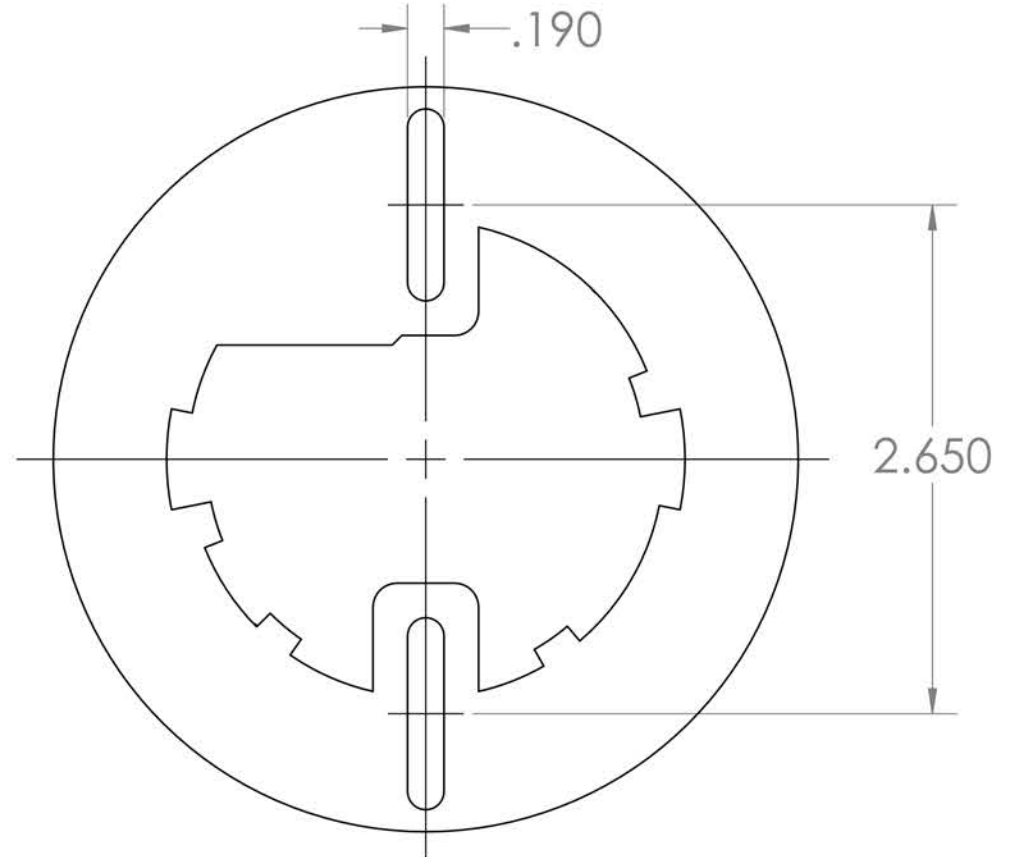
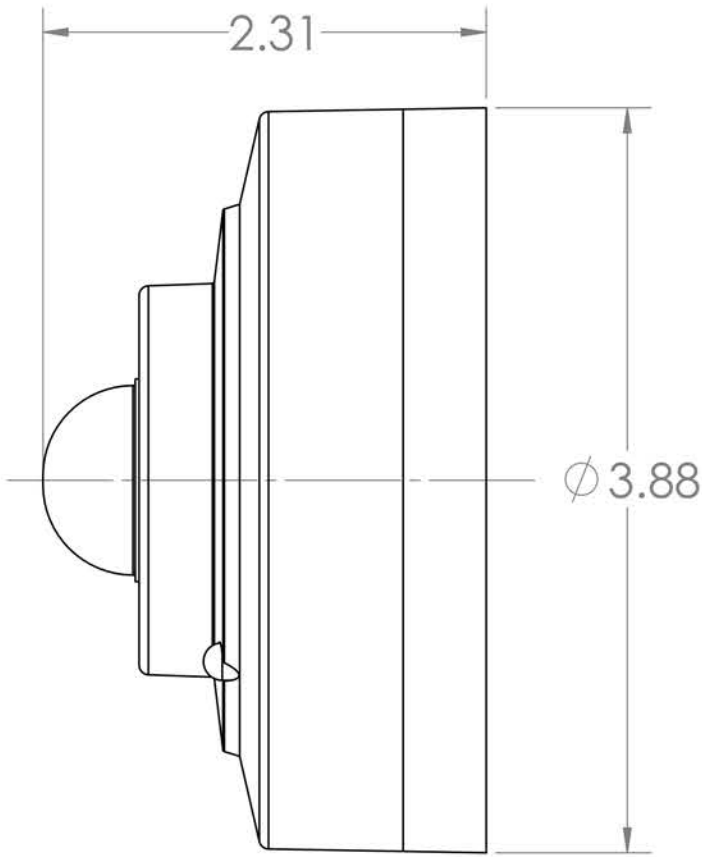
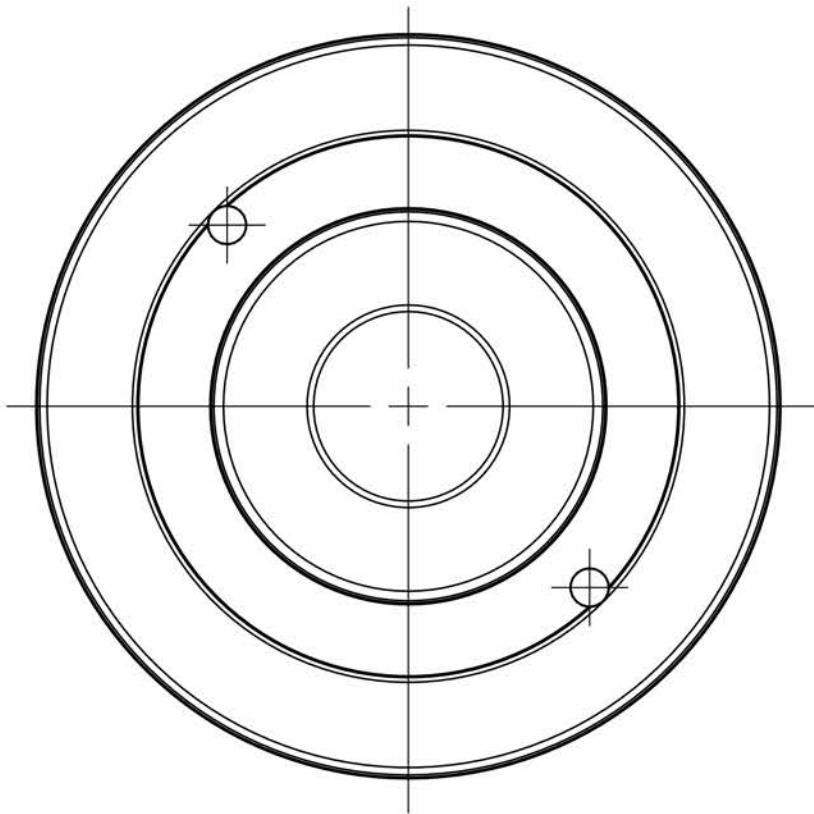
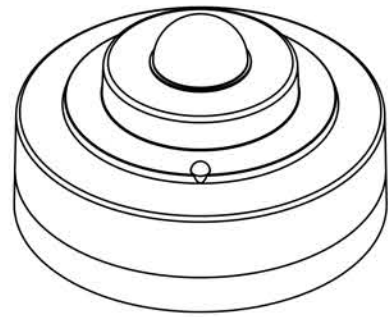


8 7 6 5 4 3 2 1

REVISIONS

REV.	DESCRIPTION	DATE	APPROVED
------	-------------	------	----------



D
C
B
A

D
C
B
A

PROPRIETARY AND CONFIDENTIAL
 THE INFORMATION CONTAINED IN THIS DRAWING IS THE SOLE PROPERTY OF NETWORK TECHNOLOGIES INC. ANY REPRODUCTION IN PART OR AS A WHOLE WITHOUT THE WRITTEN PERMISSION OF NETWORK TECHNOLOGIES INC. IS PROHIBITED.

		UNLESS OTHERWISE SPECIFIED:		NAME	DATE	NETWORK TECHNOLOGIES INC.	
		DIMENSIONS ARE IN INCHES		DRAWN	LS		TITLE: E-SDS
		TOLERANCES:		CHECKED			
		FRACTIONAL ±		ENG APPR.			
		ANGULAR: MACH ± 1/2° BEND ±		MFG APPR.			
		TWO PLACE DECIMAL ±0.010		Q.A.			
		THREE PLACE DECIMAL ±0.005		COMMENTS:			
		INTERPRET GEOMETRIC TOLERANCING PER:				SIZE	
		MATERIAL				DWG. NO.	
		SEE NOTE				REV	
NEXT ASSY	USED ON	FINISH				B	
		SEE NOTE				EMUX-SDS	
APPLICATION		DO NOT SCALE DRAWING				SCALE: 1:1	
						WEIGHT:	
						SHEET 1 OF 1	

8 7 6 5 4 3 2 1