

NTI P/N: FIBER-D-LCLC-50-xxM

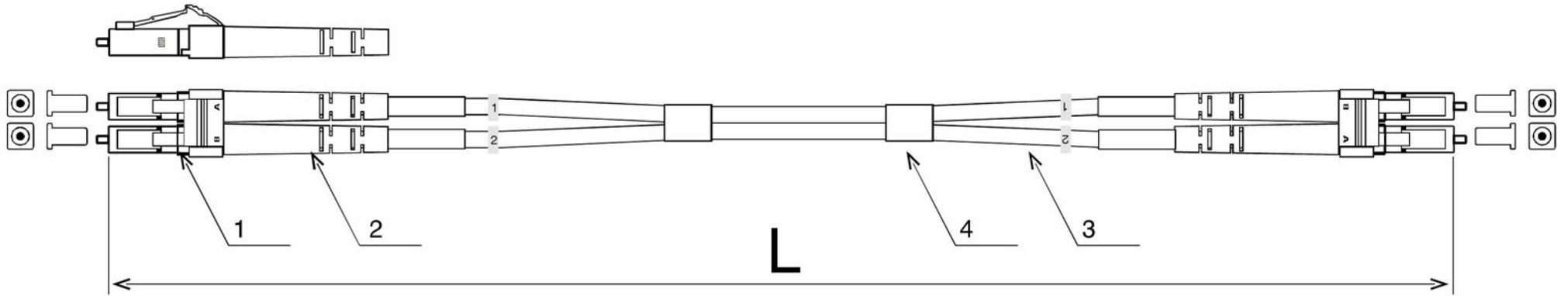


TABLE A

	Fiber Mode	MM
1-PLUG		Beige
2-BOOT		White
3-CABLE		Orange
4HEAT SHRINK TUBE		BLACK
Insertion Loss(dB)		≤0.3dB

TABLE B

Item	Value
Cable diameter(MM)	Φ 2.0
Cable type	PVC
Ferrule Interface type	UPC
Mode	MM:50/125
Cable length(M)	L= 20,30,40,50,100,300,500M

