



NETWORK 1275 Danner Dr Tel:330-562-7070
TECHNOLOGIES Aurora, OH 44202 Fax:330-562-1999
INCORPORATED www.nti1.com

13W3M-15HDF-ID

VGA Monitor-to-SUN Video Port Adapter Installation Manual



Warranty Information

The warranty period on this product (parts and labor) is one (1) year from the date of purchase. Please contact Network Technologies Inc at **(800) 742-8324** (800-RGB-TECH) or **(330) 562-7070** or visit our website at <http://www.nti1.com> for information regarding repairs and/or returns. A return authorization number is required for all repairs/returns.

COPYRIGHT

Copyright © 2004 by Network Technologies Inc. All rights reserved. No part of this publication may be reproduced, stored in a retrieval system, or transmitted, in any form or by any means, electronic, mechanical, photocopying, recording, or otherwise, without the prior written consent of Network Technologies Inc, 1275 Danner Drive, Aurora, Ohio 44202.

CHANGES

The material in this guide is for information only and is subject to change without notice. Network Technologies Inc reserves the right to make changes in the product design without reservation and without notification to its users.

INTRODUCTION

The 13W3M-15HDF-ID adapts video from a SUN computer video output to a 15 pin VGA multi-sync monitor.

INSTALLATION

1. Set DIP Switches (see table).
2. Connect the male 13W3 end to the video output on the SUN Monitor or CPU.
3. Connect the female 15HD end to the monitor or NTI switch.

DIP Switch settings to use for each SUN monitor

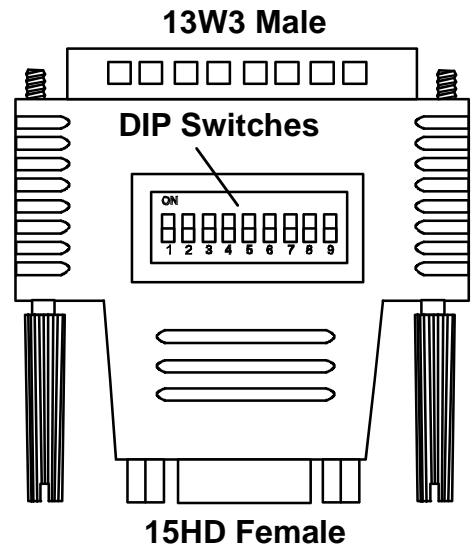
24"	365-xxxx	MODEL NUMBER	SWITCH SETTING
	1414	AI24P0	6,7
	1411	GDM-FW9010	6,7
	1421	GDM-FW9010	6,7
	1352	GDM-90W10	1,3,6,7
	1353	GDM-90W10	1,3,6,7
22"			
	1418	C22BW711	No adapter needed
	1419	C22BW711	No adapter needed
21"			
	1068	P21CU80	1,3,6
	1110	P21CU80	1,3,6
	1399	GDM-5410	2,3,6,7
	1400	GDM-5410	2,3,6,7
	1410	GDM-5410	2,3,6,7
	1408	GDM-5510	2,3,6,7
	1410	GDM-5510	2,3,6,7
	1383	GDM-5010PT	2,3,6,7
	1384	GDM-5010PT	2,3,6,7
	1385	GDM-5010PT	2,3,6,7
	1386	GDM-5010PT	2,3,6,7
20"			
	1167	GDM-20D10	2,3,6
	1287	GDM-20D10	2,3,6
	1290	GDM-20D10	2,3,6
	1313	GDM-20D10	2,3,6
	1322	GDM-20D10	2,3,6
	1324	GDM-20D10	2,3,6
	1325	GDM-20D10	2,3,6
	1326	GDM-20D10	2,3,6
	1330	GDM-20D10	2,3,6
	1331	GDM-20D10	2,3,6
	1332	GDM-20D10	2,3,6
	1333	GDM-20D10	2,3,6
	1335	GDM-20E20	2,3,6,7
	1337	GDM-20E20	2,3,6,7
	1340	GDM-20E20	2,3,6,7
	1342	GDM-20E20	2,3,6,7
	1168	20S5	1,2,6
	1320	Zenith	1,2,6

19"	365-xxxx	MODEL NUMBER	SWITCH SETTING
	1420	GH19PS	No adapter needed
	1038	GDM-1955A15	1,6
	1039	GDM-1955A40	1,6
	1065	GDM-1955A15	1,6
	1066	GDM-1955A40	1,6
	1081	GDM-1955A15	1,6
	1082	GDM-1955A40	1,6
	1380	CM751U	No adapter needed
	1381	CM751U	No adapter needed
	1403	CPD-4410	No adapter needed
	1404	CPD-4410	No adapter needed
	1405	CPD-4410	No adapter needed
	1095	GDM-1962	2,3,6
	1106	GDM-1962	2,3,6
	1112	GDM-1962	2,3,6
	1148	GDM-1962	2,3,6
	1153	GDM-1962	2,3,6
	1160	GDM-1962	2,3,6
	1162	GDM-1962	2,3,6
	1288	GDM-1962	2,3,6
	1010	M19P114A	2,3,6
	1009	M19P114A	2,3,6
	1053	M19P114A	2,3,6
	1046	M19P114A	2,3,6
	1071	M19P114A	2,3,6
	1008	M19P114T/6103	1,6
	1052	M19P114T/6103	1,6
18"			
	1394	LSA800	6,7
	1395	LSA800	6,7
	1415	GH18PS	No adapter needed

Notes: Models shaded grey will only function when connected to SUN CPUs. They are not compatible with PC CPUs. Models with switch setting "no adapter needed" already come with a 15HD connector on the cable.

17"	365-xxxx	MODEL NUMBER	SWITCH SETTING
	1055	17SMM1	1,6
	1094	17SMM1	1,6
	1100	17SMM4-A	1,6
	1109	17SMM4-B	1,6
	1157	17SMM4-A	1,6
	1354	X7102A	No adapter needed
		X7103A	No adapter needed
		X7104A	No adapter needed
	1355	X7103A-O	No adapter needed
	1396	X7126A	No adapter needed
	1397	X7126A-O	No adapter needed
	1406	X7143A	No adapter needed
	1407	X7143A-O	No adapter needed
	1417	X7147A	No adapter needed
	1343	Nokia	1,2,3,6,7
	1345	Nokia	1,2,3,6,7
	1316	GDM-17E10	3,6
	1319	GDM-17E10	3,6
	1321	GDM-17E10	3,6
	1338	GDM17E20	3,6,7
	1339	GDM17E20	3,6,7
	1341	GDM17E20	3,6,7
16"			
	1020	GDM-1604-15	No adapter needed
	1022	GDM-1604-40	No adapter needed
	1063	GDM-1604B-15	2,3,6
	1064	GDM-1604B-40	2,3,6
	1079	GDM-1604A-15	2,3,6
	1080	GDM-1604A-40	2,3,6
	1092	GDM-1604B-15	2,3,6
	1093	GDM-1604B-40	2,3,6
	1143	SPARC IPC	2,3,6
	1146	SPARC IPC	2,3,6
	1151	CPD-1790	1,6
	1164	CPD-1790	1,6
	1165	CPD-1790	1,6
	1166	CPD-1790	1,6
	1096	GDM-1662	3,6
	1107	GDM-1662(B)	3,6
	1113	GDM-1662(B)	3,6
	1130	GDM-1662B	3,6
	1147	GDM-1662B	3,6
	1159	GDM-1662B	3,6
	1161	GDM-1662B	3,6
	1289	GDM-1662B	3,6

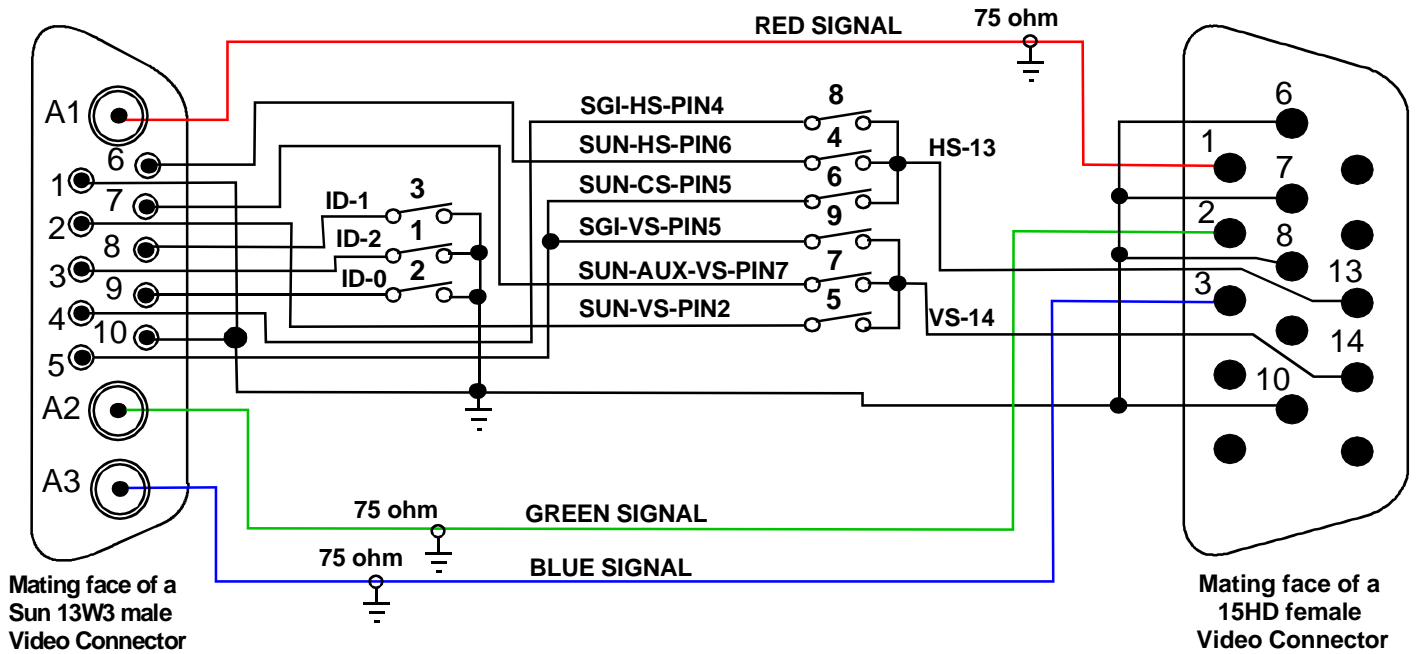
15"	365-xxxx	MODEL NUMBER	SWITCH SETTING
	1286	449A101 NOKIA	1,2,3,6,
	1300	449A101 NOKIA	1,2,3,6,
	1306	449A101 NOKIA	1,2,3,6,
	1308	449A101 NOKIA	1,2,3,6,
	1327	449A101 NOKIA	1,2,3,6,
14"			
	1350	CQB4157L	No adapter needed
	1351	CQB4157L	No adapter needed
	1388	CKA4227L	No adapter needed
	1389	CKA4227L	No adapter needed



Side View of 13W3M-15HDF-ID

Notes: Models shaded grey will only function when connected to SUN CPUs. They are not compatible with PC CPUs. Models with switch setting "no adapter needed" already come with a 15HD connector on the cable.

TECHNICAL SPECIFICATIONS



Adapter Pinouts

DIP Switch Functions

DIP SWITCH	FUNCTION
1	ID2 Gnd ID bit #2
2	ID1 Gnd ID bit #1
3	ID0 Gnd ID bit #0
4	Connect Horizontal Sync (13W3 Pin 6) to Horizontal Sync out (15HD Pin 13)
5	Connect Vertical Sync (13W3 Pin 2) to Vertical Sync out (15HD Pin 14)
6	Connect Composite Sync (13W3 Pin 5) to Horizontal Sync out (15HD Pin 13)
7	Connect Vertical Sync (13W3 Pin 7) to Vertical Sync out (15HD Pin 14)
8	Connect Horizontal Sync (13W3 Pin 4) to Horizontal Sync out (15HD Pin 13)
9	Connect Vertical Sync (13W3 Pin 5) to Vertical Sync out (15HD Pin 14)

Notes:

- Normal adapter setting for SUN is with switches 4 and 5 or switches 6 and 7 in the ON position, all others switched OFF.
- Switches 1, 2, and 3 are ID bits.
- DDC is not supported in this adapter