

XTENDEX™ Series

ST-C5HDA-600

ST-C5HDTV-600 EXTENDERS

Quick Installation Guide



The XTENDEX Series **ST-C5HDA-600** CAT5 Extender (XTENDEX) is designed to enable the signals from one HD video and digital audio source to be seen and heard through two HD televisions (HDTV) and digital audio receivers, one of each local and one of each remote. Possible sources include a DVD player, cable television box, home entertainment system, etc.. The remote HDTV and digital audio receiver can be located as much as 600 feet away from the source via Category 5 unshielded twisted-pair cable. The local HDTV and digital audio receiver will be located near the source.

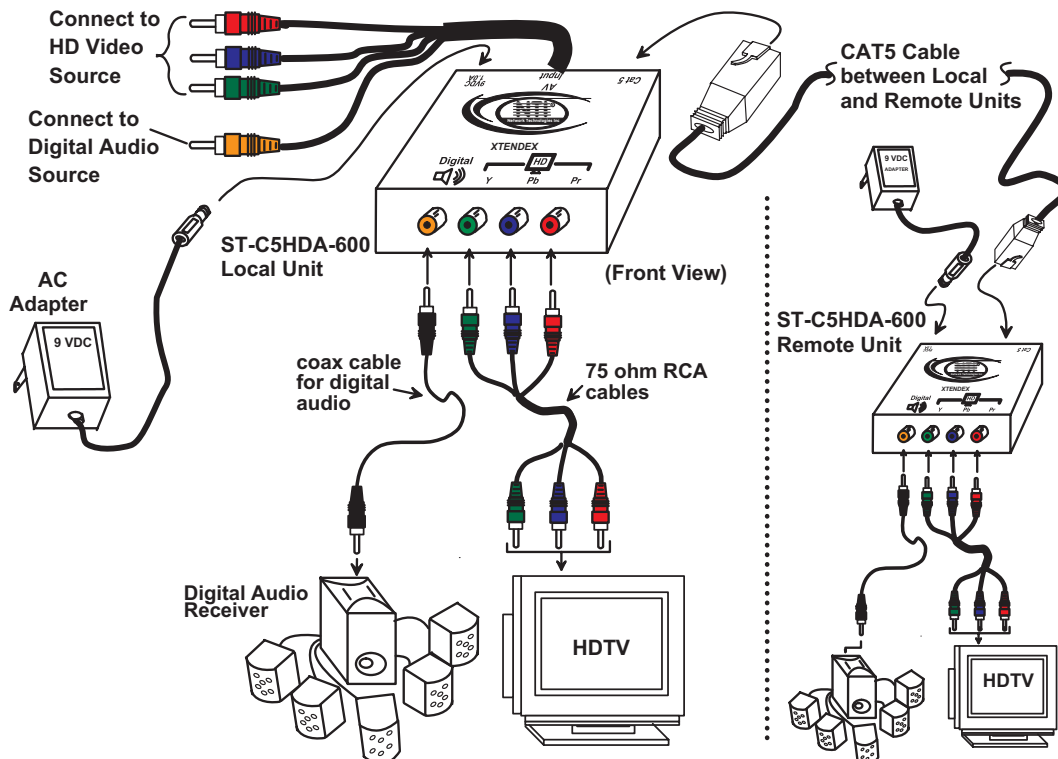
The XTENDEX Series **ST-C5HDTV-600** CAT5 Extender is the same as the ST-C5HDA except that it is compatible with a stereo audio source (HDTV Speakers, Home Theater or Stereo System, Stereo Amplifier, Headphones, Computer Speakers, etc) instead of a digital audio source.

Note: The audio output of the XTENDEX is compatible with self-powered stereo speakers (such as speakers integrated with the HDTV). Otherwise, connect the audio outputs to an audio receiver.

Position the XTENDEX such that all connections can be made without straining the cables. The CAT5 cables should be routed away from any sources of magnetic fields or electrical interference that might reduce the quality of the video and audio signals (i.e. AC motors, welding equipment, etc.).

Installation-ST-C5HDA-600

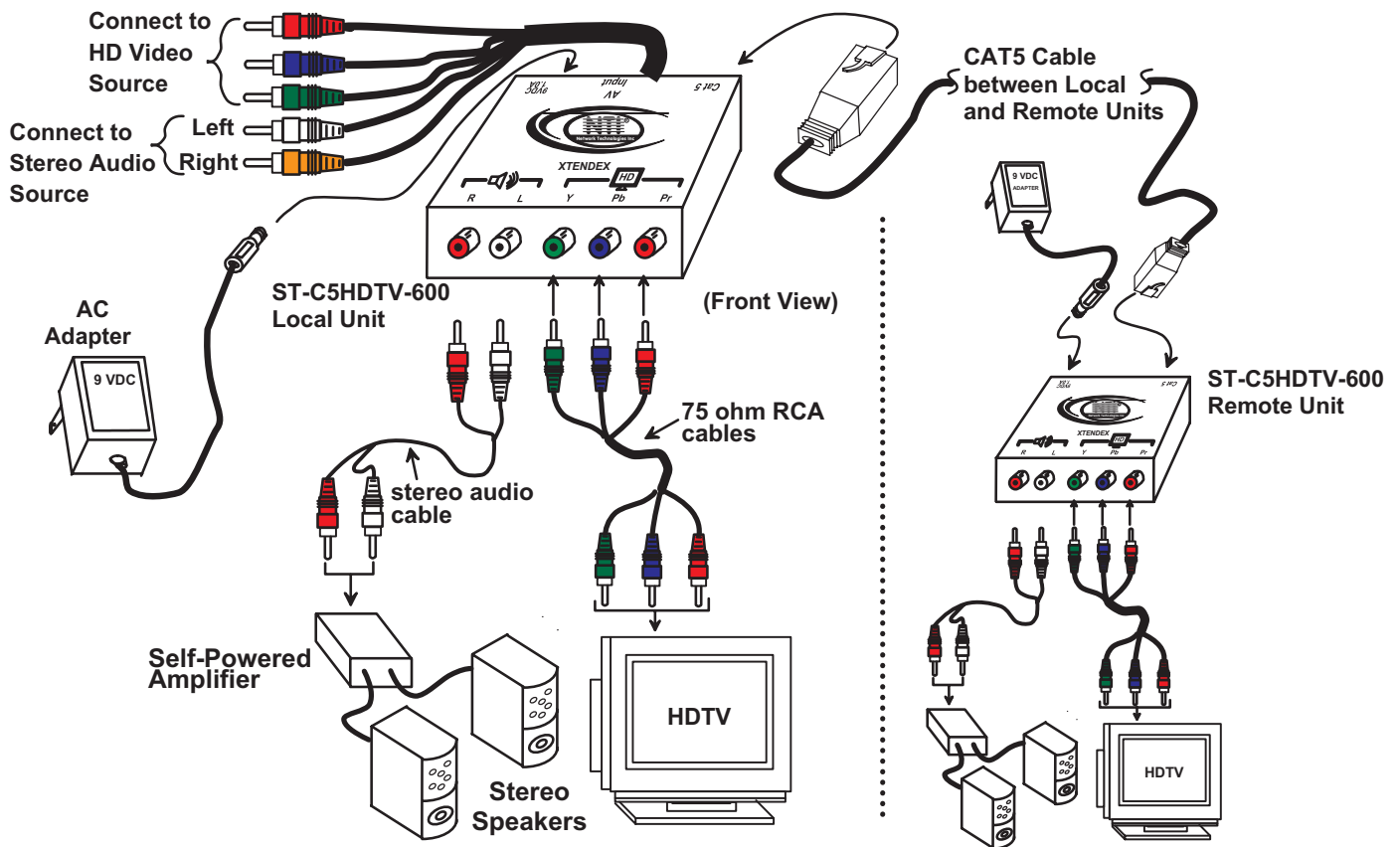
1. Connect the harness attached to the Local Unit to the audio/ video source. Red, blue, and green RCA connectors are for video connections and the orange connector is for the digital audio connection.
2. Connect the local HDTV (if desired) and digital audio receiver to the RCA jacks on the Local Unit. Match the colors on the RCA connectors to the colored jacks on the XTENDEX. Use 75 ohm RCA cables for the video connection and a digital coax cable for the audio.



3. Connect the remote HDTV and digital audio receiver to the RCA connectors on the Remote Unit in the same fashion as on the Local Unit.
4. Connect a CAT5 cable between the Local and Remote Units.
5. Connect the 9VDC AC adapters (supplied) to the Local and Remote Units and power them up. The HDTVs and digital audio receivers should function as if directly connected to the audio/video source.

Installation-ST-C5HDTV-600

1. Connect the harness attached to the Local Unit to the audio/ video source. Red, blue, and green RCA connectors are for video connections and the orange and white connectors are for the stereo audio connection (orange for right channel, white for left channel).
2. Connect the local HDTV (if desired) and stereo audio amplifier to the RCA jacks on the Local Unit. Match the colors on the RCA connectors to the colored jacks on the XTENDEX. Use 75 ohm RCA cables for the video connection and a stereo audio cable for the audio.
3. Connect the remote HDTV and stereo audio amplifier to the RCA connectors on the Remote Unit in the same fashion as on the Local Unit.
4. Connect a CAT5 cable between the Local and Remote Units.
5. Connect the 9VDC AC adapters (supplied) to the Local and Remote Units and power them up. The HDTVs and stereo audio amplifier should function as if directly connected to the audio/video source.



Note: CAT5 connection cable used between NTI XTENDEX Series Local and Remote or any XTENDEX Series products should not be run underground, outdoors or between buildings.



WARNING: Outdoor or underground runs of CAT5 cable could be dangerous and will void the warranty.

For more details, specifications, and troubleshooting tips, see the Installation and Operation Manual or go to www.networktechinc.com.