

RACKMUX® Series

RACKMUX-DRAWER

Installation Manual For Drawer with 20 Inch LCD Monitor

Your NTI RACKMUX Drawer was designed for easy installation with a minimum of tools and effort. Follow the simple steps below to quickly install your RACKMUX Drawer.

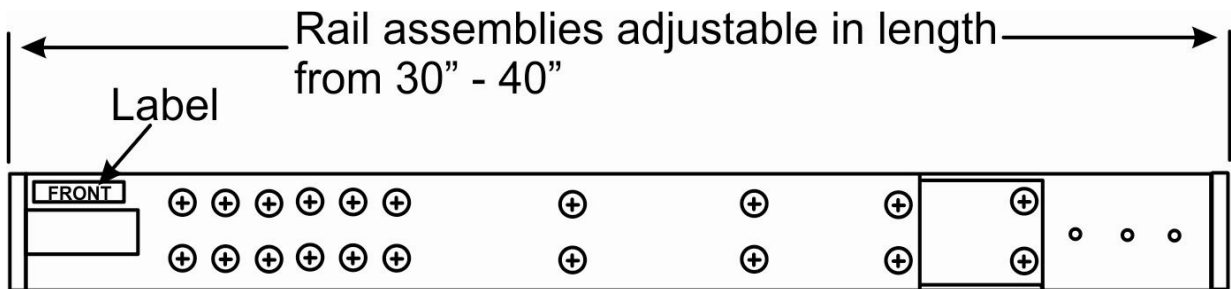
1. Locate and unpack the hardware bag. Your hardware bag will include all items necessary to install the specific RACKMUX model (see the manual that accompanied your RACKMUX drawer), including the following hardware unique to the Single-Person hardware installation:

- 8- #10-32 cage nut
- 8- #10-32 x 3/4" pan-head machine screw
- 6-#6-32 x 3/16" flat-head machine screw



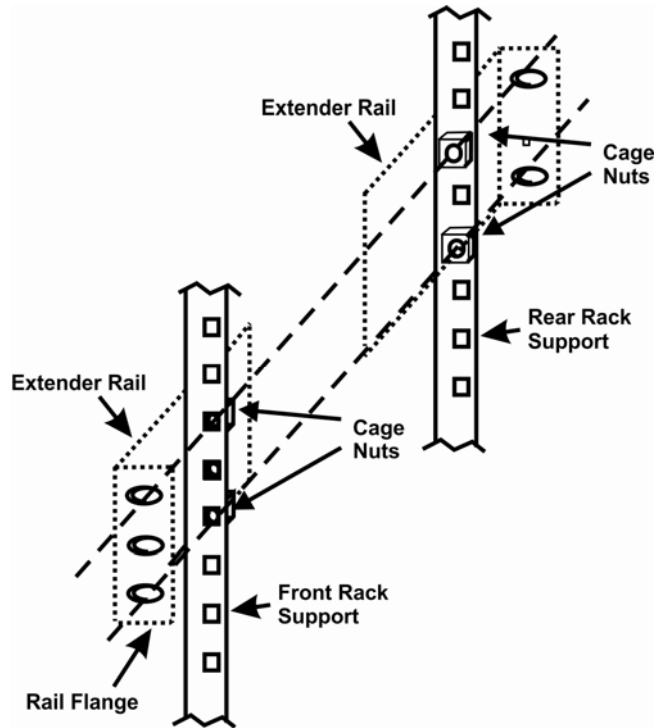
To install the rails you will need only a tape measure and Phillips screwdriver.

2. Unpack the rail assemblies. Each are labeled "FRONT" on one end to indicate their intended orientation (left and right assemblies are the same). Extend each rail assembly to the dimension required for your rack. Rail assemblies are adjustable to fit within a rack between 30" and 40" in depth.



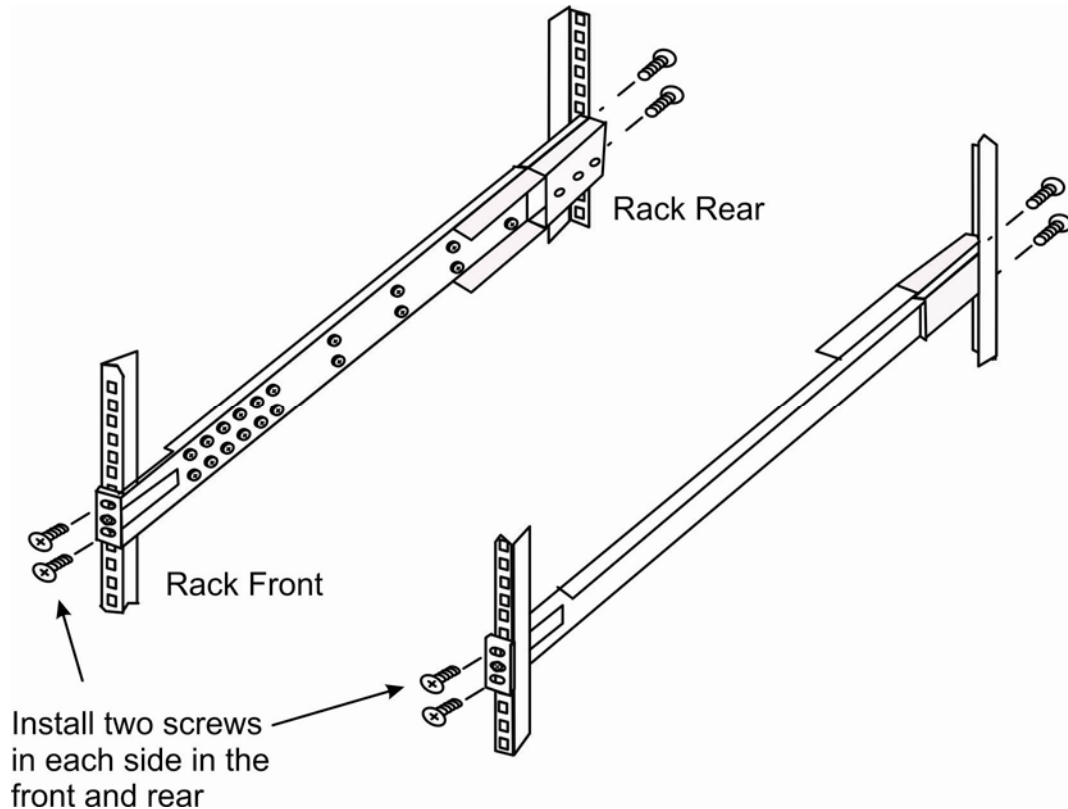
NTI RACKMUX DRAWER INSTALLATION

3. Install four #10-32 cage nuts at the front of the rack in positions where the RACKMUX will be mounted (two in each side). Install four more cage nuts at the rear of the rack in positions straight across from the upper and lower cage nuts installed in front.



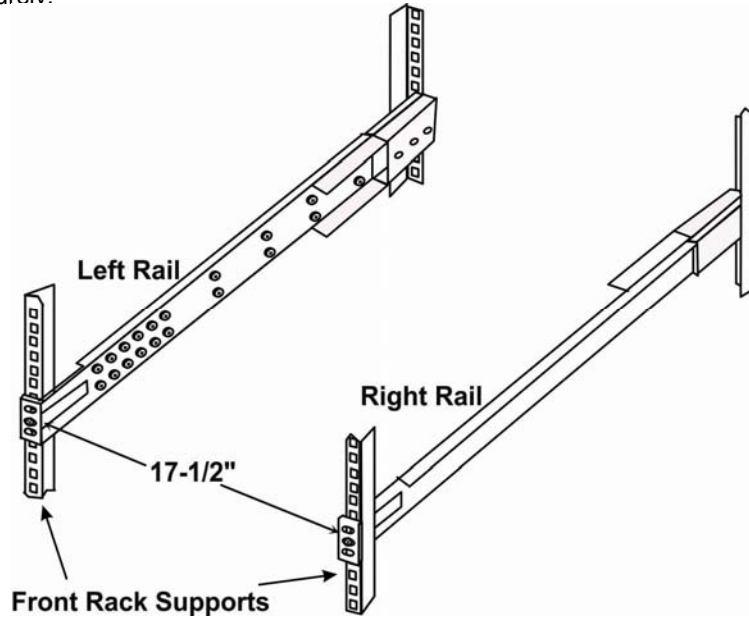
4. Install the rail assemblies. The ends of each rail assembly with the label "FRONT" mount to the front rack support on the left and right. Install the screws through the rail flange to the rack support and cage nut using the #10-32 x 3/4" pan head machine screws provided. (See image below.) Do not tighten at this time.

5. Install two #10-32 x 3/4" pan-head screws in the rear of each rail assembly as shown below. Do not tighten at this time.

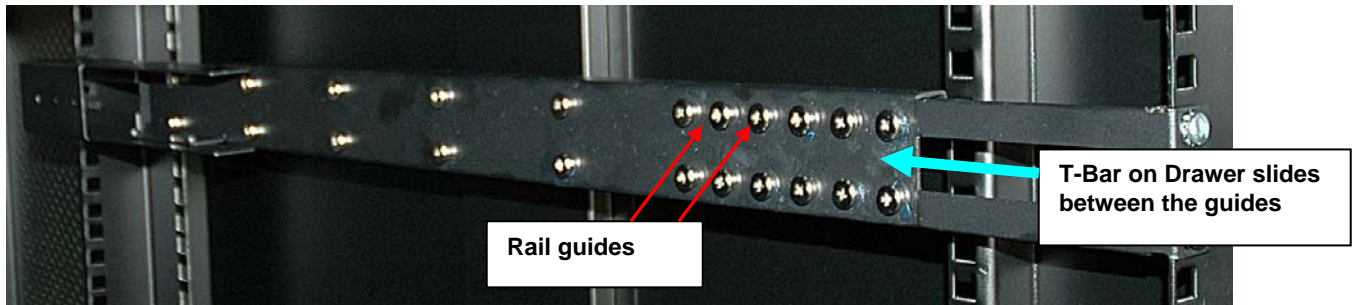


NTI RACKMUX DRAWER INSTALLATION

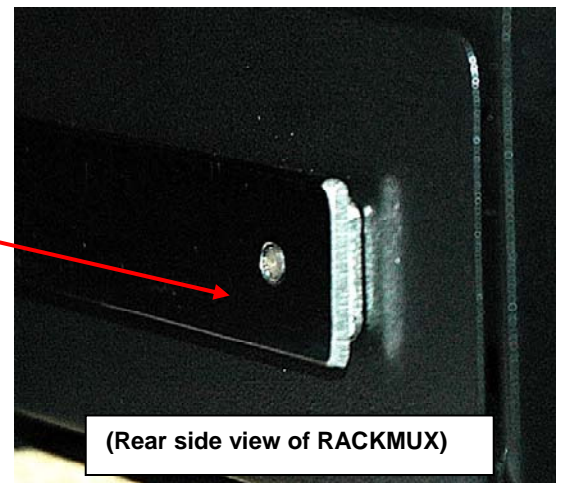
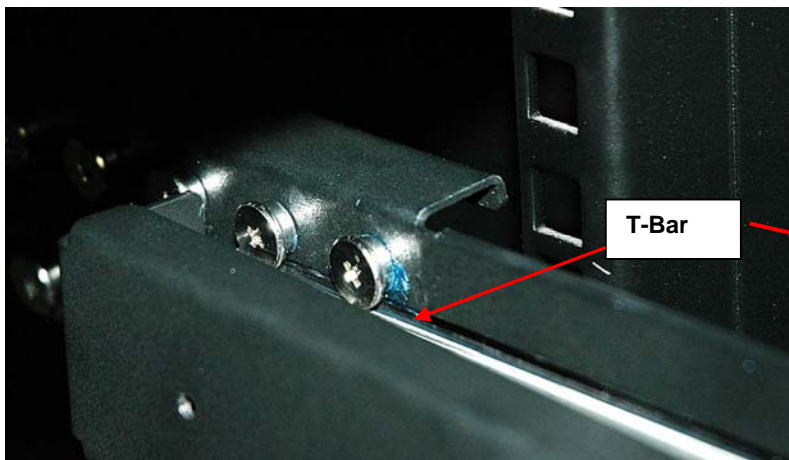
6. Measure the distance between the inside of the rails at the front of the rack. Adjust the distance to 17-1/2" and tighten the pan-head screws to the rail flanges securely.



7. Lineup the T-bar on the RACKMUX drawer with the rail guides in the left and right rails and slide the drawer into the rack. The rail guides should be positioned above and below the T-bar on the RACKMUX. Slide the drawer in completely.



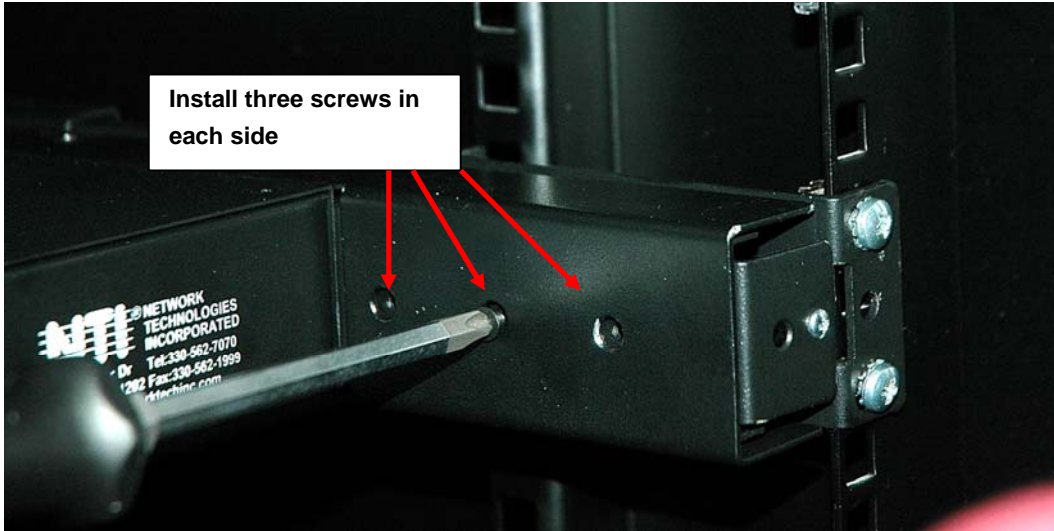
Rail View just before sliding drawer in place



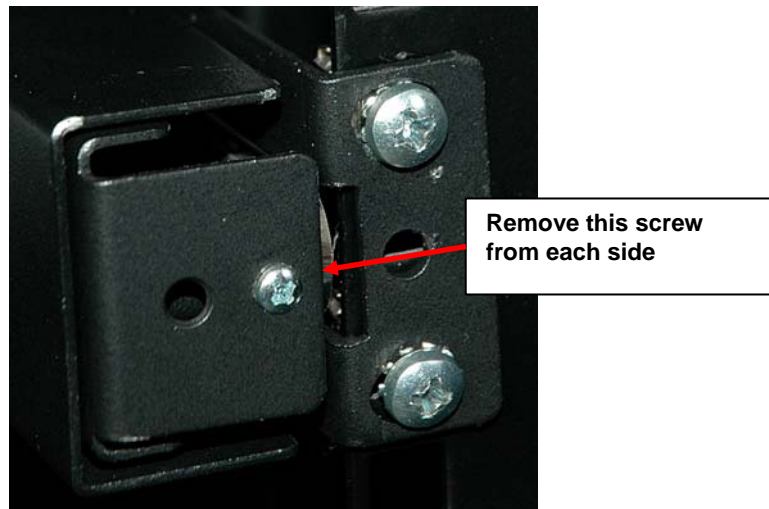
T-Bar engaging the rail guides

NTI RACKMUX DRAWER INSTALLATION

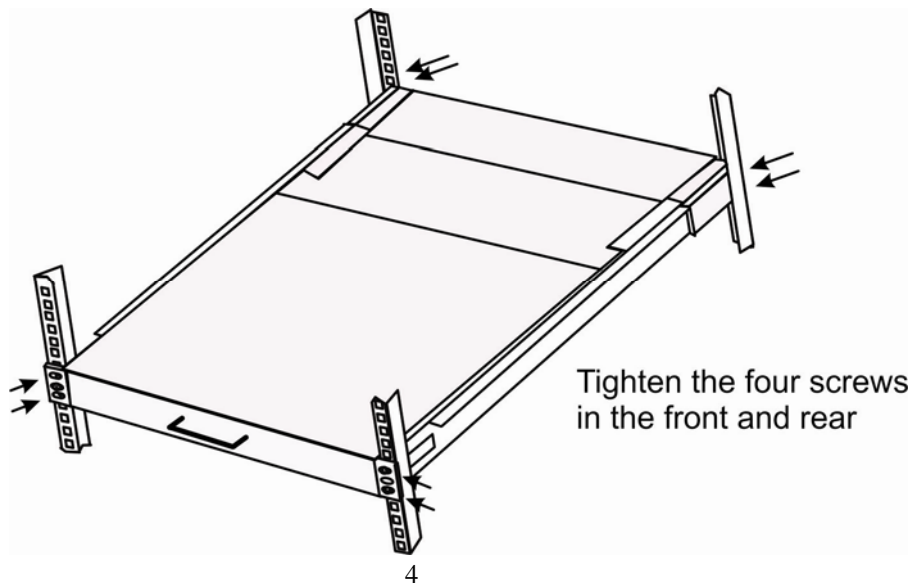
8. Locate the three screw holes at the rear of each rail. These three holes should be lined up with three holes in the drawer. Install three #6-32 x 3/16" flathead screws into each side.



9. Remove the Phillips screw from the end of each rail assembly.



10. Tighten securely the four screws applied to the front rail flanges and to the rear rail flanges.



NTI RACKMUX DRAWER INSTALLATION

11. Make your cable connections according to your RACKMUX Drawer instructions.

Your NTI RACKMUX Drawer is now installed and ready for use.

TRADEMARK

RACKMUX is a registered trademark of Network Technologies Inc in the U.S. and other countries.

COPYRIGHT

Copyright © 2010 by Network Technologies Inc. All rights reserved. No part of this publication may be reproduced, stored in a retrieval system, or transmitted, in any form or by any means, electronic, mechanical, photocopying, recording, or otherwise, without the prior written consent of Network Technologies Inc, 1275 Danner Drive, Aurora, Ohio 44202.

CHANGES

The material in this guide is for information only and is subject to change without notice. Network Technologies Inc reserves the right to make changes in the product design without reservation and without notification to its users.

WARRANTY INFORMATION

The warranty period on this product (parts and labor) is two (2) years from the date of purchase. Please contact Network Technologies Inc at **(800) 742-8324** (800-RGB-TECH) or **(330) 562-7070** or visit our website at <http://www.networktechinc.com> for information regarding repairs and/or returns. A return authorization number is required for all repairs/returns.

MAN127 Rev. 12/13/10