



ENVIROMUX-STSP-7 Pipe Sensor Installation Manual

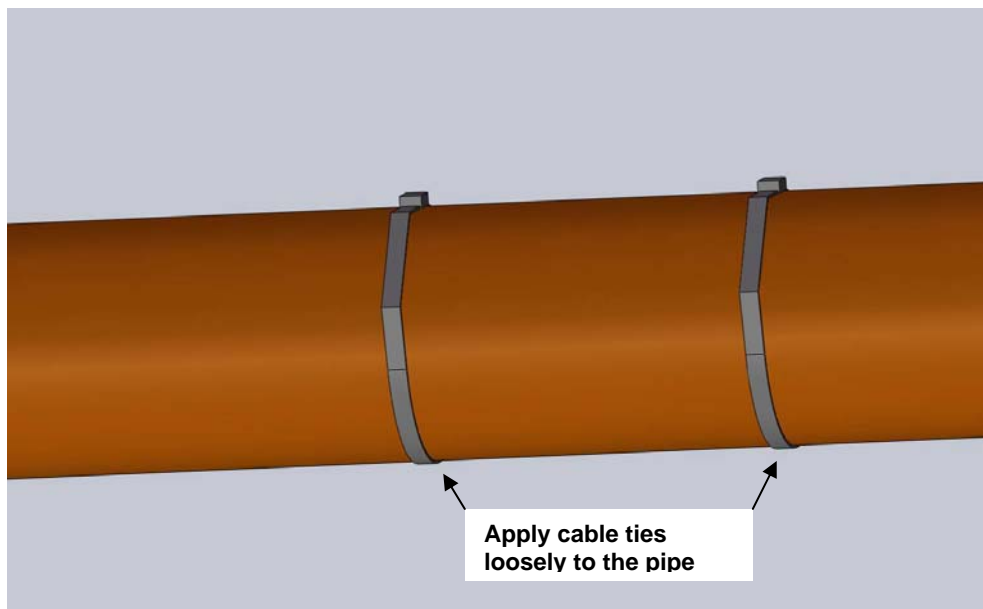
The ENVIROMUX-STSP-7 is an outdoor temperature sensor designed to work in combination with an NTI ENVIROMUX-2D/5D/16D Enterprise Environment Monitoring Switch to measure the surface temperature when mounted on a thin-walled steel, copper, or aluminum pipe. The ENVIROMUX-STSP-7 is a water-tight temperature sensor designed for self-centering and easy to install.

Features include:

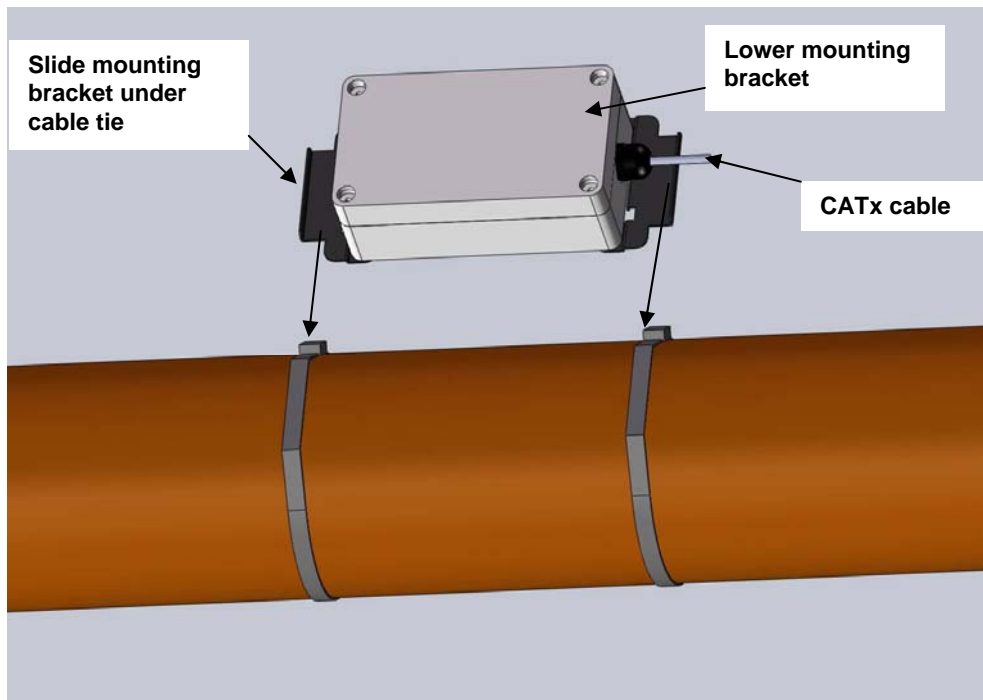
- Mount to the outside of a thin walled steel, copper, or aluminum pipe (up to 1/4" wall).
- Copper contact transmits surface temperature to thermal sensor.
- Weatherproof enclosure designed to IP65 specifications.
- Applications from -40°F to 185°F (-40°C to 85°C).
- Accurate to within $\pm 1.0^{\circ}\text{F}$ ($\pm 0.5^{\circ}\text{C}$).
- Response time: <1 minute for temperature changes of $\pm 2^{\circ}\text{F}$.
- High resistance to external influences on the cable due to digital output signal.
- Re-calibration is not necessary after initial set-up.
- MTBF: 1,942,123 hrs.
- Self centering mounting bracket available for 1-3" diameter pipe, and 3-6.5" diameter pipe (included).
 - Includes adjustable cable ties to secure mounting bracket to pipe.
- Powered by ENVIROMUX-2D/5D/16D
- Regulatory approvals: CE, RoHS.
- Compatible with NTI ENVIROMUX-2D/5D/16D.
- 7 Foot Cable
- Includes an RJ45 coupler to extend the sensor up to 1,000 feet using CATx cable (minimum 24AWG).

Installation

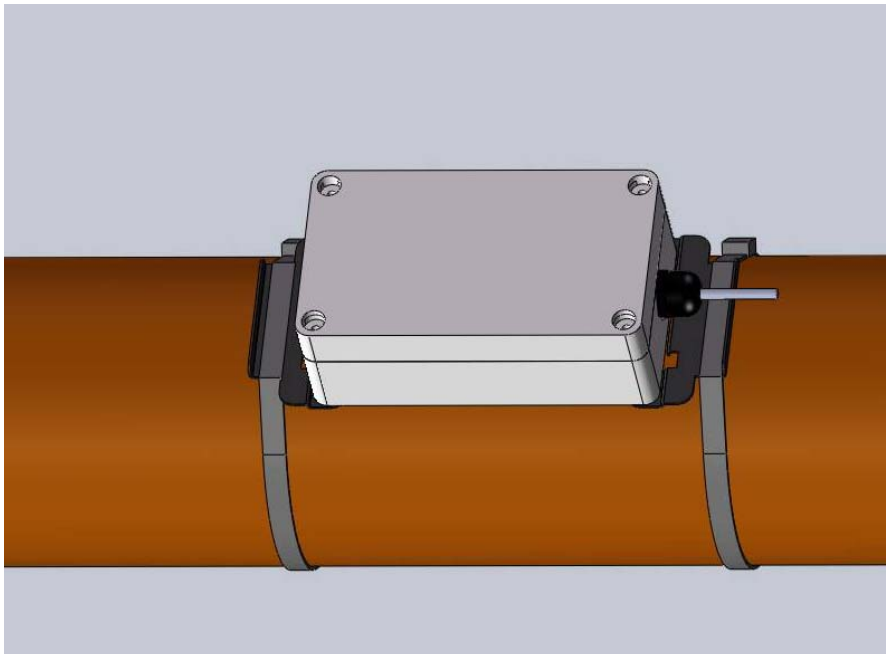
1. Install cable ties around the pipe and leave loose.



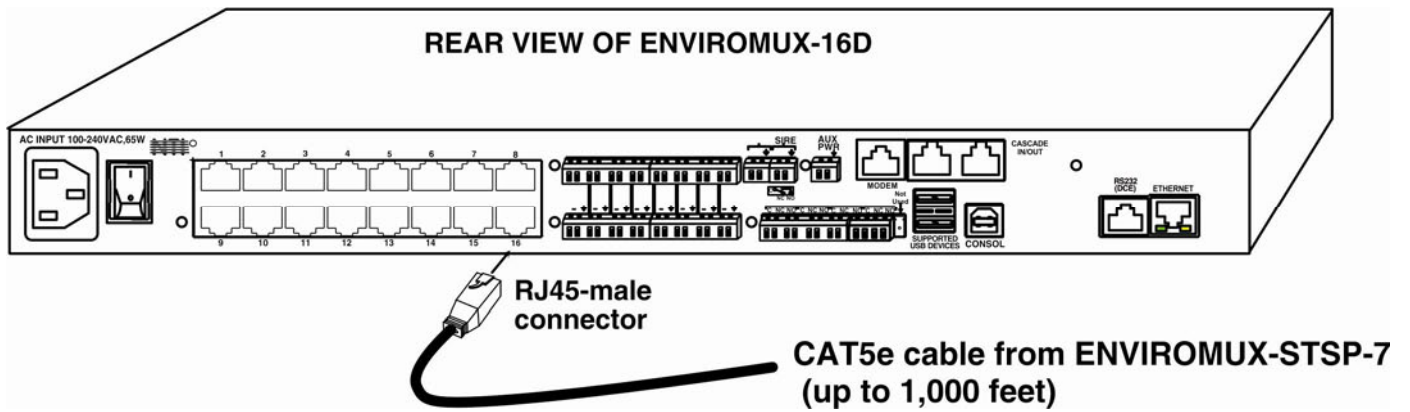
2. Slide the sensor mounting bracket first under one cable tie and tighten so it is snug.
3. Slide the second cable tie onto the second mounting bracket and snug the cable tie.



4. Align the ENVIROMUX-STSP-xx with the pipe, tighten the cable ties and trim.



5. Plug the cable into an available "RJ45-SENSORS" port on a ENVIROMUX-xD.



6. Follow the instructions that came with the ENVIROMUX-xD for configuring and monitoring the temperature readings provided by the ENVIROMUX-STSP-7.

The ENVIROMUX-STPS-7 Sensor unit can be wrapped with insulation if desired after it has been installed and checked for operation.

Warranty Information

The warranty period on this product (parts and labor) is two (2) years from the date of purchase. Please contact Network Technologies Inc at (800) 742-8324 (800-RGB-TECH) or (330) 562-7070 or visit our website at <http://www.networktechinc.com> for information regarding repairs and/or returns. A return authorization number is required for all repairs/returns.