

E-TLD-x

Tape-Style Liquid Detector

(x= 10,25,50,100 Feet)

DESCRIPTION

The E-TLD-x tape style water detector uses a self-adhesive sensor tape with copper fiber electrodes and a durable netted cover for dependable detection of conductive liquids anywhere along the length of tape. The E-TLD-x includes a tape integrity self-check feature, which activates a trouble output if the tape is unplugged, broken, or cut. Alarm relays may be independently jumpered to energize or de-energize upon water or trouble detection.

FEATURES

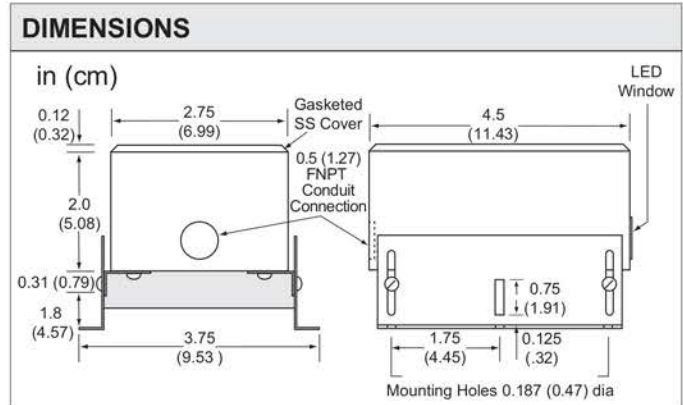
- *Weather resistant enclosure*
- *Designed to minimize external noise pickup*
- *SPDT alarm and trouble relay contacts*
- *Relay action jumper selectable*
- *Continuous tape integrity self-check*
- *Power/Alarm/Trouble status LED (green, red, green/red)*
- *Sensor tape lengths of 10' (3.1m), 25' (7.6m), 50' (15.2m), 100' (30.5m)*
- *Floor or under-pipe mounting*
- *Able to convert to two alarm relays*

OPERATION

The E-TLD-x can be used with any contact-closure monitoring device, wiring to either the normally open or normally closed contacts for flexibility.



E-TLD-x



SPECIFICATIONS	
Supply Voltage	11 -27 VAC/VDC
Supply Current	
VDC	15mA typical, 60 mA maximum
VAC	35 mA typical, 120 mA maximum
Relay Type	SPDT
Relay Output Rating	1A @ 24 VAC/VDC, 1/2A @ 120 VAC
Operating Temperature	Detector: 32° to 158°F (0° to 70°C) Tape: 32° to 180F (0° to 82°C)
Sensor Electrodes	3 mil copper fiber, 1/4" gap
Enclosure	Cast aluminum, weather resistant
Dimensions	4.23"H x 3.75"W x 4.5"D (10.7 x 9.5 x 11.4 cm)
Weight	
E-TLD	0.98 lb (6.44 kg) (without tape)
E-TLD-10	1.8 lb (0.8 kg)
E-TLD-25	2.2 lb (1.0 kg)
E-TLD-50	3.0 lb (1.4 kg)
E-TLD-100	4.6 lb (2.1 kg)
Warranty	24 Months

INSTALLATION
Floor Mounting
Mount the E-TLD box adjacent to the area to be protected. Unroll the sensor tape, remove vinyl release layer from the back, and hand press onto a surface that is dry and free of all debris and dust.
Note 1: Once the sensor is activated (wet), the contacts will remain in alarm until the netted cover is completely dry.
Note 2: To convert the tape integrity check relay to a second alarm relay, remove the jumper in the lower right corner of the circuit board. If the sensing tape is not used, install the jumper labeled "NO TBL CHK."

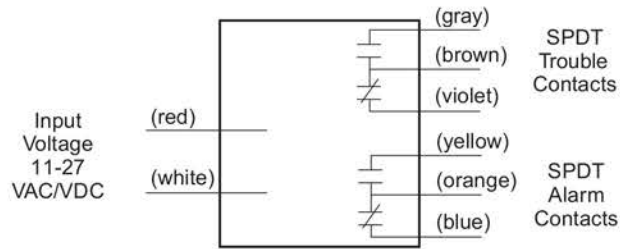
E-TLD-X

Tape-Style Liquid Detector

(x= 10,25,50,100 Feet)

WIRING

The E-TLD-x is provided with a 1/2" FNPT conduit connection in the end of the enclosure. Terminations are made using the color-coded wires with field-supplied connectors. All interconnect wiring should be 18 AWG or larger.



The E-TLD-x tape includes a supervisory resistor mounted on the far end for the tape integrity self-check. A self-check disable jumper is provided inside for use with older or cut-down tapes that do not have the supervisory resistor.

STATUS INDICATOR

- Green blink Normal
- Red blink Water detected
- Red/green alternating Tape sensor problem

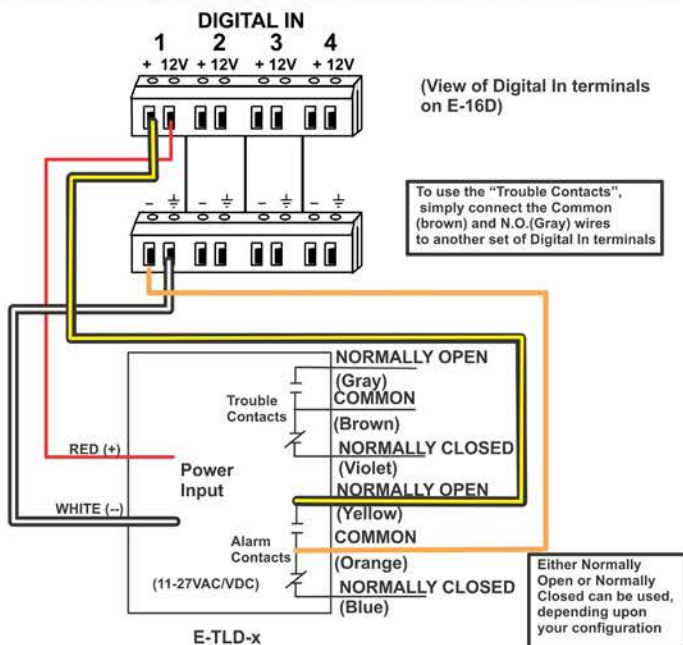
JUMPER POSITIONS

- NO TBL CHK Install jumper to disable tape trouble check
- OPT Remove jumper to convert trouble contacts to second set of alarm contacts
- ALM (position D) De-energize relay on alarm (position E) Energize relay on alarm
- TBL (position D) De-energize relay on trouble (position E) Energize relay on trouble

ORDERING INFORMATION

MODEL	DESCRIPTION	PRICE EACH
E-TLD-10	Water Detector with 10' (3.1m) sensor tape	\$373
E-TLD-25	Water Detector with 25' (7.6m) sensor tape	\$544
E-TLD-50	Water Detector with 50' (15.2m) sensor tape	\$828
E-TLD-100	Water Detector with 100' (30.5m) sensor tape	\$1320

Schematic for wiring Tape Style Liquid Detector to DIGITAL IN Terminals



(View of Digital In terminals on E-2D)

