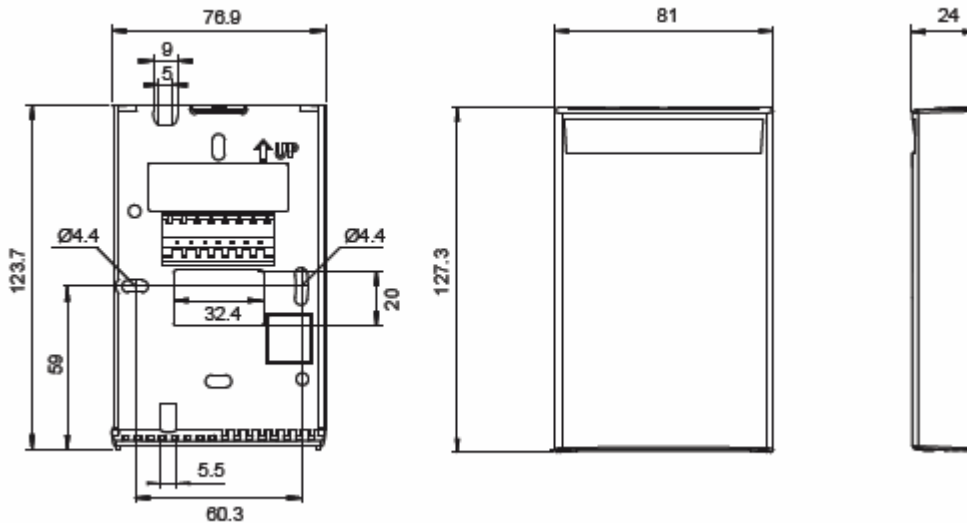
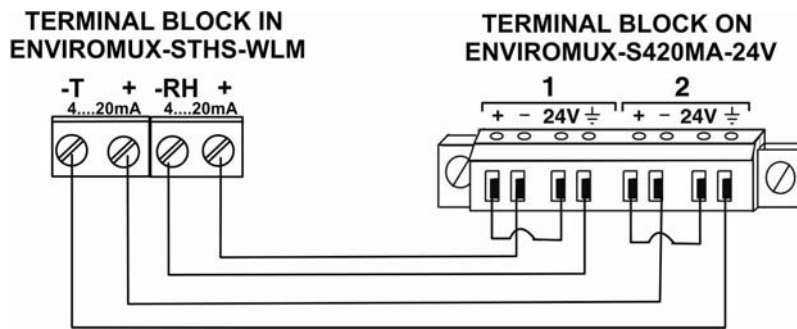


## ENVIROMUX-STHS-WLM Wiring Instruction



The ENVIROMUX-STHS-WLM is a precision temperature and humidity sensors that requires the ENVIROMUX-S420MA-24V to operate when used in conjunction with an ENVIROMUX-SEMS-16(U), ENVIROMUX-16D, ENVIROMUX-5D or ENVIROMUX-2D Enterprise Environment Monitoring System (SYSTEM). Use the images below to make proper connections for installation using 16-26 AWG wire.



Dimensions are in millimeters.

For more information on using the ENVIROMUX-S420MA-24V or configuring the sensor within the SYSTEM, refer to the respective product manuals. For use and operation of the precision temperature and humidity sensor, see the manual provided by the manufacturer.

## SPECIFICATIONS

POWER	OPERATING TEMPERATURE RANGE	HUMIDITY RANGE	ACCURACY
24VDC supplied by ENVIROMUX-S420MA-24V	23 to 131°F (-5 to 55°C)	10 to 90% RH	±0.54°F (±0.3°C). and ±3% RH@68°F (20°C)

## TRADEMARK

ENVIROMUX is a registered trademark of Network Technologies Inc in the U.S. and other countries.

## COPYRIGHT

Copyright © 2008,2016 by Network Technologies Inc. All rights reserved. No part of this publication may be reproduced, stored in a retrieval system, or transmitted, in any form or by any means, electronic, mechanical, photocopying, recording, or otherwise, without the prior written consent of Network Technologies Inc, 1275 Danner Drive, Aurora, Ohio 44202.

## CHANGES

The material in this guide is for information only and is subject to change without notice. Network Technologies Inc reserves the right to make changes in the product design without reservation and without notification to its users.

## WARRANTY INFORMATION

The warranty period on this product (parts and labor) is two (2) years from the date of purchase. Please contact Network Technologies Inc at **(800) 742-8324** (800-RGB-TECH) or **(330) 562-7070** or visit our website at <http://www.networktechinc.com> for information regarding repairs and/or returns. A return authorization number is required for all repairs/returns.

MAN191 Rev. 4/20/16