



ENVIROMUX-WSS

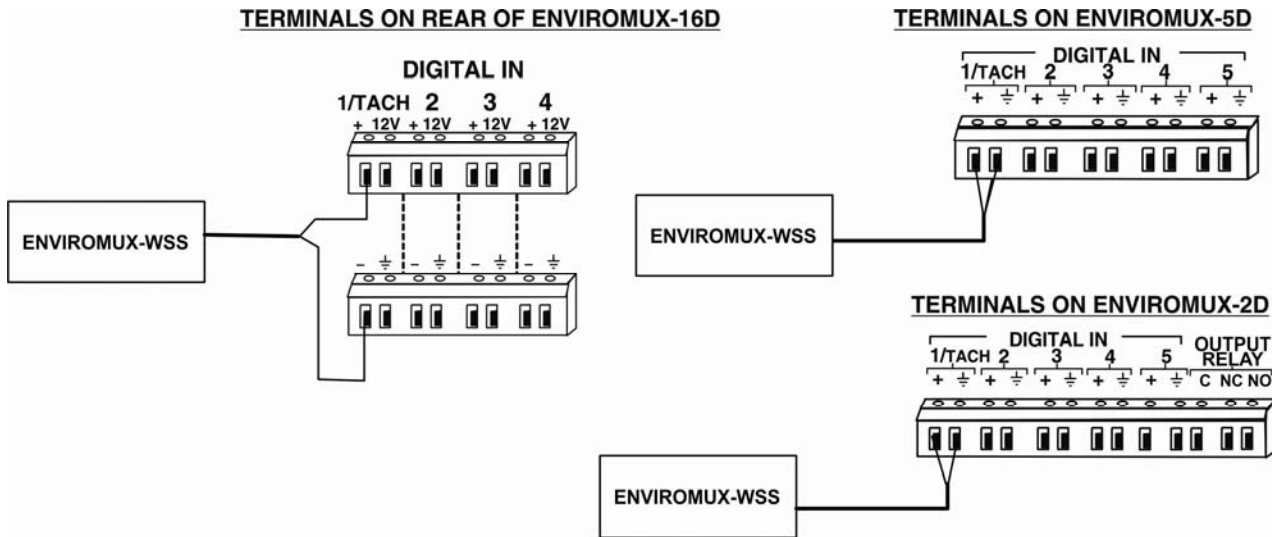
ENVIROMUX-WSS WIND SPEED SENSOR WIRING INSTRUCTION

The ENVIROMUX-WSS Wind Speed Sensor is compatible with the ENVIROMUX-16D, ENVIROMUX-5D, and ENVIROMUX-2D Enterprise Environment Monitoring Systems.

Features Include:

- Rugged anemometer
- 3-cup rotor pressed on a stainless steel shaft
- Reed switch and magnet providing one pulse per rotation
- Rotor diameter: 5 inches
- Speed range: ~ 3 mph to 125+ mph (~5 kph to over 200 kph)
- Rugged Delrin body with bronze and Rulon bushings
- Flat aluminum mounting bracket with 2 holes. Designed to be mounted on top of a pole or bracket.
- 100 feet of exterior grade wire

Wiring to the ENVIROMUX systems is illustrated below:



To install and configure the ENVIROMUX-WSS to the ENVIROMUX System, go to the Sensors summary page and select "Add Tach Sensor on Digital input 1".

Sensors

Internal Sensors					
No.	Description	Type	Value	Status	Action
1	Internal Temperature	Temperature	27.3°C	Normal	View Edit
2	Internal Humidity	Humidity	41%	Normal	View Edit
3	Battery	Voltage	13.4V	Normal	View Edit
Sensors					
Conn.	Description	Type	Value	Status	Action
1	Temperature_1	Temperature Combo	84.0°F	Normal	View Edit Delete
1	Humidity_1	Humidity Combo	37%	Normal	View Edit Delete
1	Dew Point Sensor_1	Dew Point	54.7°F	Normal	View Edit Delete
2	Light Sensor_2	Light	51.7lx	Normal	View Edit Delete
3	Temperature_3	Temperature	81.8°F	Normal	View Edit Delete
4	Humidity_4	Humidity	36%	Normal	View Edit Delete
5	Temperature_5	Temperature Combo	28.2°C	Normal	View Edit Delete
5	Humidity_5	Humidity Combo	38%	Normal	View Edit Delete
6	Sensor #6.1	ACLM-V AC Voltage	120.0V	Normal	View Edit Delete
6	Sensor #6.2	ACLM-V AC Voltage	120.0V	Normal	View Edit Delete
8	Water Detection Sensor_8	Water	Open	Normal	View Edit Delete
16	Motion Detector_16	Motion Detector	Closed	Normal	View Edit Delete
	Wind Speed on E-160	Wind Speed	0.0MPH	Acknowledged	View Edit Delete

[Add New Sensor](#)
 → [Add Tach Sensor on Digital input 1](#)

Windspeed on E-16D(Dig.In.1) Configuration (Type: Tach Sensor)

<input type="checkbox"/> Sensor Settings	
Description	Windspeed on E-16D(Dig.I Descriptive name for the sensor
Group	1 Select which group the sensor belongs to
Min. Level	0.0 Min. supported value for the sensor
Max. Level	255.0 Max. supported value for the sensor
Associate Sensor	<input checked="" type="checkbox"/> Associate sensor to a customized sensor type
Associated Sensor Type	Wind Speed Type of the associated sensor
Associated Sensor Unit	MPH Measurement unit for the associated sensor
SNMP Associated Type ID	32767 ID value for SNMP type of associated sensor
Min. Associated Level	0.00 Sensor expected value corresponding to 0 Hz
Max. Associated Level	637.5 Sensor expected value corresponding to 255 Hz
Min. Non-Critical Threshold	0.0 Min. threshold below which indicates a non-critical alert condition
Max. Non-Critical Threshold	40.0 Max. threshold above which indicates a non-critical alert condition
Min. Critical Threshold	0.0 Min. threshold below which indicates an alert condition
Max. Critical Threshold	80.0 Max. threshold above which indicates an alert condition
Refresh Rate	10 Sec The refresh rate at which the sensor view is updated
<input type="checkbox"/> Non-Critical Alert Settings	
<input type="checkbox"/> Critical Alert Settings	
<input type="checkbox"/> Data Logging	
<input type="button" value="Save"/>	
Alert Simulation	
<input type="button" value="Simulate Alert"/> <input type="button" value="Clear Alert"/>	

Configuration Example for ENVIROMUX-WSS Wind Speed Sensor

Specifications

SENSOR TYPE	3-Cup rotor, Reed switch/magnet provide 1 pulse per rotation.
OUTPUT for D2 Rotor (Shown in photo)	1 pulse per rotation 2.5 mph (4 km/h) per Hz
ROTOR DIAMETER	approx. 5 in (~125 mm)
SPEED RANGE	approx. 3 mph to 125+ mph (~5 km/h to over 200 km/h)
MOUNTING BRACKET	Supplied with an aluminum mounting bracket with 2 holes for screws. Designed to be mounted on top of a pole or bracket.
WIRE	Standard length is 100 feet (30m) custom lengths available upon request - tested OK to over 1,500 feet The wire is provided stripped and un-terminated
DISPLAY	None provided with the sensor only Formula for converting pulses to speed: 2.5 mph per Hz (2.5 mph per pulse/second)
POWER	No power required