



# SP-CAT5-6V

## CATx Surge Protector

### Features

- Protects sensors running on CATx unshielded twisted pair (UTP) cable against the effects of electrostatic discharge, faulty wiring and lightning.
- The use of two protectors on each end of the line will provide increased protection for each end against surges.
- Protected pins: (1,2) (3,6) (4,7) and (7,8) pass through.
- Impedance: 85 to 115 Ohms
- Surge suppression: 22Vpeak @ 100A 10/1000µs
- Maximum continuous voltage: 6Vpeak
- Dimensions WxDxH: .960x3.72x0.910 in (24x94.5x23 mm)
- Regulatory approvals: GR 1089, NEC 800.100 and 830.100, ITU 703, UL94 V0 Flame Rated.

### Installation

This product is intended for use only as a secondary protector on data circuits. Mount the module(s) as close to the equipment being protected as possible.

#### Mounting the SP-CAT5-6V:

**DIN Rail Mounting:** Attach the mounting clip on the module to a piece of 35mm DIN rail. To remove the module, lift up on the lever portion of the mounting clip.

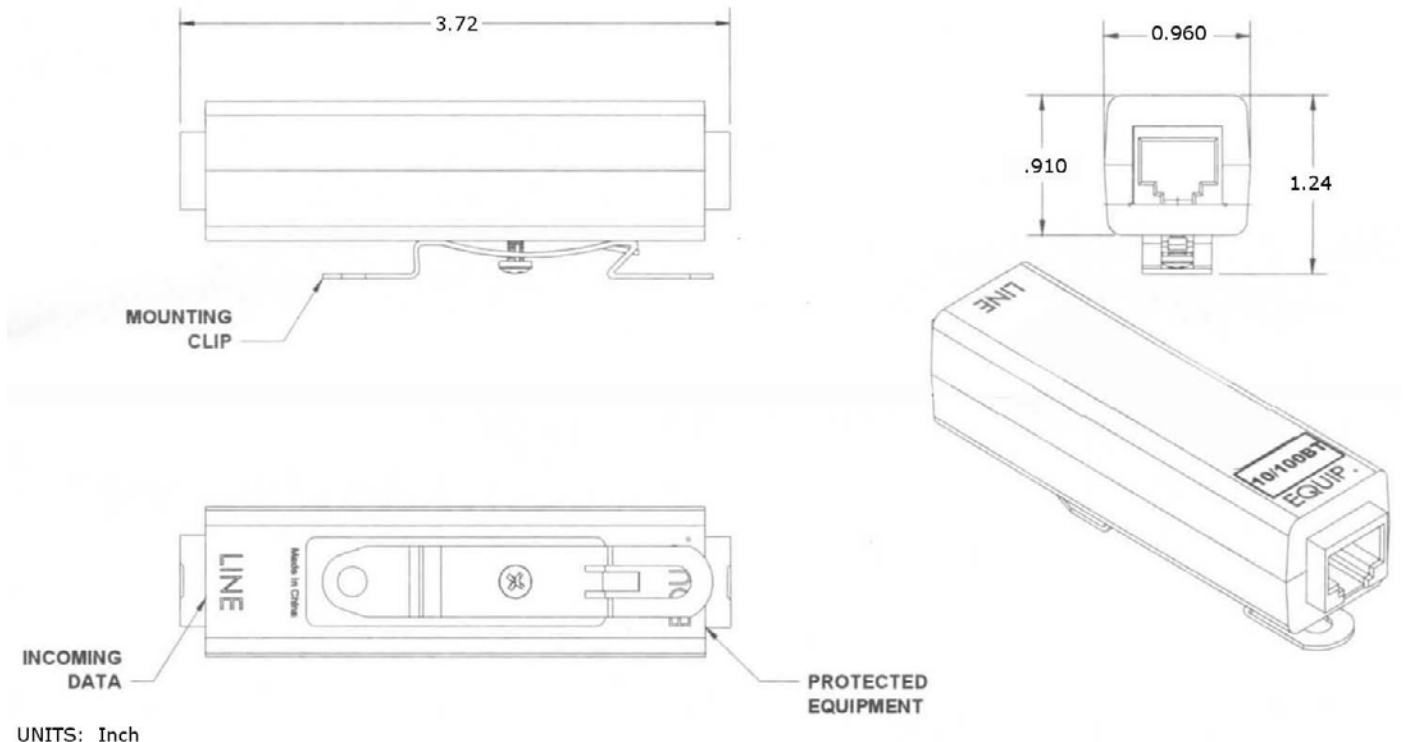
**Wall Mounting:** Rotate the mounting clip on the module to expose the auxiliary mounting hole. Attach the module to the desired surface using the auxiliary mounting hole and a #8 screw (not provided).

#### Wiring:

1. Connect the mounting clip of each mounted module to a nearby grounded location using the shortest wire length possible.

**The SP-CAT5-6V module must be grounded for proper operation!**

2. Connect the incoming data line to the connector labeled "LINE".
3. Connect the outgoing data line to the connector labeled "EQUIP".



Performance		Environmental	
Protocol	GbE	Humidity	99% non-condensing
Data Rate	10/100/1000 Mb/s	Operating/Storage Temperature	-40° C to +75° C
Pins Protected	(1,2) (3,6) (4,5) and (7,8)	Enclosure Rating	UL 94V-0
Nominal Voltage	3.3 Vpeak		
Maximum Continuous Operating Voltage	6 Vpeak		
Surge Suppression	<22 Vpeak @ 100A 10/1000µs		

Mechanical	
Input/Output Connector	RJ-45
Module Dimensions W x D x H	.960" x 3.72" x .910" (24mm x 94.5mm x 23mm)
Module Weight (Max)	1.5 lbs (0.7 kg)

## Warranty Information

The warranty period on this product (parts and labor) is two (2) years from the date of purchase. Please contact Network Technologies Inc at **(800) 742-8324** (800-RGB-TECH) or **(330) 562-7070** or visit our website at <http://www.networktechinc.com> for information regarding repairs and/or returns. A return authorization number is required for all repairs/returns.

### COPYRIGHT

Copyright © 2013 by Network Technologies Inc. All rights reserved. No part of this publication may be reproduced, stored in a retrieval system, or transmitted, in any form or by any means, electronic, mechanical, photocopying, recording, or otherwise, without the prior written consent of Network Technologies Inc, 1275 Danner Drive, Aurora, Ohio 44202.

### CHANGES

The material in this guide is for information only and is subject to change without notice. Network Technologies Inc reserves the right to make changes in the product design without reservation and without notification to its users.