

ENVIROMUX-SDS-TAA

SMOKE DETECTION SENSOR

Installation Instruction



The ENVIROMUX-SDS-TAA is a smoke detection sensor intended for connection to an NTI ENVIROMUX-16D/5D/2D (ENVIROMUX) for use in detecting smoke in a server cabinet environment. When properly connected, the ENVIROMUX-SDS-TAA will provide signals to the ENVIROMUX that with proper configuration will result in alert messages being sent to the administrator of the ENVIROMUX.

Features Include:

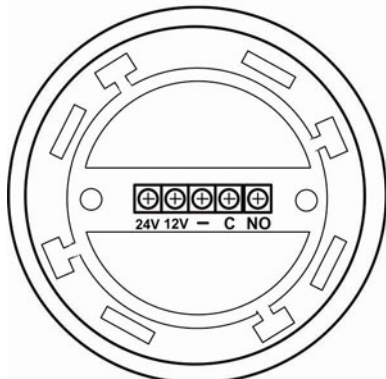
- For warning of smoke.
- Photoelectric smoke detector.
- Built-in 135° F (57° C) thermal heat sensor.
- Includes mounting hardware.
- Connect to RJ45 or digital input sensor ports.
- Supports CAT5/5e/6 UTP or STP cables.
- Voltage Supply: 8-35VDC
- Current Consumption: 200uA
- Alarm Output: Relay (NO)
- Screw terminal
 - To connect to the RJ45 inputs use CAT5/5e/6 cable terminated at one end with RJ45 connector. Connect the un-terminated end to the sensor screw terminal.
- Maximum cable length: 1,000 ft (305 m)
- Powered by ENVIROMUX-2D/5D/16D.
- Regulatory approvals: UL
- TAA compliant

Note: The ENVIROMUX-SDS-TAA is NOT intended to be used as a primary fire and smoke detection device.

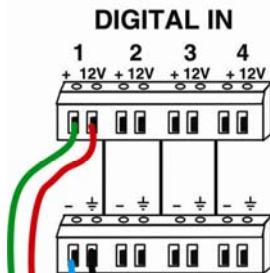
Installation

1. Connect two 18-22 AWG wires (not supplied) from any set of "Digital In" terminals (see below and on next page) on the ENVIROMUX.
2. Connect the other end of those two wires to the switch terminals "C" and "N/O" on the smoke detection sensor.
3. Connect two more 18-22 AWG wires between the "12V" and "⊕" (ground) terminals on the ENVIROMUX and the "12VDC" and "—" terminals on the smoke detector. Leave the "24VDC" terminal **unused**.
4. Be sure to tighten terminal screws to secure each conductor to the terminal block.
5. Mount the ENVIROMUX-SDS-TAA where smoke detection is desired.

Rear View of ENVIROMUX-SDS-TAA

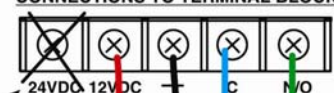


(VIEW OF TERMINALS ON REAR OF ENVIROMUX-16D)

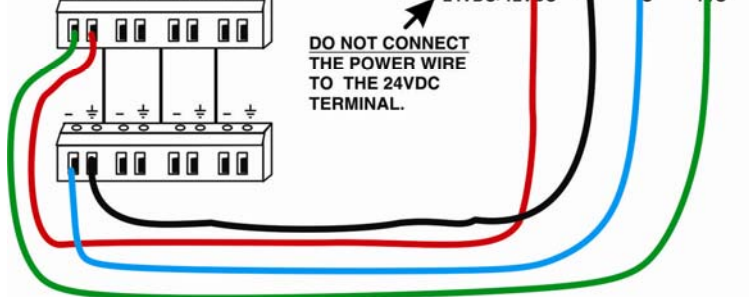


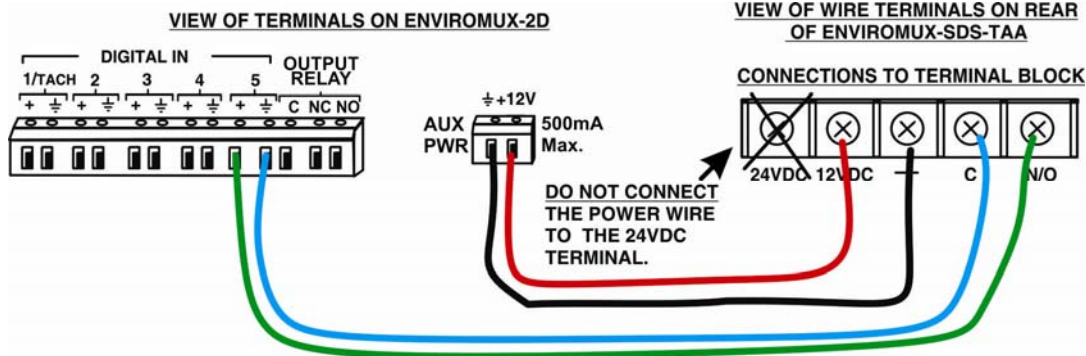
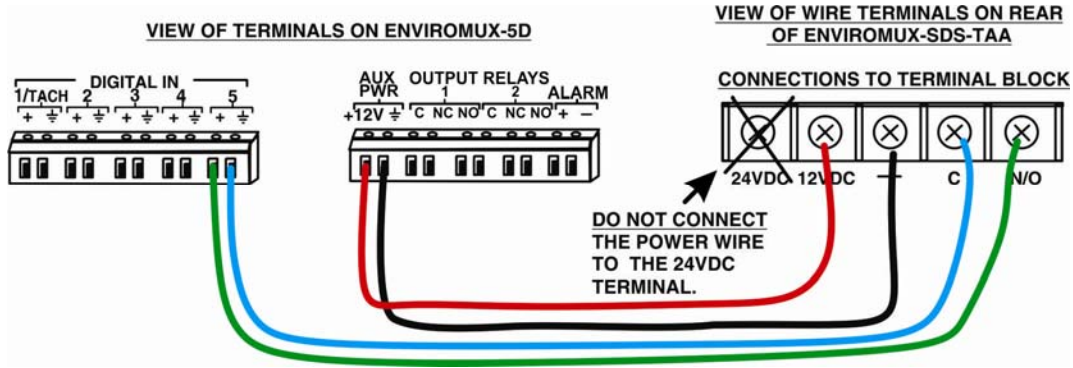
VIEW OF WIRE TERMINALS ON REAR OF ENVIROMUX-SDS-TAA

CONNECTIONS TO TERMINAL BLOCK



DO NOT CONNECT THE POWER WIRE TO THE 24VDC TERMINAL.





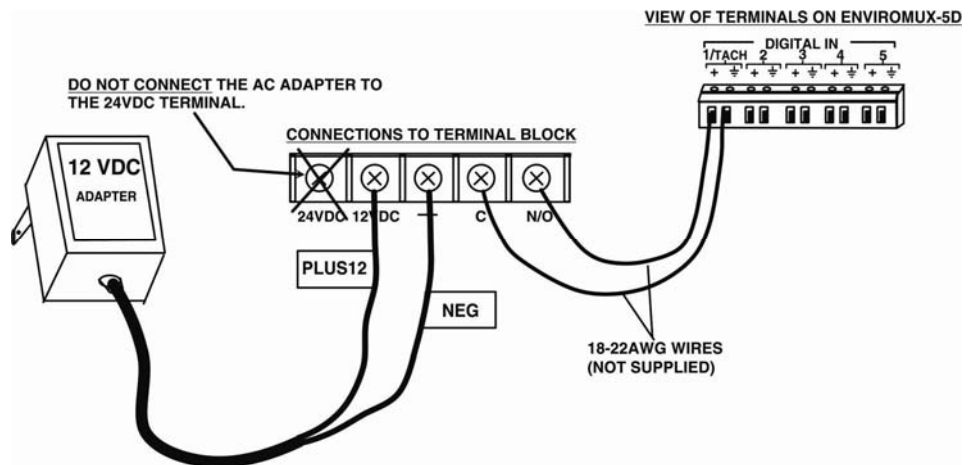
Alternative Power Supply

If the 12V power on the ENVIROMUX is unavailable, connect the 12VDC AC adapter (sold separately) as follows:

1. Connect the wire labeled "PLUS 12" to the terminal marked "12VDC" on the smoke detection sensor.

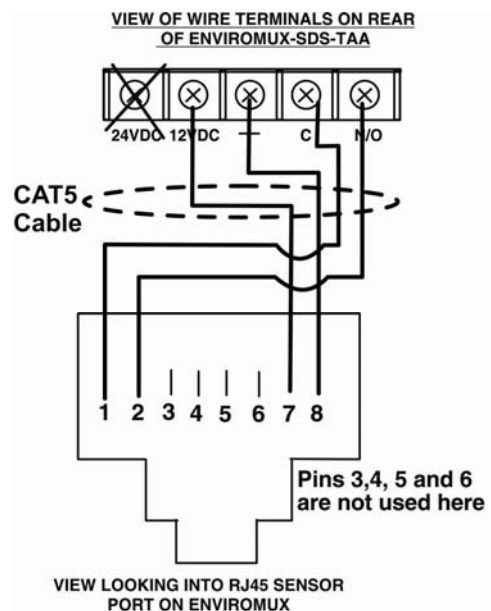
Note: DO NOT connect the 12VDC adapter to the terminal labeled "24VDC".

2. Connect the wire labeled "NEG" to the terminal labeled "-" (negative) on the smoke detection sensor.



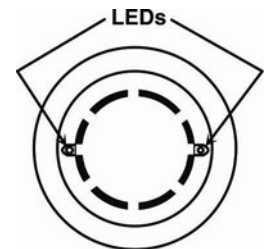
Alternative Sensor Connection

If a connection to an available "RJ45 Sensor" input is desired, CAT5/5e/6 patch cable can be used by cutting off one end and terminating to the sensor as illustrated to the right.



Operation

1. When powered ON, the LEDs on the ENVIROMUX-SDS-TAA will flash green (approximately once per second) to indicate the sensor is functioning and in status-ready condition. The LEDs will illuminate solid red when smoke is detected.
2. Configure the ENVIROMUX to report signals from the connected sensor as smoke detection sensor alerts. (Refer to ENVIROMUX manual for details on configuration- see also example below.) When smoke is detected, the switch terminals on the ENVIROMUX-SDS-TAA will close to generate an alert message from the ENVIROMUX.



Top View of
ENVIROMUX-SDS-TAA

For maintenance and testing instruction, see the instructions that are included from the sensor manufacturer with this kit.

New Sensor Configuration

Digital Input Settings

Description	<input type="text" value="Smoke Detector"/>
Descriptive name for the digital input	
Group	<input type="text" value="1"/>
Select which group the digital input belongs to	
Normal Status	<input type="text" value="Open"/>
Select the normal status for the digital input	
Refresh Rate	<input type="text" value="20"/> <input type="text" value="Sec"/>
The refresh rate at which the digital input view is updated	

Alert Settings

Data Logging

Alert Simulation

Example of sensor configuration in ENVIROMUX

In the event the smoke detector should be placed in alarm condition, it must be power-cycled in order to reset it. To quickly cycle the power when connected to a Digital Input of an ENVIROMUX-16D, go to the sensor status page in the ENVIROMUX WEB interface, and click on the "Cycle Sensor Power" button. The 12VDC power will be disrupted to the sensor for 5 seconds and then automatically restored.

Digital Input #2 Status

Type: Digital Input Connector:2

Open

Status: Normal

Handle Alert:

Last alert was at: Never [Clear Records](#)

Cycle Sensor Power
(ENVIROMUX-16D only)



Warranty Information

The warranty period on this product (parts and labor) is two (2) years from the date of purchase. Please contact Network Technologies Inc at **(800) 742-8324** (800-RGB-TECH) or **(330) 562-7070** or visit our website at <http://www.networktechinc.com> for information regarding repairs and/or returns. A return authorization number is required for all repairs/returns.

COPYRIGHT

Copyright © 2007, 2013 by Network Technologies Inc. All rights reserved. No part of this publication may be reproduced, stored in a retrieval system, or transmitted, in any form or by any means, electronic, mechanical, photocopying, recording, or otherwise, without the prior written consent of Network Technologies Inc, 1275 Danner Drive, Aurora, Ohio 44202.

CHANGES

The material in this guide is for information only and is subject to change without notice. Network Technologies Inc reserves the right to make changes in the product design without reservation and without notification to its users.

Note: The ENVIROMUX-SDS-TAA is NOT intended to be used as a primary fire and smoke detection device.