

SPLITMUX-VWC-HDDPI-4HDO

**2x2 1080p Video Wall Processor –
HDMI/DisplayPort Input & HDMI Outputs**



(Front and Rear View)

Table

1. Introduction.....	1
2. Hardware Introduction	1
3. Installation.....	2
4. Daisy-Chain Application	3

1. Introduction

The SPLITMUX-VWC-HDDPI-4HDO FHD DP/HDMI to HDMI 2*2 4K Video Wall Processor is designed to scale the 1920x1080@60Hz or 1920x1200@60Hz input to 3840x2160@60Hz output (for 2x2 configuration). Each monitor in the video wall will be displayed at 1920x1080@60Hz.

2. Hardware Introduction

- Front View



- ✓ Power Supply: DC Jack +5V/4A.
- ✓ Input Port: DP / HDMI.
- ✓ Mini USB: Reserved (not used).

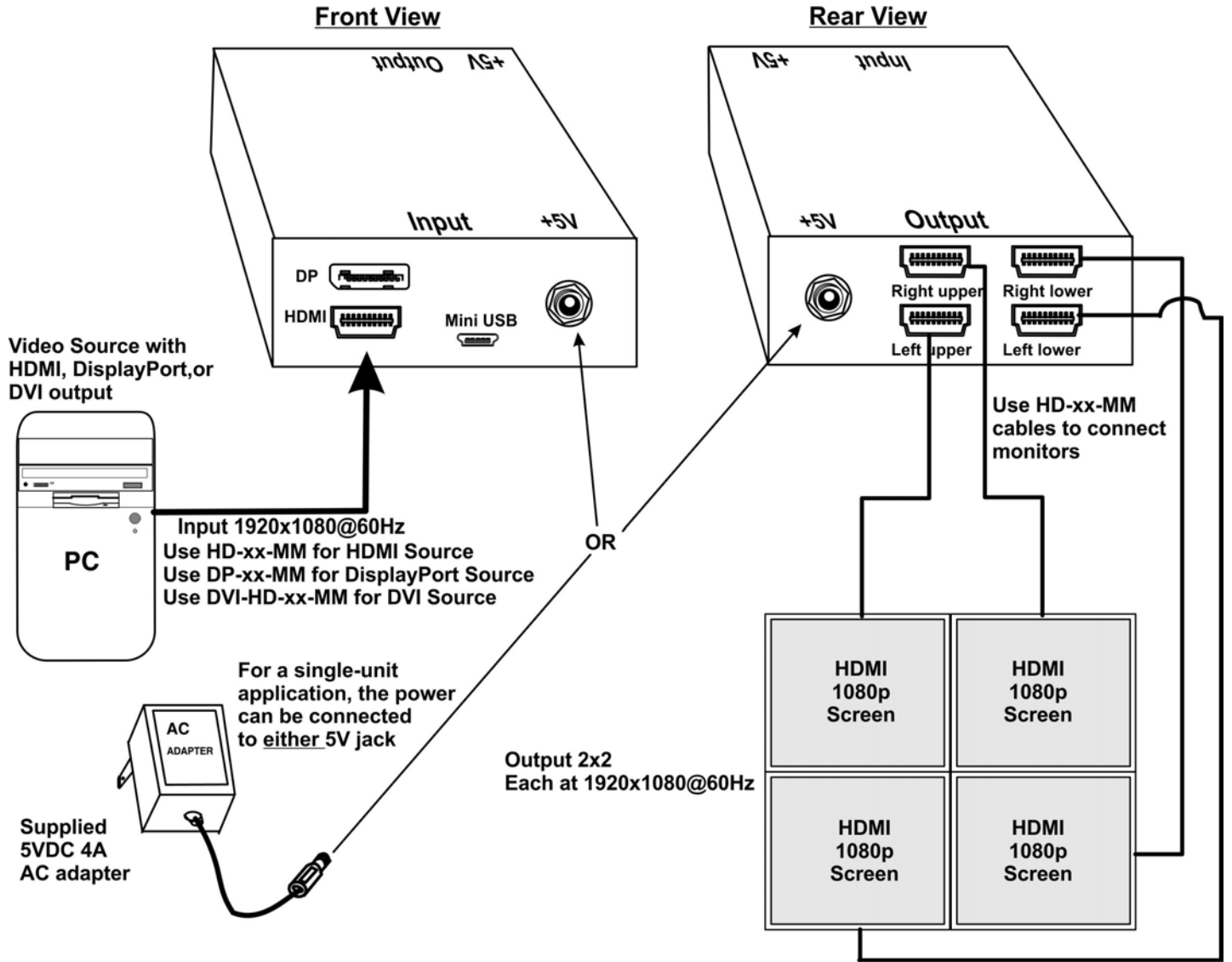
- Rear View



- ✓ Output Port: HDMI 1.4, 2*2.
- ✓ DC Jack: For Daisy-Chain

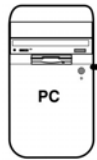
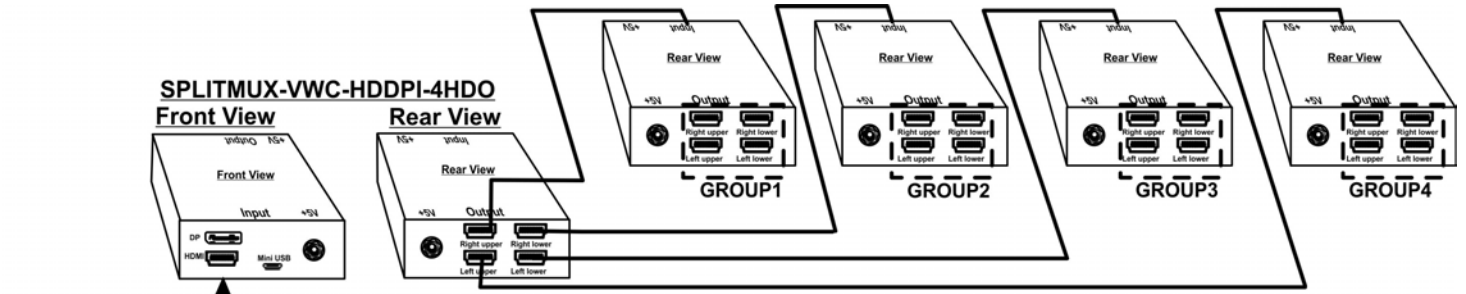
3. Installation

SPLITMUX-VWC-HDDPI-4HDO

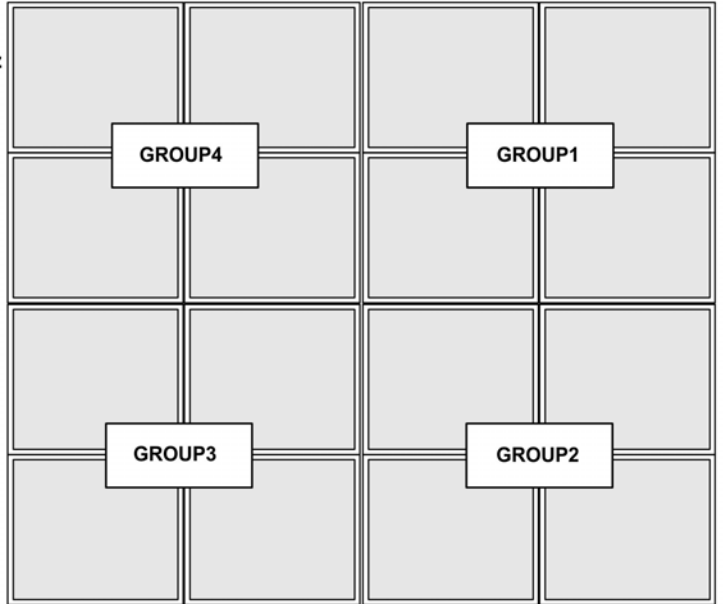


Application with one SPLITMUX-VWC-HDDPI-4HDO split to a 2x2 video wall configuration

4. Daisy-Chain Application



Output 4x4
Each at 1920x1080@60Hz



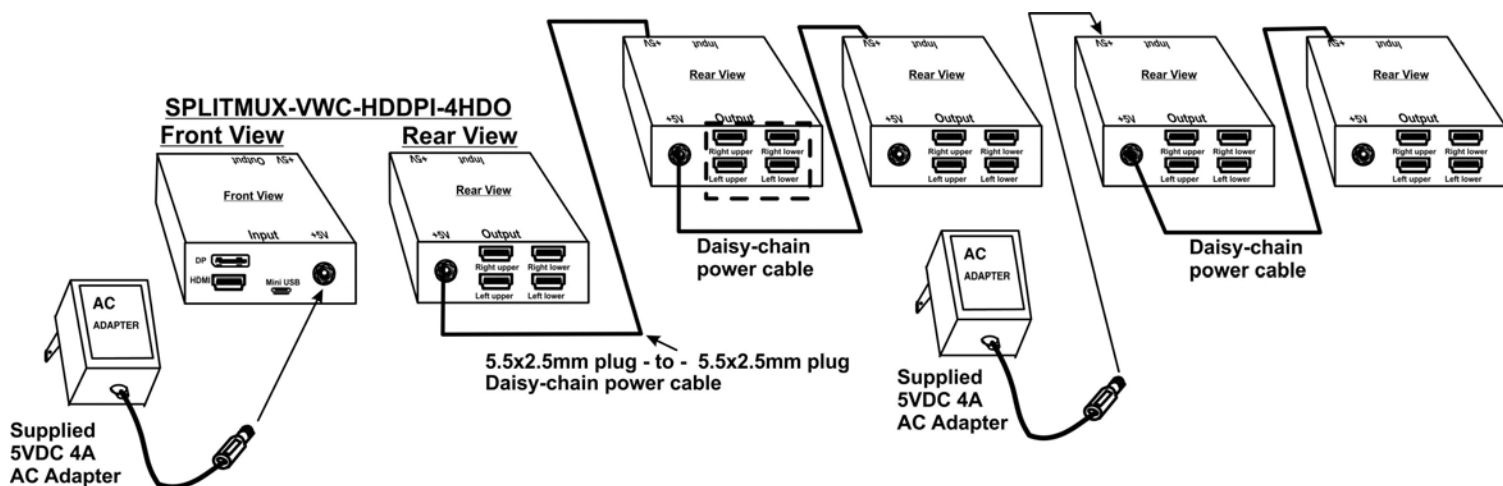
To reduce the number of outlets required, up to three SPLITMUX-VWC-HDDPI-4HDO can be powered by one supplied 5VDC 4A power supply when SPLITMUX's are daisy-chained.

A 2-wire daisy-chain power cable with 5.5x2.5mm plug on each end, wired pin-to-pin, can be used to connect the rear +5V power jack of the first SPLITMUX to the front +5V power jack of the second SPLITMUX.

A second daisy-chain cable can connect the second SPLITMUX to the third SPLITMUX.

Use a second power supply to power the 4th and 5th SPLITMUX's. (See the image below.)

Application View with five SPLITMUX-VWC-HDDPI-4HDO split to a 4x4 video wall configuration



Multiple SPLITMUX-VWC-HDDPI-4HDO with power supply daisy-chained

There is no configuration required. Once connections are made, power all devices ON (in any order) and your video wall will display the video from the source.