

## Switch all PRIMUX VGA KVM Matrix Switches, User Stations, and Server Connections to a Backup Unit

- Quickly switch control of User Stations and Servers to the back-up PRIMUX VGA KVM Matrix Switch via CAT5.
- Dual redundant power for reliability.
- Simply toggle rocker switch to use back-up unit.
- Supports PRIMUX-8X32, PRIMUX-16X64, and all connected PRIMUX-UZR User Stations and Servers.
- Up to 1,000 feet of CATx cable can separate the Host Adapters from the User Stations (including the longest length of cable between the PRIMUX Redundancy Switch and either of the PRIMUX Matrix Switches).



**PRIMUX-RDSW (Front & Back)**

The PRIMUX® Redundancy Switch allows the user to quickly switch over all User Station and Server connections to a back-up PRIMUX VGA KVM Matrix Switch via CAT5 if the main unit fails. The position of a rocker switch determines which PRIMUX matrix switch is used.

## Specifications

### Connectors

- Female RJ45 input/output connectors.

### Power

- Dual AC power
  - If the first power source fails, the unit will automatically, without interruption, switch over to the second power source.
- 110 or 220 VAC at 50 or 60 Hz via IEC connectors. (Country-specific power supply cables included).
- Power consumption: 30W max.

### Cables

- Use CAT5e STP cables to connect the PRIMUX Matrix Switch to the Redundancy Switch (not included).
- Use CAT5/5e/6 UTP cables to connect HA-x Host Adapters and PRIMUX-UZR User Stations to the Redundancy Switch (not included).

### Dimensions

- WxDxH: 4RU 19x12.13x6.94 in (483x308x176 mm)

### Environmental

- Operating temperature: 32° to 100°F (0° to 38°C).
- Storage temperature: -20° to 140°F (-30° to 60°C).
- Operating and Storage Relative Humidity: 17 to 90% non-condensing RH.

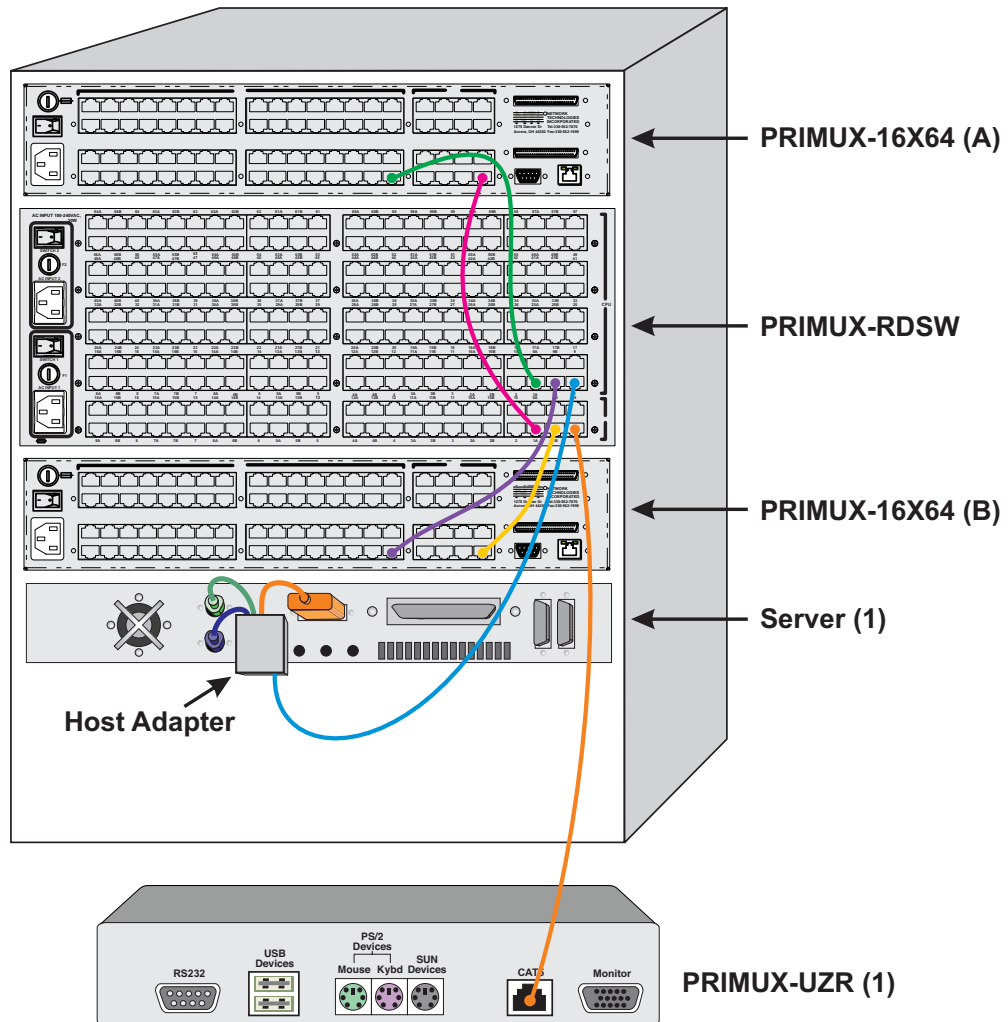
### Warranty

- Two years

## Switch all PRIMUX VGA KVM Matrix Switches, User Stations, and Server Connections to a Backup Unit

### Configuration and Cable Illustration

#### How to Set Up Two PRIMUX Matrix Switches with the PRIMUX-RDSW



Each pair of color spots represents a separate CAT5 cable connection; e.g. orange to orange is a CAT5 cable connection.

- Orange: User Station 1 → PRIMUX-RDSW User Connector 1.
- Pink: PRIMUX (A) User Connector 1 → PRIMUX-RDSW User Connector 1A.
- Yellow: PRIMUX (B) User Connector 1 → PRIMUX-RDSW User Connector 1B.
- Blue: Server 1 → PRIMUX-RDSW CPU Connector 1.
- Green: PRIMUX (A) CPU Connector 1 → PRIMUX-RDSW CPU Connector 1A.
- Purple: PRIMUX (B) CPU Connector 1 → PRIMUX-RDSW CPU Connector 1B.