

USB 2.0 Extender via CAT5: Extend to 328 Feet

XTENDEX®

Extend one USB 2.0 device up to 328 feet (100 meter)

- Extend self-powered and/or bus-powered USB peripheral devices (security cameras, printer, scanner, keyboard, etc.).
- Extend up to 656 feet (200 meter) by using two CAT5e/6 cables to connect the extender to an Ethernet switch.
 - The local unit connects to the Ethernet switch using a single CATx cable up to 328 feet (100 meter). The remote unit extends from the Ethernet switch using a separate CATx cable up to 328 feet (100 meter).
- Transparent data extension.
- Supports high-speed (51 Mbps), full-speed (12 Mbps), or low-speed (1.5 Mbps) USB devices.
- Compliant with USB 2.0 specifications.
- Supports Plug-n-Play specification.



XTENDEX® USB2-C5-1LC (Remote Unit, Front & Back)

The XTENDEX® USB 2.0 Extender extends one USB device up to 328 feet (100 meter) using CAT5e/6 cable. Each extender consists of a local unit that connects to a computer, and a remote unit that connects to a USB device. The local and remote units are interconnected via CAT5e/6 cable.

Specifications

Local Unit

- One male USB Type A connector on attached 5.9-inch (150-mm) cable
- Compatible with PCs or laptops (Windows XP/Vista/7 (64)/8/10).
 - Supports 32- and 64-bit operating systems, except with Windows 7 (only 64-bit supported).

Remote Unit

- One female USB Type A connector.
- Supports high-speed (51 Mbps), full-speed (12 Mbps), or low-speed (1.5 Mbps) USB devices.
- Supports self-powered and/or bus-powered USB devices.

Power

- Local unit: powered from remote unit via CAT5e/6 cable.
- Remote unit: 100 to 240 VAC at 50 or 60 Hz via AC adapter (US AC adapter included).
 - Optional universal power plug adapters available (not included).

Dimensions

- Local unit: 1.18x3.19x0.83 (30x81x21 mm).
- Remote unit: 2.01x2.09x0.91 (51x53x23 mm).

Regulatory Approvals:

- CE, RoHS

Warranty

- Two years

Package Includes

- USB Extender (local and remote unit)
- User manual
- US AC adapter
- CD with installation drivers

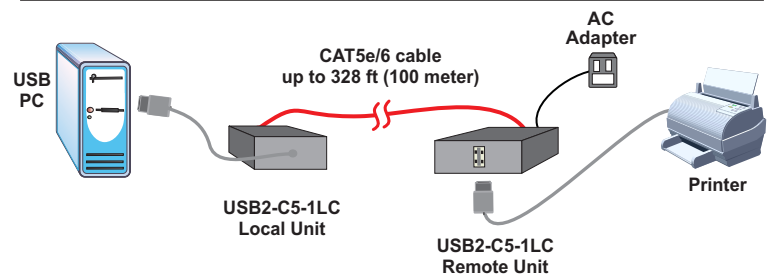
Max Distance

- 328 feet (100 meters) over one CAT5e/6 cable.
- 656 feet (200 meters) over two CAT5e/6 cable.

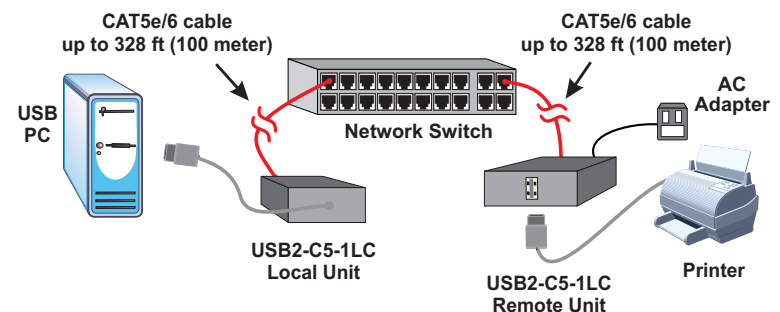
Cables

- Use CAT5e/6 UTP straight through cable for TIA/EIA-568B wiring terminated with standard RJ45 connectors (not included) to extend up to 328 feet (100 meter).
- Extend up to 656 feet (200 meter) by using two CAT5e/6 cables to connect the extender to an Ethernet switch.
 - The local unit connects to the Ethernet switch using a single CATx cable up to 328 feet (100 meter). The remote unit extends from the Ethernet switch using a separate CATx cable up to 328 feet (100 meter).

Configuration and Cable Illustration



USB 2.0 Extender via CAT5: Extend to 328 Feet (100 meter)



USB 2.0 Extender via CAT5: Extend to 656 Feet (200 meter) with a Network Switch