

1-Port USB 3.0 Extender via Two LC Fiber Optic Cables – No Drivers Required – Multiplatform Support

XTENDEX®

Extend one USB 3.0 device up to 1,148 feet (350 meters) using a duplex LC singlemode or multimode fiber optic cable

- Supports fully transparent USB 3.0 connection – compatible with USB computers (Windows 7/8/8.1/10, Mac OS, Linux) and their associated peripherals.
- Signal transmission up to 1,148 feet (350 meters) via a two-strand LC fiber optic cable.
 - USB3ONLY-2FOLC9: For 9-micron singlemode fiber.
 - USB3ONLY-2FOLC50-: For 50-micron OM3 (and above) multimode fiber.
- Compliant with USB 3.0 specifications.
 - **Not backwards compatible with USB 2.0/1.1.**
 - Supports super-speed (5 Gbps) USB devices (flash drives, external hard drives, portable monitors, smartphones/tablets with USB 3.0 Type-C port, etc.).
- Supports full 900mA current.
- Supports Plug-n-Play specification.
- Low RFI/EMI for sensitive applications.
- No drivers required.
- Cables can be installed in conduit prior to extender installation.



USB3ONLY-2FOLCx (Remote and Local Units)

- **Supports USB 3.0 devices only.**
- **Choose between singlemode or multimode models.**
- **No drivers required.**
- **Compatible with Windows 7/8/8.1/10, Mac OS, Linux.**

The XTENDEX® 1-Port USB 3.0 Extender via Fiber Optic Cable extends one USB 3.0 device up to 1,148 feet (350 meters) using a duplex LC singlemode or multimode fiber optic cable. Each extender consists of a local unit that connects to a computer, and a remote unit that connects to a USB 3.0 device. The local and remote units are interconnected via two-strand LC singlemode or multimode fiber optic cable.

Specifications

Local Unit

- One female USB 3.0 Type Micro B connector.
- Two female LC fiber optic ports.
 - USB3ONLY-2FOLC9: For 9-micron singlemode fiber.
 - USB3ONLY-2FOLC50-: For 50-micron OM3 (and above) multimode fiber.
 - The SFP module is not removable; it cannot be replaced with a different SFP module.
- Compatible with USB computers (Windows 7/8/8.1/10, Mac OS, Linux).

Remote Unit

- One female USB 3.0 Type A connector.
- Two female LC fiber optic ports.
 - USB3ONLY-2FOLC9: For 9-micron singlemode fiber.
 - USB3ONLY-2FOLC50-: For 50-micron OM3 (and above) multimode fiber.
 - The SFP module is not removable; it cannot be replaced with a different SFP module.
- Supports super-speed (5 Gbps) USB 3.0 devices.
 - **Not backwards compatible with USB 2.0/1.1.**

Power

- Local unit: powered from attached computer.
- Remote unit:
 - Input: 100 to 240 VAC at 50 or 60 Hz via AC adapter.
 - Output: 5VDC, 3A
 - USB port supports full 900mA current.

Dimensions

- Local and remote unit WxDxH: 2.24x4.13x1.1 in (57x105x28 mm)

Environmental

- Operating temperature: 32 to 122°F (0 to 50°C).
- Storage temperature: -4 to 158°F (-20 to 70°C).
- Operating relative humidity: 20 to 80% non-condensing RH.
- Storage relative humidity: 10 to 90% non-condensing RH

Max Distance

- 1,148 feet (350 meters) over a duplex LC fiber optic cable.

Cables

- USB3ONLY-2FOLC9: Use a duplex LC 9µm singlemode fiber optic cable to extend the receiver from the transmitter up to 1,148 feet (350 meters). (Cable not included.)
- USB3ONLY-2FOLC50-: Use a duplex LC 50µm OM3 (and above) multimode fiber optic cable to extend the receiver from the transmitter up to 1,148 feet (350 meters). (Cable not included.)
- 1.77 ft (540 mm) male USB 3.0 Type A to male USB 3.0 Type Micro B interface cable included.

Regulatory Approvals

- CE, FCC, RoHS
- TAA compliant

Package Includes

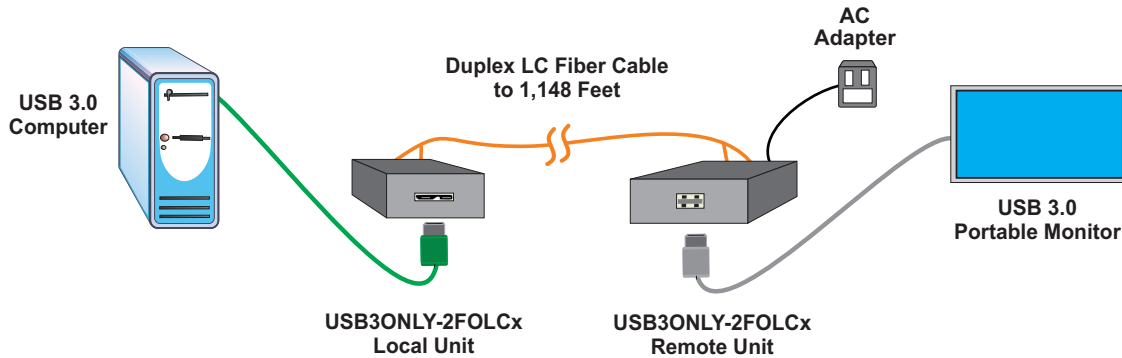
- One transmitter unit
- One receiver unit
- One power supply
- One 1.77 ft (540 mm) USB 3.0 Type A to USB 3.0 Type Micro B cable

1-Port USB 3.0 Extender via Two LC Fiber Optic Cables – No Drivers Required – Multiplatform Support

XTENDEX®

Extend one USB 3.0 device up to 1,148 feet (350 meters) using a duplex LC singlemode or multimode fiber optic cable

Configuration and Cable Illustration



- = USB3ONLY-2FOLC9 Uses 9 μm Singlemode
- = USB3ONLY-2FOLC50 Uses 50 μm (OM3 or above) Multimode
- = USB 3.0 Type A to USB 3.0 Type Micro B Male-to-Male Cable (Included)

Note: Not backwards compatible with USB 2.0/1.1

1-Port USB 3.0 Extender via Two LC Fiber Optic Cables up to 1,148 Feet

NTI Part #	Fiber Type
USB3ONLY-2FOLC50	50-Micron OM3 (and above) Multimode
USB3ONLY-2FOLC9	9-Micron Singlemode